

- Steel Wall Mount Enclosures p10-1
- Stainless Steel Wall Mount Enclosures p10-4
- Steel Terminal Boxes p10-5
- GRP and Plastic Enclosures p10-6
- Floor Standing Enclosures p10-7
- Junction Boxes p10-10
- Climate Control p10-13
- Terminals p10-16
- Cable Glands p10-17



E- KABIN O Series Monoblock Enclosure Single Door



O Series Single Door

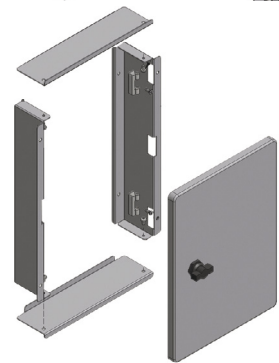
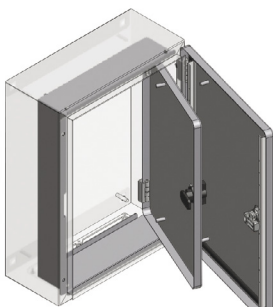
- Galvanized steel sheet
- Cabinet thickness:
 - 1 mm from 250x200 to 800x800mm cabinets.
 - 1.5mm from 900x600 to 1000x800mm and 1200x600 to 1200x800 cabinets.
 - 2 mm from 1000x1000 to 1200x1200 cabinets.
- Door thickness
 - 1 mm from 250x200 to 800x800mm and 900x600 to 1000x600 cabinets.
- Epoxy-polyester powder paint RAL 7035 wrinkled as standard, 60 - 80 µ.
- Polyurethane Sealing Gasket
- Standard Supply Contents
 - wall mounting brackets for all sizes
 - earthing continuity cable for all sizes
 - embedded plastic lock type for single doors
 - swing handle with rod mechanism for overlapping doors
 - bottom gland plate for all sizes
 - galvanized 1.5 mm mounting plate
- Protection IP66 (single door), IP54 (double door)
- Standard door opening 125°, the door can be opened 180° with the optional hinge set
- Optional glazed door, inner door, plinth, plan pocket, castor.
- Type-Tested acc. to IEC 62208-1/2 (KEMA -DEKRA)

Order Code	Dimensions (mm)	No. of locks	Mounting Plate Dimensions (mm)	Weight (kg)
19E0252015D	250H x 200W x 150D	1	201 x 151	3.11
19E0302015D	300H x 200W x 150D	1	251 x 151	3.80
19E0302515D	300H x 250W x 150D	1	251 x 181	3.91
19E0303015D	300H x 300W x 150D	1	223.6 x 223.6	5.30
19E0303020D	300H x 300W x 200D	1	223.6 x 223.6	5.67
19E0304015D	300H x 400W x 150D	1	223.6 x 323.6	6.26
19E0304020D	300H x 400W x 200D	1	223.6 x 323.6	6.98
19E0403015D	400H x 300W x 150D	1	323.6 x 223.6	6.25
19E0403020D	400H x 300W x 200D	1	323.6 x 223.6	6.86
19E0404015D	400H x 400W x 150D	1	323.6 x 323.6	7.87
19E0404020D	400H x 400W x 200D	1	323.6 x 323.6	8.53
19E0404025D	400H x 400W x 250D	1	323.6 x 323.6	9.20
19E0406020D	400H x 600W x 200D	1	323.6 x 523.6	10.02
19E0406025D	400H x 600W x 250D	1	323.6 x 523.6	12.03
19E0504015D	500H x 400W x 150D	1	423.6 x 323.6	7.88
19E0504020D	500H x 400W x 200D	1	423.6 x 323.6	10.14
19E0505020D	500H x 500W x 200D	1	423.6 x 423.6	10.77
19E0505025D	500H x 500W x 250D	1	423.6 x 423.6	11.00
19E0507020D	500H x 700W x 200D	1	423.6 x 623.6	11.32
19E0604020D	600H x 400W x 200D	1	523.6 x 323.6	11.69
19E0604025D	600H x 400W x 250D	1	523.6 x 323.6	13.10
19E0604030D	600H x 400W x 300D	1	523.6 x 323.6	13.57
19E0605020D	600H x 500W x 200D	1	523.6 x 423.6	13.91
19E0605030D	600H x 500W x 300D	1	523.6 x 423.6	14.52
19E0606020D	600H x 600W x 200D	1	523.6 x 523.6	15.32
19E0606030D	600H x 600W x 300D	1	523.6 x 523.6	16.03
19E0608030D	600H x 800W x 300D	1	523.6 x 723.6	17.54
19E0705020D	700H x 500W x 200D	2	623.6 x 423.6	17.06
19E0705025D	700H x 500W x 250D	2	623.6 x 423.6	17.84
19E0804025D	800H x 400W x 250D	2	723.6 x 323.6	18.90
19E0806020D	800H x 600W x 200D	2	723.6 x 523.6	20.39
19E0806025D	800H x 600W x 250D	2	723.6 x 523.6	21.60
19E0806030D	800H x 600W x 300D	2	723.6 x 523.6	22.81
19E0806040D	800H x 600W x 400D	2	723.6 x 523.6	23.65
19E0808025D	800H x 800W x 250D	2	723.6 x 723.6	25.02
19E0808040D	800H x 800W x 400D	2	723.6 x 723.6	26.17
19E01008025D	1000H x 800W x 250D	2	923.6 x 723.6	40.22
19E01008030D	1000H x 800W x 300D	2	923.6 x 723.6	41.05
19E01008040D	1000H x 800W x 400D	2	923.6 x 723.6	47.60
19E01208030D	1200H x 800W x 300D	2	1123.6 x 923.6	51.19
19E01208040D	1200H x 800W x 400D	2	1123.6 x 923.6	55.61

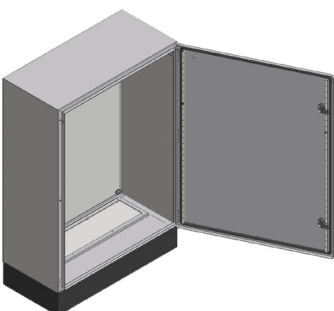
E- KABIN O Series Monoblock Enclosure Overlapping Door



O Series Double Door



O series with inner door kit installed



Plinth

Double door enclosures IP54

Order Code	Dimensions (mm)	No. of locks	Mounting Plate Dimensions (mm)	Weight (kg)
19E08010030D	800H x 1000W x 300D	1 point	723.6 x 923.6	50.42
19E08012040D	800H x 1200W x 400D	1 point	723.6 x 1123.6	56.23
19E010010030D	1000H x 1000W x 300D	1 point	923.6 x 923.6	64.80
19E010010040D	1000H x 1000W x 400D	1 point	923.6 x 923.6	66.03
19E012010030D	1200H x 1000W x 300D	1 point	1123.6 x 923.6	76.15
19E012010040D	1200H x 1000W x 400D	1 point	1123.6 x 923.6	81.90
19E014010040D	1400H x 1000W x 400D	1 point	1323.6 x 1123.6	100.5

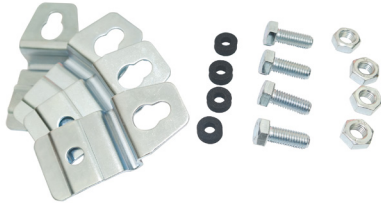
Inner Door Kits for single door O series enclosures

Order Code	Dimensions (mm)	Enclosure Size
19E00B10060	1000H x 600W	EO 100 60 20 / EO 100 60 25 / EO 100 60 30
19E00B10070	1000H x 700W	EO 100 70 20 / EO 100 70 25 / EO 100 70 30 / EO 100 70 40
19E00B10080	1000H x 800W	EO 100 80 30 / EO 100 80 40
19E00B12060	1200H x 800W	EO 120 80 20 / EO 120 80 30 / EO 120 80 40
19E00B12080	1000H x 800W	EO 100 80 30 / EO 100 80 40
19E00B4040	400H x 400W	EO 40 40 20
19E00B5035	500H x 350W	EO 50 35 15 / EO 50 35 20
19E00B5040	500H x 400W	EO 50 40 20
19E00B6040	600H x 400W	EO 60 40 25 / EO 60 40 20 / EO 60 40 30
19E00B6050	600H x 500W	EO 60 50 20 / EO 60 50 30
19E00B6060	600H x 600W	EO 60 60 20 / EO 60 60 25
19E00B7050	700H x 500W	EO 70 50 20 / EO 70 50 30
19E00B8060	800H x 600W	EO 80 60 20 / EO 80 60 25 / EO 80 60 30
19E00B8080	800H x 800W	EO 80 80 30

Plinth for O series enclosures

Order Code	Dimensions (mm)	Enclosure Size
19E0BZ6030	600W x 300D	EO 60 60 30 / EO 80 60 30
19E0BZ8030	800W x 300D	EO 60 80 30 / EO 100 80 30 / EO 120 80 30
19E0BZ10030	1000W x 300D	EO 100 100 30 / EO 120 100 30
19E0BZ10040	1000W x 400D	EO 100 100 40 / EO 120 100 40 / EO 140 100 40

E- KABIN O Series Monoblock Enclosures Accessories



Bracket Set

Bracket Set

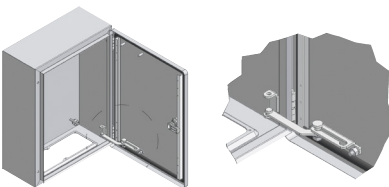
Order Code	Description
19EGEBS	Wall mounting bracket (4pcs)



Locks

Locks

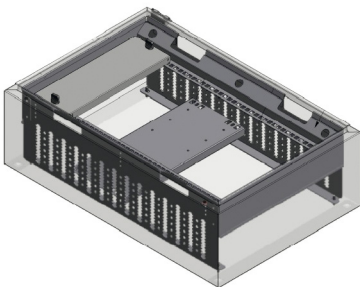
Order Code	Description
19EOKT01	Double bit 3mm lock (standard)
19EOKT12	Cylinder quarter turn lock
19EOKT13	Padlockable lock



Door Stop Set

Door Stop Sets

Order Code	Description
19EMKST	Door opening 90°



DAS (Depth adjustment system)

DAS (Depth adjustment system)

Order Code	Description
19EO DS 252015 / 19EO DS 302015 19EO DS 302515 / 19EO DS 304015 19EO DS 403015 / 19EO DS 504015	Depth Adjustment Kit 150mm
19EO DS 303020 / 19EO DS 304020 19EO DS 403020 / 19EO DS 404020 19EO DS 406020 / 19EO DS 504020 19EO DS 505020 / 19EO DS 705020 19EO DS 604020 / 19EO DS 604030 19EO DS 605020 / 19EO DS 605030 19EO DS 606020 / 19EO DS 705020 19EO DS 806020	Depth Adjustment Kit 200mm
19EO DS 404025 / 19EO DS 505025 19EO DS 604025 / 19EO DS 705025 19EO DS 804025 / 19EO DS 806025 19EO DS 808025 / 19EO DS 1008025	Depth Adjustment Kit 250mm
19EO DS 605030 / 19EO DS 604030 19EO DS 606030 / 19EO DS 608030 19EO DS 806030 / 19EO DS 1008030 19EO DS 1208030	Depth Adjustment Kit 300mm
19EO DS 808040 / 19EO DS 806040 19EO DS 1008040 / 19EO DS 1208040	Depth Adjustment Kit 400mm

E- KABIN X Series Stainless Steel Monoblock Enclosures



X Series

- 316 stainless steel (304 optional)
- Corrosion resistant Zamak hinges and locking
- Cabinet thickness:
 - 1.2mm from 250x200 to 600x600mm cabinets.
 - 1.5mm from 600x600 to 1400x1000mm
- Door thickness
 - 1.2mm from 250x200 to 600x600mm cabinets.
 - 1.5mm from 600x600 to 1400x1000mm
- Protection IP66 (single door), IP54 (double door)
- Galvanized 1.5 mm steel mounting plate
- Reversible doors with 125° opening
- Optional inner door, canopies (symmetric & asymmetric) and plinth, full height cover plate, post connection set, AISI 304 stainless steel bracket, door stop
- Enclosures supplied complete with mounting plate
- Polyurethane Sealing Gasket
- Plastic double bit lock type (standard) and AISI 304 or AISI 316 SS lock type (optional)

Order Code	Dimensions (mm)	No. of locks	Mounting Plate Dimensions (mm)	Weight (kg)
19EX 30 20 15 D	300H x 200W x 150D	1	223.6 x 123.6	4.12
19EX 40 30 15 D	400H x 300W x 150D	1	323.6 x 223.6	6.88
19EX 40 30 20 D	400H x 300W x 200D	1	323.6 x 223.6	7.49
19EX 40 40 20 D	400H x 400W x 200D	1	323.6 x 323.6	9.28
19EX 40 40 25 D	400H x 400W x 250D	1	323.6 x 323.6	10.01
19EX 40 60 20 D	400H x 600W x 200D	1	323.6 x 523.6	10.82
19EX 50 40 20 D	500H x 400W x 200D	1	423.6 x 323.6	11.07
19EX 50 50 25 D	500H x 500W x 250D	1	423.6 x 423.6	12.01
19EX 60 40 20 D	600H x 400W x 200D	1	523.6 x 423.6	12.78
19EX 60 40 25 D	600H x 400W x 250D	1	523.6 x 423.6	18.8
19EX 60 60 25 D	600H x 600W x 250D	1	523.6 x 523.6	19.21
19EX 60 60 30 D	600H x 600W x 300D	1	523.6 x 523.6	20.91
19EX 80 60 25 D	800H x 600W x 250D	2	723.6 x 523.6	24.13
19EX 80 60 30 D	800H x 600W x 300D	2	723.6 x 523.6	25.05
19EX 80 80 30 D	800H x 800W x 300D	2	723.6 x 723.6	27.06
19EX 100 80 30 D	1000H x 800W x 300D	2	923.6 x 723.6	38.11

Accessories and Spare Parts



EG KT 11



EX KT 13



Bracket



Order Code	Description
19EGKT11	Quarter-Turn Lock (standard)
19EXKT13	316 Stainless Steel Lock Set
19EXBKT	304 Stainless Steel Bracket Set

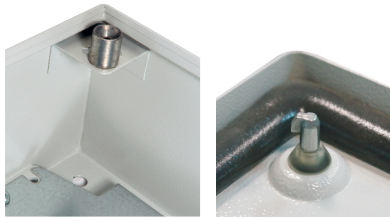
E- KABIN T Series Terminal Boxes



T Series

- Cabinet thickness 1,5 mm
- Protection IP67
- Epoxy polyester powder paint RAL 7035 60 - 80 µ.
- Galvanized 1 mm steel mounting plate
- M6 earth connection bolt on cover
- 120 mm depth size
- 270° turn fastening screws
- Wall mounting bracket included

Order Code	Dimensions (mm)	Mounting Plate Dimensions (mm)	Weight (kg)
19ET 20 20	H200 x W200 x D120	188x188x77	2.5
19ET 20 30	H200 x W300 x D120	188x288x77	3.2
19ET 20 40	H200 x W400 x D120	188x388x77	3.8
19ET 30 30	H300 x W300 x D120	288x288x77	4.3
19ET 30 40	H300 x W400 x D120	288x388x77	5.2
19ET 40 40	H400 x W400 x D120	388x388x77	6.6



270° turn fastening screws

E- KABIN XT Series Stainless Steel Terminal Boxes



XT Series

- Cabinet thickness 1 mm
- AISI 316 stainless steel (AISI 304 stainless steel optional)
- Protection IP67
- Galvanized 1 mm steel mounting plate
- M6 earth connection bolt on cover
- 120 mm depth size
- 270° turn fastening screws

Order Code	Dimensions (mm)	Mounting Plate Dimensions (mm)	Weight (kg)
19XT 20 20	H200 x W200 x D120	188x188x77	1.4
19XT 20 30	H200 x W300 x D120	188x288x77	2.7
19XT 20 40	H200 x W400 x D120	188x388x77	3.1
19XT 30 30	H300 x W300 x D120	288x288x77	3.8
19XT 30 40	H300 x W400 x D120	288x388x77	5.2
19XT 40 40	H400 x W400 x D120	388x388x77	6.1

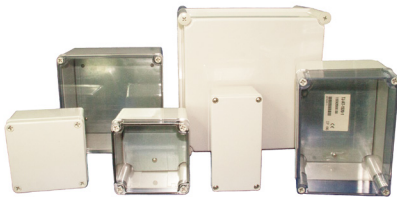
TIP series GRP enclosures



- Self-extinguishing, high impact resistant glass reinforced polyester colour RAL9002
- Corrosion and chemical resistant
- Corrosion resistant Zamak hinges
- Galvanised mounting plate
- IP65
- Temperature range -30 to +120°C
- Enclosures supplied complete with mounting plate and mounting hardware.

Order Code	Dimensions (mm)	Mounting Plate Dimensions (mm)	Weight (kg)
16STIP325	300H x 250W x 140D	263 x 201	2.30
16TIP43	400H x 300W x 200D	353 x 245	3.85
16TIP44	400H x 400W x 200D	349 x 345	4.90
16TIP54	500H x 400W x 200D	453 x 345	5.70
16TIP64	600H x 400W x 230D	553 x 345	7.95
16TIP65	600H x 500W x 230D	553 x 447	8.90
16TIP86	800H x 600W x 300D	749 x 540	14.00

ABS Enclosures



- Self-extinguishing ABS and polycarbonate (larger enclosures with glass reinforcement)
- Corrosion and chemical resistant
- Grey or clear cover
- Galvanised mounting plate IP66
- Temperature range -40 to +80°C
- Enclosures supplied complete with mounting plate.

Order Code	Dimensions (mm)	Cover	Mounting Plate Dimensions (mm)
16TJAG0811	80W x 110H x 70D	grey	68 x 92
16TJAT0811	80W x 110H x 70D	clear	68 x 92
16TJAG0816	80W x 160H x 70D	grey	67 x 147
16TJAT0816	80W x 160H x 70D	clear	67 x 147
16TJAG1212	125W x 125H x 100D	grey	112 x 112
16TJAT1212	125W x 125H x 100D	clear	112 x 112
16TJAG1520	150W x 200H x 100D	grey	135 x 189
16TJAT1520	150W x 200H x 100D	clear	135 x 189
16TJAG15201	150W x 200H x 130D	grey	135 x 189
16TJAT15201	150W x 200H x 130D	clear	135 x 189
16TJAG2020	200W x 200H x 130D	grey	180 x 180
16TJAT2020	200W x 200H x 130D	clear	180 x 180
16TJAG2819	280W x 190H x 130D	grey	260 x 160
16TJAT2819	280W x 190H x 130D	clear	260 x 160
16TJAG28191	280W x 190H x 180D	grey	260 x 160
16TJAT28191	280W x 190H x 180D	clear	260 x 160
16TJAG2828	280W x 280H x 130D	grey	245 x 245
16TJAT2828	280W x 280H x 130D	clear	245 x 245
16TJAG28281	280W x 280H x 180D	grey	245 x 245
16TJAT28281	280W x 280H x 180D	clear	245 x 245
16TJAG34281	340W x 280H x 180D	grey	300 x 245
16TJAT34281	340W x 280H x 180D	clear	300 x 245
16TJAG38281	380W x 280H x 180D	grey	345 x 245
16TJAT38281	380W x 280H x 180D	clear	345 x 245

E- KABIN S Series Floor Standing Electrical Enclosures

- E-Kabin S Series electrical enclosures are designed for use in indoor installations. Their simple design provides functionality and economic solutions for different applications.
- All external panels are made of pregalvanized sheet steel and then electrostatic powder painted, providing a high degree of corrosion resistance.



Specifications:

Height: 1800, 2000 and 2200mm
Width : 400 ~1200mm
Depth: 400 ~ 800mm

Modular design allows for front or rear doors and includes corner modules. All modules are supplied complete with 100mm plinth.

Features:

Place of use: Indoor
Protection: IP55 indoor use
Framework: 2 mm galvanized steel sheet, painted

Paint: Epoxy-polyester powder paint RAL 7035 (std)

Impact test: IK10 (even with the glazed door)

High resistance against corrosion
Swing handle with 4 point locking system

Standards : IEC 61439-1, IEC 62208, IEC 60529, IEC 62262

For further information visit our website
www.mechtric.com.au

Accessories and Internal Mounting Elements



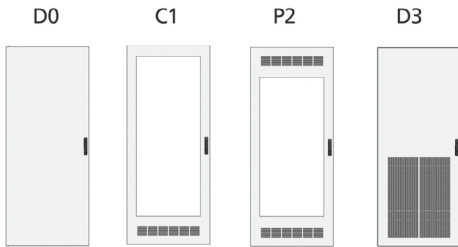
- Partial mounting plate and full mounting plate
- Plinth set, 2 mm thick pregalvanized sheet steel, RAL 9005
- Separation options for power distribution applications
- Internal mounting elements
- Sliding holder accessories mounting plate
- Special mounting rails
- Fixing sets
- Front cover plates and full height cover plates
- Divider Rails (horizontal and vertical)
- Partial doors availability

E- KABIN S Series Floor Standing Electrical Enclosures

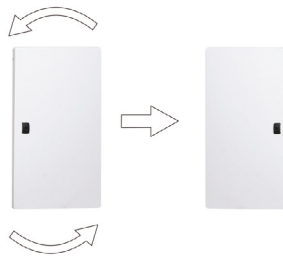
- High combination availability and flexibility
- Alternative Door Design Options:
Useful ventilation grill on door (none, bottom, bottom and top, bottom large)
- 4 mm tempered glass for glazed door options
- Overlapping doors available
- Polyurethane Sealing Gasget
- Bi-directional Door
- Interior Panel Lighting Fixture (KabinLED)
- Fan module on top with fan
- Fan and filter unit availability
- Plan pocket, laptop table, baying kit, lifting eyebolts.
- Modular Bottom Plate Arrangement



Sealing Gasget



Door Options



Bi-directional Door



KabinLED



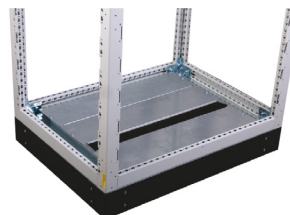
Fan Module



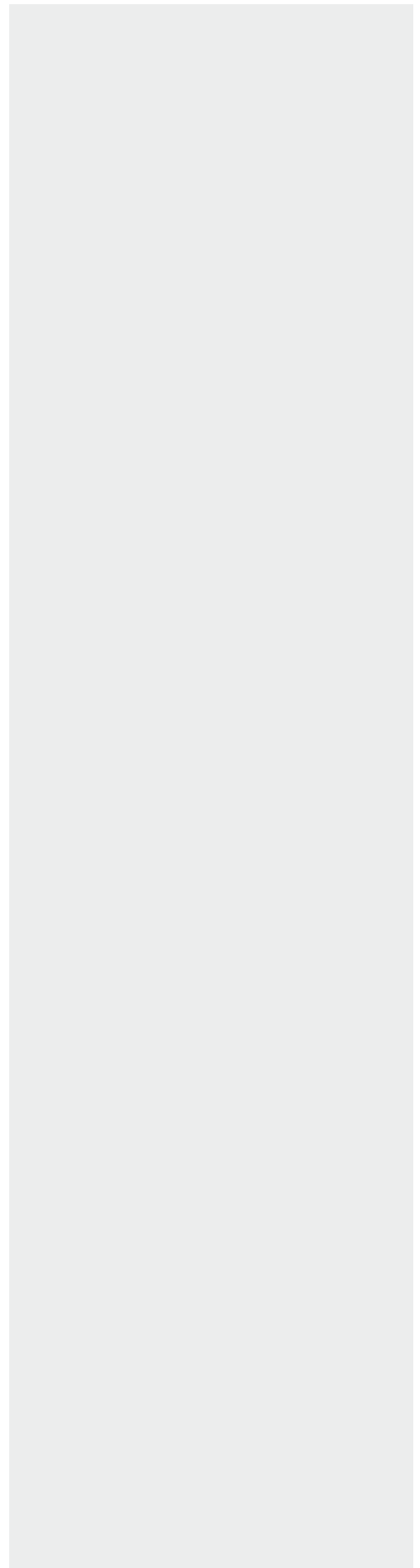
Ventilation Module



Lap-top Holder

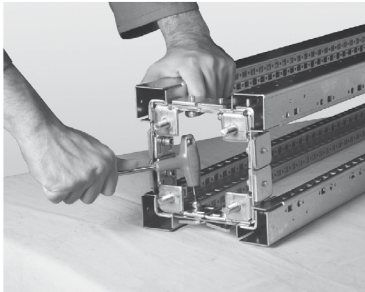


Modular Bottom Plate

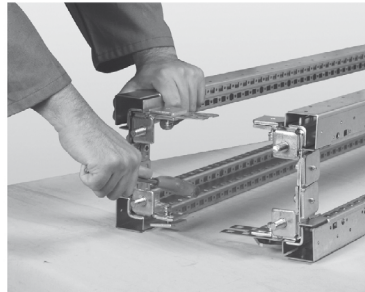


E- KABIN S Series Floor Standing Electrical Enclosures

- Easy Mounting and Prefabricated Modular Body One enclosure framework including plinth and roof panel can be assembled by two personnel in 15 minutes.
- Flatpack Delivery



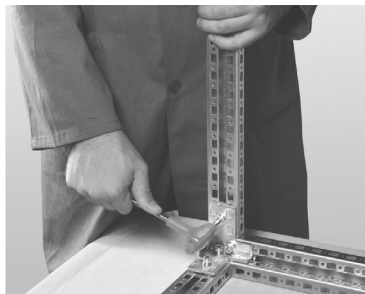
①



②



③

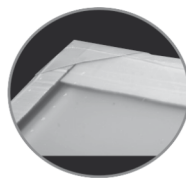


④

Assembly steps



Flat Pack Module Set

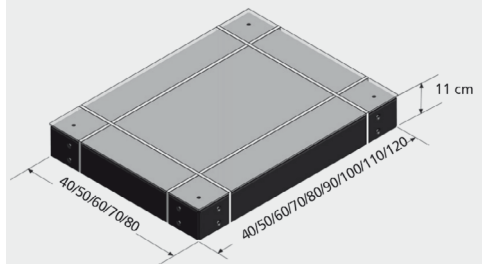


Fixed Panel

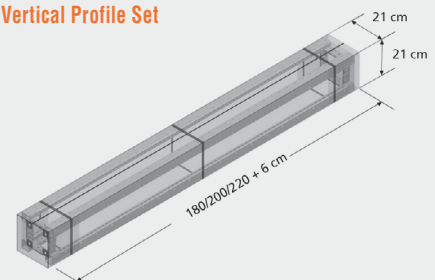


Front Door

Module Set



Vertical Profile Set



KLIK-LOK Junction Boxes



- Reinforced engineering plastic
- Available in 2 sizes
- 5-Way box with 4 side entries:
 - 2 Side entries blanked off with plugs.
 - 2 Open side entries &
 - 1 Drillable bottom entry.
- Black or transparent lid.
- "Click Lock" lid design.
- Lid security lug
- Impact resistant and corrosion free
- Protection IP68
- Cranked terminal rail
- Boxes supplied without cable glands.
- Optional Ex e II T6, Ex tD A21 IECEx approved versions. Maximum no. of terminals that can be fitted on rail (including end plates and end stops.)

Box Size	Terminal Size and Quantity					
	TB2.5 24A	TB4 32A	TB6 41A	TB10 57A	TB16 76A	TB35 125A
1	7	7	5	4	NA	NA
2	14	12	8	6	5	4

Order Code	Box Size	Dimensions (mm) (Ø x h)	Lid	Usable Space (mm) (Ø x h)	Cable Entry's*	Weight (kg)
PR57284	No. 1	119.5 x 86.5	Black	99 x 66	M20 x 1.5	0.33
PR57285	No. 1	119.5 x 86.5	Transparent	99 x 66	M20 x 1.5	0.33
PR57286	No. 2	149.0 x 110.5	Black	120 x 89	M25 x 1.5	0.55
PR57287	No. 2	149.0 x 110.5	Transparent	120 x 89	M25 x 1.5	0.55

* Boxes are designed to be fitted with Pratley cable glands

Accessories



Klik-Lok Ex e

Order Code	Box Size	Description
PR57292	No. 1	Blanking plugs M20
PR57293	No. 2	Blanking plugs M25
PR57290	No. 2	Reducing locknut 25 to 16mm
PR57291	No. 2	Reducing locknut 25 to 20mm

EZEE-FIT Junction Boxes



Ezee-Fit Standard

- Reinforced engineering plastic
- Available in 5 sizes with 2, 3 or 4 entries in different configurations
- Black or optional transparent lid
- Orange can be supplied on request subject to minimum order quantity
- Lid security lug
- Impact resistant and corrosion free
- Stainless steel screws
- Internal earth stud
- Encapsulated earth bar ensures continuity to all entries
- Protection IP68
- Boxes supplied complete with cable glands
- Optional Ex e II T6, Ex tD A21 IECEx approved versions. Maximum no. of terminals that can be fitted on rail (including end plates and end stops.)



Ezee-Fit Ex e

Box Size	Terminal Size and Quantity					
	TB2.5 24A	TB4 32A	TB6 41A	TB10 57A	TB16 76A	TB35 125A
0	9	7	NA	NA	NA	NA
1	10	9	NA	NA	NA	NA
2	16	13	10	7	NA	NA
3	23	19	15	11	7	5
4	24	21	15	12	8	5

Order Code	Box Size	Dimensions (mm) (Ø x h)	Usable Space (mm) (Ø x h)	Cable Entry's*	Weight (kg)
PR56200	No. 0	97 x 62	89 x 46.5	2 x M20 – through box 180°	0.48
PR56202	No. 0	97 x 62	89 x 46.5	3 x M20 – “T” box	0.54
PR56204	No. 0	97 x 62	89 x 46.5	4 x M20 – 90°	0.59
PR56206	No. 1	106.2 x 75.6	98 x 49.9	2 x M25 – through box 180°	0.80
PR56208	No. 1	106.2 x 75.6	98 x 49.9	3 x M25 – “T”	0.90
PR56212	No. 1	106.2 x 75.6	98 x 49.9	4 x M25 – 90°	1.03
PR56210	No. 1	106.2 x 75.6	98 x 49.9	3 x M25 – “Y”	0.95
PR56214	No. 2	130.2 x 104.4	123 x 76.6	2 x M32 – through box 180°	1.37
PR56216	No. 2	130.2 x 104.4	123 x 76.6	3 x M32 – “T”	1.58
PR56220	No. 2	130.2 x 104.4	123 x 76.6	4 x M32 – 90°	1.79
PR56218	No. 2	130.2 x 104.4	123 x 76.6	3 x M32 – “Y”	1.65
PR56222	No. 2	130.2 x 104.4	123 x 76.6	4 x M32 – “H”	1.85
PR56224	No. 3	171.4 x 132.9	165.4 x 110.1	2 x M40 – through box 180°	2.04
PR56226	No. 3	171.4 x 132.9	165.4 x 110.1	3 x M40 – “T”	2.37
PR56230	No. 3	171.4 x 132.9	165.4 x 110.1	4 x M40 – 90°	2.71
PR56228	No. 3	171.4 x 132.9	165.4 x 110.1	3 x M40 – “Y”	2.42
PR56232	No. 4	217.4 x 145.2	204 x 119.2	2 x M50 – through box 180°	3.17
PR56234	No. 4	217.4 x 145.2	204 x 119.2	3 x M50 – “T”	3.69
PR56236	No. 4	217.4 x 145.2	204 x 119.2	4 x M50 – 90°	4.11

* Boxes are supplied with built in cable glands

Accessories



Reducing Gland

Order Code	Box Size	Description
PR61080	No. 0	Blanking plugs nickel plated brass M20
PR61081	No. 1	Blanking plugs nickel plated brass M25
PR61082	No. 2	Blanking plugs nickel plated brass M32
PR61083	No. 3	Blanking plugs nickel plated brass M40
PR61084	No. 4	Blanking plugs nickel plated brass M50
PR58100	No. 1	Reducing gland 25-20
		Reducing shroud code 35111
PR58200	No. 2	Reducing gland 32-20
		Reducing shroud code 35211
PR58210	No. 2	Reducing gland 32-25
		Reducing shroud code 35211
PR58300	No. 3	Reducing gland 40-20
		Reducing shroud code 35311
PR58310	No. 3	Reducing gland 40-25
		Reducing shroud code 35310
PR58320	No. 3	Reducing gland 40-32
		Reducing shroud code 35311
PR58400	No. 4	Reducing gland 50-20
		Reducing shroud code 35410
PR58410	No. 4	Reducing gland 50-25
		Reducing shroud code 35410
PR58420	No. 4	Reducing gland 50-32
		Reducing shroud code 35411
PR58430	No. 4	Reducing gland 50-40
		Reducing shroud code 35411

ECONO-BOX Junction Boxes



- Reinforced engineering plastic
- Available in 3 sizes with 4 entries
- Bottom entry box with 3 entries includes terminal rail.
- Black or optional transparent lid.
- Orange can be supplied on request subject to min. order quantity.
- Lid security lug
- Impact resistant and corrosion free
- Stainless steel screws
- Internal earth stud.
- Encapsulated earth bar ensures continuity to all entries.
- Protection IP68
- Mounting lugs for DIN rail

Order Code	Box Size	Dimensions (mm) (Ø x h)	Usable Space (mm) (Ø x h)	Cable Entry's*	Weight (kg)
PR57250	No. 0	100 x 78.5	87.8 x 59.6	4 x M20 – 90°	0.20
PR57251	No. 1	110 x 83.4	98 x 66.1	4 x M20 – 90°	0.29
PR57252	No. 2	134 x 98.2	122.5 x 80.1	4 x M25 – 90°	0.44
PR57258	No. 1	105 x 89	102 x 81.7	3 x M20 – bottom entry	0.27

* Boxes are designed to be fitted with Pratley cable glands

Accessories



PR5780

Order Code	Box Size	Description
PR57800	No. 0, 1	Blanking plugs M20
PR57801	No. 2	Blanking plugs M25
PR57290	No. 2	Reducing locknut 25 to 16mm
PR57291	No. 2	Reducing locknut 25 to 20mm

Ventilation



- Flame retardant ABS colour RAL7035
- Available in 6 sizes from 30m³/h to 850m³/h
- 230V 50/60Hz power supply
- IP54
- Operating temperature -10 to +70°C
- Clip on mounting
- Terminal connection (except PFT1000 and PTF1500)
- Thermal overcurrent protection on larger sizes



17PTF1000



17PTF3500



17PTF4500



17PFI1500



17PFF5500



Filter Fans (air in)

Order Code	Air Flow (m ³ /h)	Panel Cutout (mm)	Noise (dB(A))	Power Consumption (W)	Current (A)	Wt (kg)
17PTF1000	30	92 x 92	28	14	0.08	0.40
17PTF1500	100	125 x 125	42	26	0.14	0.68
17PTF2500	115	223 x 223	42	26	0.14	1.18
17PTF3500	240	223 x 223	52	37	0.23	1.60
17PTF4500	650	223 x 223	60	66	0.35	2.84
17PTF5000	850	291 x 291	65	110	0.65	4.12

Filters (air out)

Order Code	Dimensions (mm)	Weight (kg)
17PFI1000	110 x 110 x 20.5	0.10
17PFI1500	160 x 160 x 31	0.18
17PFI2500	260 x 260 x 31	0.48
17PFI3000	325 x 325 x 31	0.70

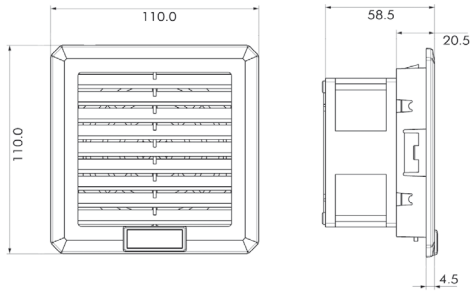
Spare Filter Mats

Order Code	Dimensions (mm)
17PFM1000	Pack of 10 to suit 110 x 110 filter
17PFM1500	Pack of 10 to suit 160 x 160 filter
17PFM2500	Pack of 10 to suit 260 x 260 filter
17PFM3000	Pack of 10 to suit 325 x 325 filter

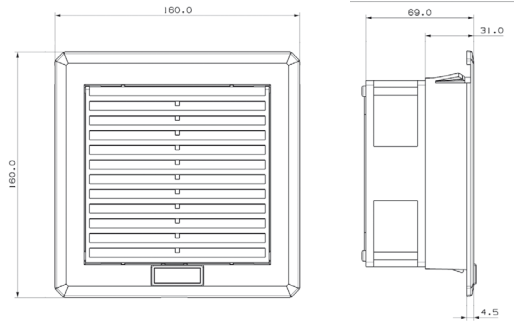
Roof Fans (air out)

Order Code	Air Flow (m ³ /h)	Panel Cutout (mm)	Noise (dB(A))	Power Consumption (W)	Current (A)	Wt (kg)
17PFF5500	560	180 x 180	62	58	0.26	3.16
17PFF6000	970	180 x 180	72	85	0.38	3.74

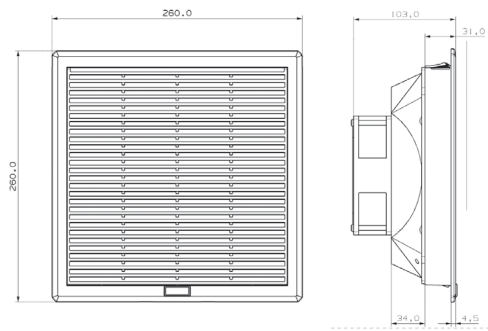
Ventilation Dimensions



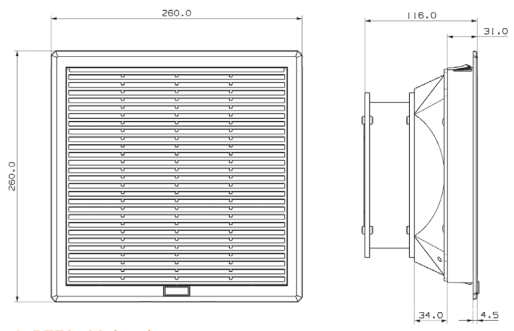
17PTF1000 (mm)



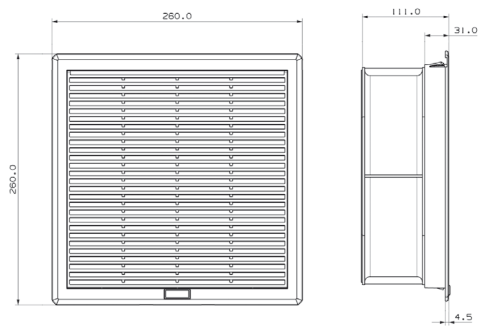
17PTF1500 (mm)



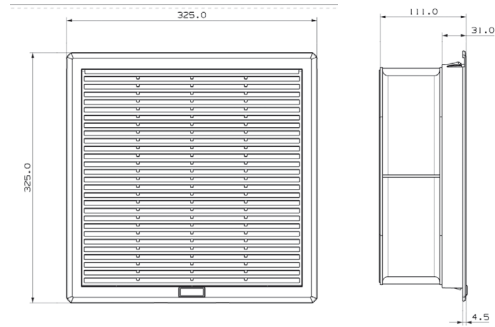
17PTF2500 (mm)



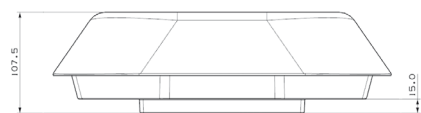
17PTF3500 (mm)



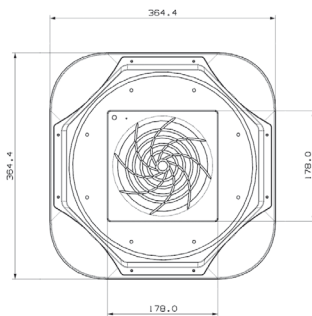
17PTF4500 (mm)



17PTF5000 (mm)

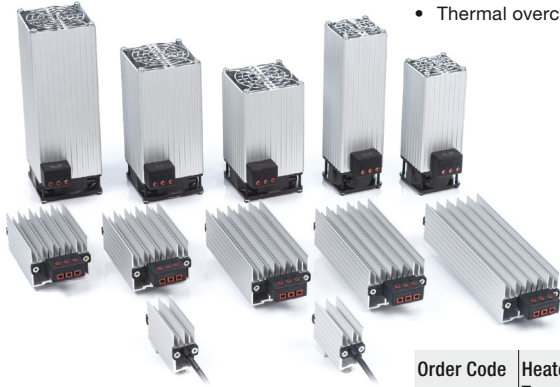


17PFF5500 and 17PFF6000 (mm)



Enclosure Heaters

- Available in 12 sizes from 15W to 750W
- 230V 50/60Hz power supply
- Operating temperature -45 to +70°C
- DIN rail mounting
- Thermal overcurrent protection



17MPHT... 17PHT... 17PFHT...

Order Code	Heater Type	Heating Power (W)	Dimensions (mm)	Max Current (A)	Wt (kg)
17MPHT15	PTC	15	60 x 50 x 27	2.0	0.11
17MPHT25	PTC	25	70 x 50 x 27	2.0	0.12
17PHT030	PTC	30	128 x 70 x 59	2.0	0.41
17PHT050	PTC	50	138 x 70 x 59	2.0	0.44
17PHT100	PTC	100	188 x 70 x 59	4.0	0.59
17PHT150	PTC	150	228 x 70 x 59	6.0	0.72
17PFHT250	Fan forced resistance	250	152 x 80 x 110	1.2	0.98
17PFHT500	Fan forced resistance	500	182 x 80 x 110	2.4	1.2
17PFHT750	Fan forced resistance	750	232 x 80 x 110	3.6A	1.45

Controllers

- Available with NO or NC contacts
- Bimetal sensor (polyamide sensor on 17PHG02)
- Operating temperature -45 to +80°C (-10 to +60°C on 17PHG02)
- DIN rail mounting
- No. of operations > 100.000
- Contact rating 10A (250VAC)



17PTHT 17PTVT



17PTHVT

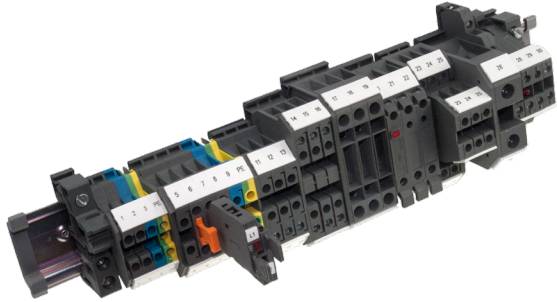


17PHG02

Order Code	Type	Contact	Dimensions (mm)	Weight (kg)
17PTHT	Thermostat (Red) 0-60°C	1 x NC	61 x 34 x 38	0.045
17PTVT	Thermostat (Blue) 0-60°C	1 x NO	61 x 34 x 38	0.045
17PTHVT	Double thermostat (Red + Blue) 0-60°C + 0-60°C	1 x NC + 1 x NO	65 x 59 x 42	0.080
17PHG02	Hygrostat 10-90%	1 x CO	105 x 60 x 55	0.180

TB Feed-through Terminal Blocks

- Available up to 415A and 240mm² conductors
- 35mm DIN rail mounting
- Rated voltage 800V
- Halogen free polyamide
- Operating temperature -60 to +130°C
- High conductivity nickel or tin plated copper alloy conductors
- Multi-conductor connection
- Wide range of accessories and marking
- Standard colour dark grey (optional blue)



Basic TB terminals

Size	TB 2.5 I	TB 4 I	TB 6 I	TB 10 I	TB 16 I	TB 35 I
Order Code	PH3246311	PH3246324	PH3000486	PH3246340	PH3246353	PH3246366
Rated Current	24 A	32 A	41 A	57A	76 A	125 A
Solid Conductor Size mm ²	0.5 - 4	0.5 - 6	1.5 - 6	1.5 - 16	6 - 16	10 - 35
Stranded Conductor Size mm ²	0.5 - 2.5	0.5 - 4	1.5 - 6	1.5 - 10	6 - 16	10 - 35
Width (mm)	5.2	6.2	8.2	10.2	12.2	16
Length (mm)	42.5	42.5	42.5	42.5	51	54.4
Height (mm)	47	47	47	47	50.5	62.1
Order Code						
Earth Terminal	PH3059841	PH3059980	PH3059870	PH3059883	PH3059896	PH3059906
End Cover	PH3059919	PH3059809	PH3059809	PH3059809	PH3059922	-
Insertion Bridge – 10 way	PH3246175	PH3246188	PH3246191	PH3246201	PH3246214	PH3246227
Fixed Bridge – 10 way	PH3246117	PH3246120	PH3246133	PH3246146	PH3246159	PH3246162
Marking Strip of 10*	ZB5	ZB6	ZB8	ZB10	UC-TM16	UC-TM16

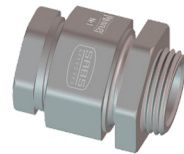
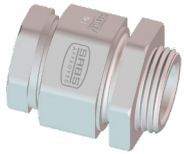
* Marking strips and cards can be supplied as blank or with sequential numbers (1-10, 11-20, etc), the same number (1,1,1, etc). Custom labels are available subject to minimum order quantity.

Special Terminals and Accessories

Order Code	Type	Dimensions W x L x H (mm)
PH3000904	TB2.5 Double level terminal 24A	5.2 x 56 x 62
PH3000905	TB4 Double level terminal 32A	6.2 x 56 x 62
PH3246418	TB4 HESI 6.3A fused terminal to suit 5 x 20mm cartridge fuse	8.2 x 58 x 47.9
PH3059812	TB4 HESI cover	2.2mm wide
PH3246966	End stop	9.5 x 50.5 x 36.8
PH3062838	Insulation plate	
PH3046272	Partition plate	
16DINRAIL	35mm slotted DIN rail (2m length)	

Standard Compression Glands

- Available in Tufflon plastic and nickel plated brass
- Sizes from M16 to M75
- Suit SWA cable sizes from 6.5 to 67.5 mm
- Accessories available for flat twin and earth cables, aerial bundled cables and instrumentation cables
- Conversion kits available for unarmored cables



PR12066



PR12070



Thread adaptor

Tufflon plastic glands

Order Code	Gland Size	Colour	Thread	Cable Diameter
PR75101	No. 00	White	M16	4.0 to 9.0
PR75107	No. 0s	White	M20	4.0 to 9.0
PR75102	No. 0L	White	M20	6.5 to 11.0
PR75103	No. 1	White	M20	8.5 to 13.0
PR75108	No. 2	White	M25	13.0 to 19.2
PR75001	No. 00	Grey	M16	4.0 to 9.0
PR75107	No. 0s	Grey	M20	4.0 to 9.0
PR75002	No. 0L	Grey	M20	6.5 to 11.0
PR75003	No. 1	Grey	M20	8.5 to 13.0
PR75008	No. 2	Grey	M25	13.0 to 19.2
PR75201	No. 00	Black	M16	4.0 to 9.0
PR75202	No. 0s	Black	M20	4.0 to 9.0
PR72003	No. 0L	Black	M20	6.5 to 11.0
PR72004	No. 1	Black	M20	8.5 to 13.0
PR75005	No. 2	Black	M25	13.0 to 19.2

Nickel plated brass glands

Order Code	Gland Size	Thread	Cable Diameter
PR12067	No. 00	M16	6.5 to 9.2
PR12066	No.0s	M20	6.5 to 9.2
PR12068	No. 0	M20	8.0 to 11.1
PR12069	No. 1	M20	9.0 to 14.7
PR12070	No. 2	M25	14.0 to 19.9
PR12071	No. 3	M32	18.0 to 27.3
PR12072	No. 4	M40	24.0 to 35.0
PR12074	No. 5	M50	32.0 to 44.0
PR12075	No. 6	M63	43.4 to 55.8
PR12077	No. 7	M75	55.9 to 67.5

Nickel thread adaptors

Order Code	Gland Size	Thread
PR29001	No. 1	Pg13.5
PR29003	No. 1	Pg16
PR29006	No. 1	Pg21
PR29002	No. 2	Pg13.5
PR29004	No. 2	Pg16
PR29007	No. 2	Pg21
PR29005	No. 3	Pg21
PR29008	No. 3	Pg29
PR29009	No. 4	Pg29
PR34100	No. 1	1" NPT