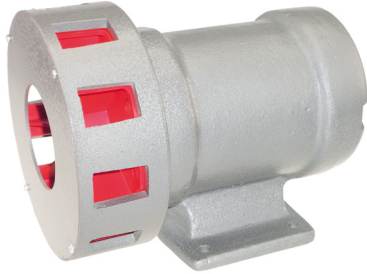


- Motor Sirens p12-1
- Siren Controls p12-4
- Electronic Sirens p12-5
- Wide Area Warning System p12-7

# 12



### Model 1500S



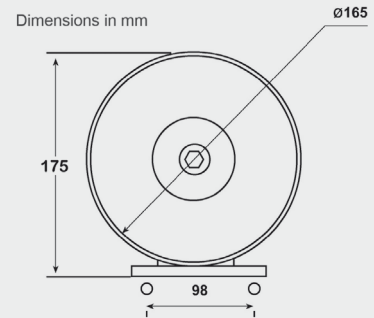
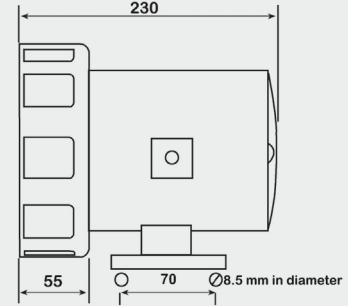
- Range up to 1500m\*
- Single phase motor driven siren
- Robust cast aluminium
- Sound output 122dB @ 1m
- Weatherproof

Order Code	Voltage	Running Current	Starting Current
KAM1500S110	110VAC 50Hz 1ph ±5%	5A	40A
KAM1500S230	230VAC 50Hz 1ph ±5%	3.5A	28A

\*Range based on sound level of 60dB at quoted distance, in still air at 20°C, with the siren mounted at 5m above ground level and without obstructions.

#### Specifications:

Sound output: 122dB @ 1m  
 Sound frequency: 1600Hz  
 Protection: IP55  
 Rating: 1 hour continuous (thermal cutout protection)  
 Cable entry: 1 x M20  
 Construction: Cast aluminium  
 Weight: 6.6Kg



### Model 2D



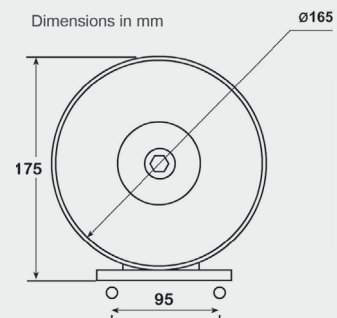
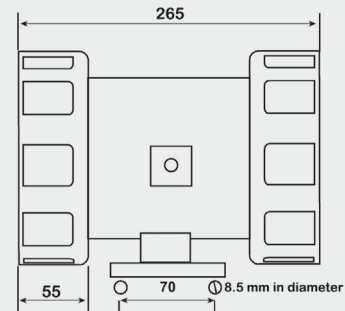
- Range up to 2000m\*
- Single phase motor driven siren
- Low penetrating tone
- Robust cast aluminium
- Sound output 121dB @ 1m
- Weatherproof

Order Code	Voltage	Running Current	Starting Current
KAM2D110	110VAC 50Hz 1ph ±5%	3A	24A
KAM2D230	230VAC 50Hz 1ph ±5%	2.2A	17A

\*Range based on sound level of 60dB at quoted distance, in still air at 20°C, with the siren mounted at 5m above ground level and without obstructions.

#### Specifications:

Sound output: 121dB @ 1m  
 Sound frequency: 370/660Hz  
 Protection: IP55  
 Rating: 1 hour continuous (thermal cutout protection)  
 Cable entry: 1 x M20  
 Construction: Cast aluminium  
 Weight: 8.2Kg



### Model 3LF



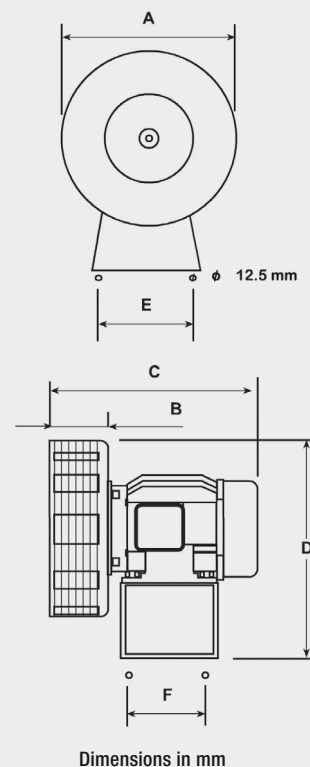
- Range up to 3000m\*
- Single phase or 3ph motor driven siren
- Robust cast aluminium
- Sound output 125dB @ 1m
- Weatherproof

Order Code	Voltage	Running Current	Starting Current
KAM3LF240	230VAC 50Hz 1ph ±5%	6.7A	37A
KAM3LF415	415VAC 50Hz 3ph ±5%	2.3A	17A

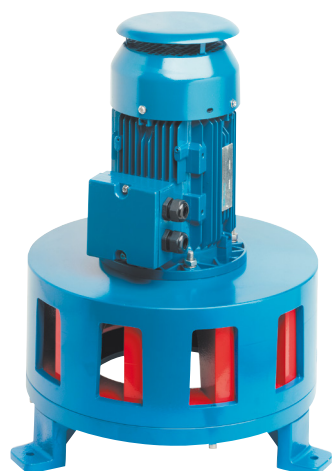
\*Range based on sound level of 60dB at quoted distance, in still air at 20°C, with the siren mounted at 5m above ground level and without obstructions.

#### Specifications:

Sound output: 125dB @ 1m  
 Sound frequency: 560Hz  
 Motor power: 1.1kw  
 Protection: IP55  
 Rating: Continuous  
 Cable entry: 1 phase – 1 x M20  
 3 phase – 1 x M25  
 Construction: Cast aluminium siren head, aluminium alloy motor, steel base  
 Weight: 22Kg



### Model MS22



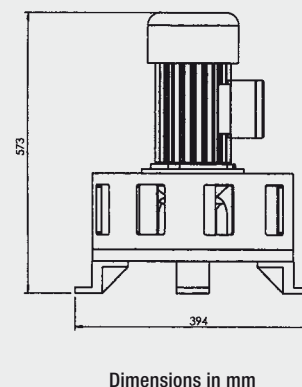
- Range up to 5000m\*
- Motor driven siren available with single or three phase motor
- Sound output 130dB @ 1m
- Low penetrating tone
- Weatherproof

Order Code	Voltage	Running Current	Starting Current	Weight (kg)
MS022240	240Vac 50Hz 1ph ±5%	13.1A	88A	47
MS022415	415Vac 3ph 50Hz ±5%	4.3A	37A	37

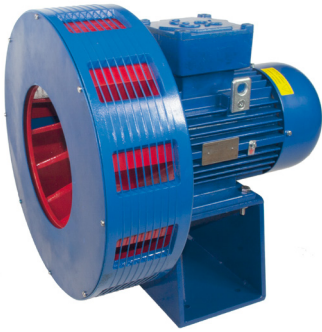
\*Range based on sound level of 60dB at quoted distance, in still air at 20°C, with the siren mounted at 5m above ground level and without obstructions

#### Specifications:

Sound output: 130dB @ 1m  
 Sound frequency: 475Hz  
 Motor power: 2.2kw  
 Protection: IP55  
 Rating: Continuous  
 Cable entry: 1 phase – 1 x M20  
 3 phase – 1 x M25  
 Construction: Cast aluminium siren head, aluminium alloy motor



### Model 10S



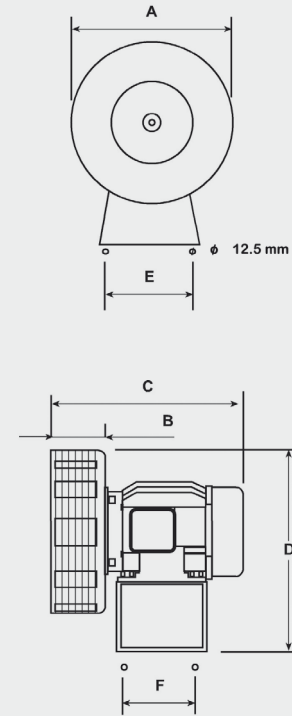
- Range up to 10000m\*
- 3ph motor driven siren
- Robust cast aluminium
- Sound output 140dB @ 1m
- Weatherproof

Order Code	Voltage	Running Current	Starting Current
KAM10S415	415VAC 50Hz 3ph ±5%	7.4A	62A

\*Range based on sound level of 60dB at quoted distance, in still air at 20°C, with the siren mounted at 5m above ground level and without obstructions.

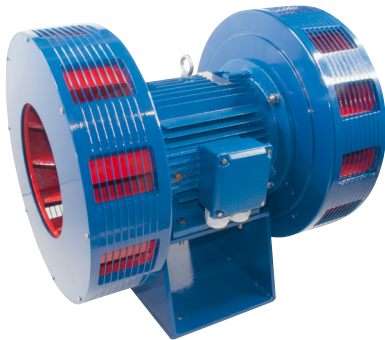
#### Specifications:

Sound output: 140dB @ 1m  
 Sound frequency: 560Hz  
 Motor power: 4kw  
 Protection: IP55  
 Rating: Continuous  
 Cable entry: 2 x M32  
 Construction: Cast aluminium siren head, aluminium alloy motor, steel base  
 Weight: 68Kg



Dimensions in mm

### Model 15D



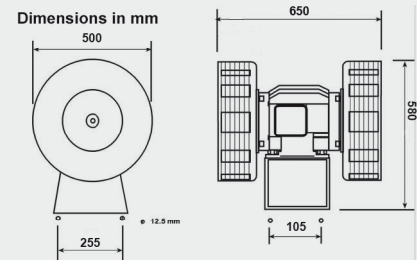
- Range up to 15000m\*
- Motor driven siren available three phase motor
- Sound output 145dB @ 1m
- Low penetrating tone
- Weatherproof

Order Code	Voltage	Running Current	Starting Current
KAM15D415	415Vac 3ph 50Hz ±5%	13.4A	105A

\*Range based on sound level of 60dB at quoted distance, in still air at 20°C, with the siren mounted at 5m above ground level and without obstructions

#### Specifications:

Sound output: 145dB @ 1m  
 Sound frequency: 480/560Hz  
 Motor power: 7.5kw  
 Protection: IP55  
 Rating: 10m on/5m off  
 Cable entry: 1 x M32  
 Construction: Cast aluminium siren head, cast iron motor  
 Weight: 118Kg



Dimensions in mm

### Siren Sound Modulators



- Provides selection of wailing or continuous tones for motorsised sirens
- Single phase and 3 phase versions available
- Optional time clock
- Optional radio or GSM controls

Order Code	Voltage (siren)
<b>MOD12240</b>	240V 1ph
<b>MOD12415</b>	415VAC 3ph

**Specifications:**  
**Contactor rating:** 12 Amp (higher current ratings also available)  
**Control voltage:** 240VAC  
**Timer:** Asynchronous recycler with independent on and off times  
**Protection:** IP54  
**Dimensions:** 280 x 190 x 150mm  
**Weight:** 2.4kg

### Siren Time Clock Control

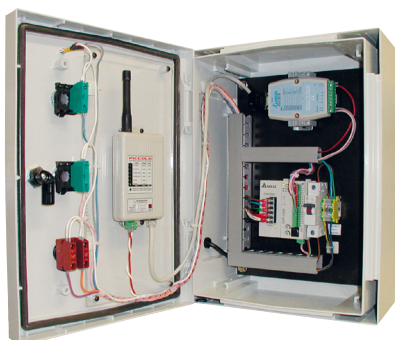


- Daily/weekly time clock for siren control
- 16 sets of on/off programs
- Weekend exclusion
- Siren on time programmable

Order Code	Voltage	Current
<b>MSCT240</b>	240V	20A (AC1)

**Specifications:**  
**Output:** 2 x NO contacts  
**Current rating:** 20 A (AC1), 1.3kw (AC3 230V)  
**Control voltage:** 240VAC  
**No. of programs:** 16 on/off daily or weekly  
**Siren on time:** 1 to 59sec programmable  
**Protection:** IP40 (indoor only)  
**Dimensions:** 200 x 147 x 96mm  
**Weight:** 1.1kg

### Custom Built Controls



Mechtric can supply custom built siren and warning light controls including-

- Time clock or PLC controlled start controllers
- Line of sight radio control
- Controls with transceiver for long distance radio control
- Controls with GSM modem for control via mobile phone

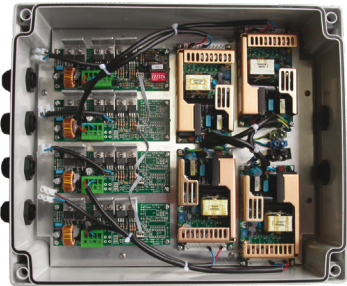


### A131



- High output electronic sounder
- 131dB @ 1m nominal output
- 45 tones
- Optional battery back up
- Three stage alarm
- IP66 (horns)

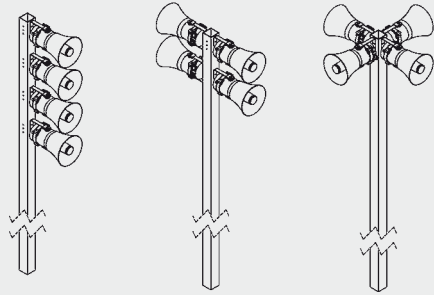
The A131 system consists of four high output horn speakers suitable for pole or wall mounting and a separate control box. The control box may also include a backup battery to provide up to 30 day standby and 30 minutes of alarm. The system is supplied with 10m of speaker cable. A wide choice of control options are available including radio, GSM and Ethernet.



Order Code	Voltage	Current
ESS8310	18-30VDC	13.2A @ 24VDC
ESS8330	90-265VAC	1.95A @ 230VAC

#### Specifications:

**Nominal sound output:** 131dB @1m (102dB @ 30m)  
**Sound frequency:** 45 Tones see tone list on page 12-6  
**Protection:** Horns – IP66  
 Control box - IP65  
**Temp rating (°C):** -20 to +55  
**Rating:** Continuous  
**Cable entry:** 2 x 20mm  
**Weight:** Control box - 2.9kg  
 (AC unit without batteries)  
 Horns - 4.7kg per horn  
**Construction:** Horn body – LM6 aluminium  
 Horn flare and control box - ABS

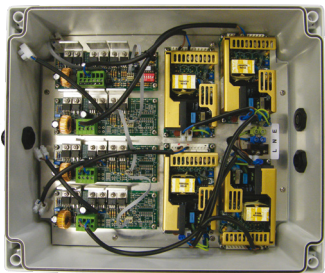


### A141



- High output electronic sounder
- 141dB @ 1m nominal output
- 45 tones
- Optional battery back up
- Three stage alarm
- IP65

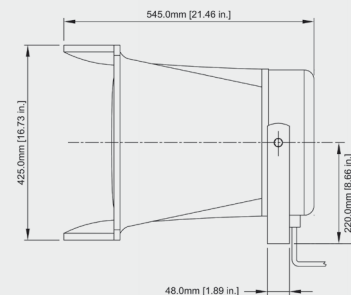
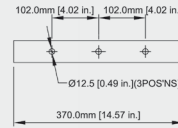
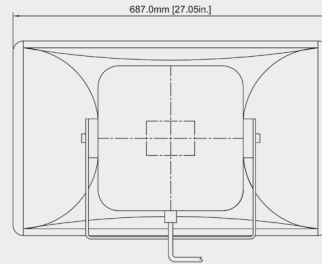
The A141 system consists of a high output horn speaker suitable for pole or wall mounting and a separate control box. The control box may also include a backup battery to provide up to 30 day standby and 30 minutes of alarm. The system is supplied with 10m of speaker cable. A wide choice of control options are available including radio, GSM and Ethernet.



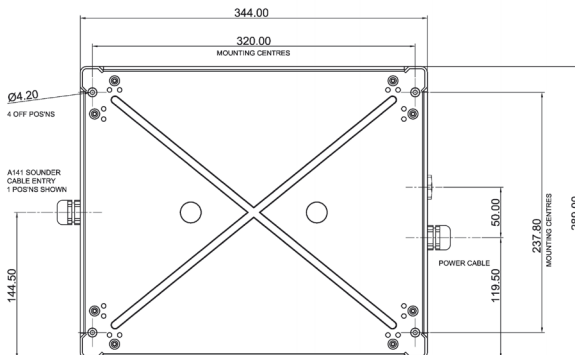
Order Code	Voltage	Current
ESS8410	18-30VDC	13.2A @ 24VDC
ESS8430	90-265VAC	1.95A @ 230VAC

#### Specifications:

**Sound output:** 140dB @ 1m  
**Nominal sound output:** 141dB @1m (112dB @ 30m)  
**Sound frequency:** 45 Tones see tone list on page 12-6  
**Protection:** IP65  
**Temp rating (°C):** -20 to +55  
**Rating:** Continuous  
**Cable entry:** 2 x 20mm  
**Weight:** Control box - 2.9kg  
 (AC unit without batteries)  
 Horn - 14kg  
**Construction:** Horn and control box – ABS



#### A141 Control Box

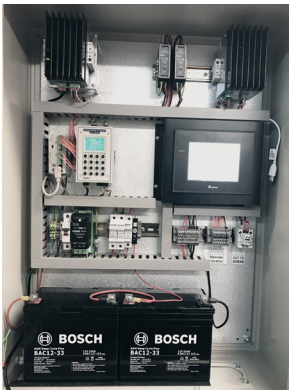


### A131-A141 Tones

Stage 1	Description	Sound Output db@1m	Stage 2	Stage 3
Tone 1	340 Hz Continuous	107/113dB	Tone 2	Tone 5
Tone 2	800/1000Hz @ 0.25 sec Alternating	112/121dB	Tone 17	Tone 5
Tone 3	500/1200Hz @ 0.3Hz 0.5 sec Slow Whoop	113/121dB	Tone 2	Tone 5
Tone 4	800/1000Hz @ 1Hz Sweeping	113/121dB	Tone 6	Tone 5
Tone 5	2400Hz Continuous	119/125dB	Tone 3	Tone 20
Tone 6	2400/2900Hz @ 7Hz Sweeping	116/123dB	Tone 7	Tone 5
Tone 7	2400/2900Hz @ 1Hz Sweeping	116/125dB	Tone 10	Tone 5
Tone 8	500/1200/500Hz @ 0.3Hz Sweeping	113/121dB	Tone 2	Tone 5
Tone 9	1200/500Hz @ 1Hz - DIN / PFEER P.T.A.P.	113/121dB	Tone 15	Tone 2
Tone 10	2400/2900Hz @ 2Hz Alternating	119/126dB	Tone 7	Tone 5
Tone 11	1000Hz @ 1Hz Intermittent	112/121dB	Tone 2	Tone 5
Tone 12	800/1000Hz @ 0.875Hz Alternating	112/121dB	Tone 4	Tone 5
Tone 13	2400Hz @ 1Hz Intermittent	119/125dB	Tone 15	Tone 5
Tone 14	800Hz 0.25 sec on, 1 sec off Intermittent	113/120dB	Tone 4	Tone 5
Tone 15	800Hz Continuous	113/120dB	Tone 2	Tone 5
Tone 16	AS1670: 500-1200Hz Sweeping 2 sec on 1 sec off	113/121dB	Tone 18	Tone 5
Tone 17	544Hz (100mS)/440Hz (400mS) - NF S 32-001	109/118dB	Tone 2	Tone 27
Tone 18	AS1670: 1500-500Hz 0.5 sec on 0.5 sec off x 3 with 1.5 sec gap	113/121dB	Tone 16	Tone 5
Tone 19	1.4KHz-1.6KHz 1s, 1.6KHz-1.4KHz 0.5s -NFC48-265	114/126dB	Tone 2	Tone 5
Tone 20	660Hz Continuous	109/118dB	Tone 2	Tone 5
Tone 21	554Hz/440Hz @ 1Hz Alternating	109/118dB	Tone 2	Tone 5
Tone 22	544Hz @ 0.875 sec. Intermittent	109/118dB	Tone 2	Tone 5
Tone 23	800Hz @ 2Hz Intermittent	113/120dB	Tone 6	Tone 5
Tone 24	800/1000Hz @ 50Hz Sweeping	112/120dB	Tone 29	Tone 5
Tone 25	2400/2900Hz @ 50Hz Sweeping	116/124dB	Tone 29	Tone 5
Tone 26	Bell	108/118dB	Tone 2	Tone 15
Tone 27	554Hz Continuous	109/117dB	Tone 26	Tone 5
Tone 28	440Hz Continuous	106/117dB	Tone 2	Tone 5
Tone 29	800/1000Hz @ 7Hz Sweeping	112/121dB	Tone 7	Tone 5
Tone 30	300Hz Continuous	107/114dB	Tone 2	Tone 5
Tone 31	660/1200Hz @ 1Hz Sweeping	112/121dB	Tone 26	Tone 5
Tone 32	Two tone chime	108/118dB	Tone 26	Tone 15
Tone 33	745Hz @ 1Hz Intermittent	109/116dB	Tone 2	Tone 5
Tone 34	1000 & 2000Hz @ 0.5 sec Alternating - Singapore	109/121dB	Tone 38	Tone 45
Tone 35	AS2220: 420Hz @ 0.625 sec Australian Alert	106/117dB	Tone 36	Tone 5
Tone 36	AS2220: 500-1200Hz 3.75 sec /0.25 sec. Australian Evac.	113/121dB	Tone 35	Tone 5
Tone 37	1000Hz Continuous - PFEER Toxic Gas	113/121dB	Tone 9	Tone 45
Tone 38	2000Hz Continuous	112/120dB	Tone 34	Tone 45
Tone 39	800Hz 0.25 sec on, 1 sec off Intermittent	116/120dB	Tone 23	Tone 17
Tone 40	544Hz (100mS)/440Hz (400mS) - NF S 32-001	113/121dB	Tone 31	Tone 27
Tone 41	Motor Siren - slow rise to 1200 Hz	112/122dB	Tone 2	Tone 5
Tone 42	Motor Siren - slow rise to 800 Hz	114/121dB	Tone 2	Tone 5
Tone 43	1200 Hz Continuous	113/122dB	Tone 2	Tone 5
Tone 44	Motor Siren - slow rise to 2400 Hz	118/124dB	Tone 2	Tone 5
Tone 45	1KHz 1s on, 1s off Intermittent - PFEER Gen. Alarm	112/121dB	Tone 38	Tone 34

### Digitex DSE

- High output electronic warning system
- Stores and reproduces customized tones and voice messages
- Sound output up to 123dB @ 30m
- Battery backup built in
- Advanced control and diagnostics
- Software available for control of multiple sirens via IP or radio network at local or regional level.
- Upgradeable for future expansion



#### Specifications:

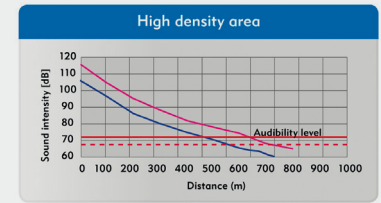
<b>Sound frequency:</b>	Up to 64 alarm tones Up to 64 voice messages (max 8 min) Real time voice messages (via optional mic or from control center via IP or radio)
<b>Fundamental frequency:</b>	415-425Hz (range 250Hz to 3000Hz)
<b>Supply voltage:</b>	240VAC (others on request)
<b>Max current:</b>	<3A during charging
<b>Power Consumption:</b>	<6W in standby mode (without additional accessories)
<b>Autonomy:</b>	Standby – up to 30 days in standby mode Alarm – up to 20 x 1min alarms.
<b>Batteries:</b>	2 x 12V SLA (33Ah to 65Ah depending on siren power)
<b>Control:</b>	<b>Standard</b> – 7 x digital inputs for tone/voice message selection RS-232/RS-485 - local HMI for diagnostics and alarms <b>Option</b> – remote activation by hard wired pushbuttons or HMI wireless activation by radio modem, GSM or SMS activation and live voice messages by VHF/UHF
<b>Protection:</b>	IP65
<b>Temp rating (°C):</b>	-20 to +60 (not in direct sun)
<b>Rating:</b>	maximum 30min alarm
<b>Cable entry:</b>	Through cable gland plate
<b>Construction:</b>	Aluminium alloy horns Powder coated steel control box (optional 316 stainless steel)
<b>Dimensions (mm):</b>	<b>Control cabinet</b> – 800w x 1000h x 300d <b>Loudspeaker horns</b> – 610 x 600 x 140
<b>Weight:</b>	<b>Control box</b> – up to 85kg depending on configuration <b>Horns</b> – 9kg each

Minimum recommended loudspeaker pole height is 6m

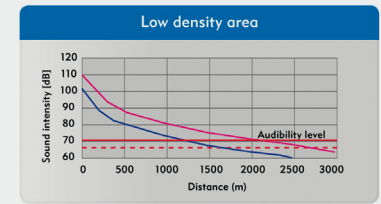


### Digitex DSE

Model	Power (W)	Sound Output @30m	No. of Horns	Configuration	No. of Amplifiers	Batteries
DSE-300S	300	103dB (A)	2		1 x 300W	2 x 12V 33Ah
DSE0600S	600	109dB (A)	4		2 x 300W	
DSE-900S	900	112dB (A)	6		3 x 300W	2 x 12V 44Ah
DSE-1200S	1200	115dB (A)	8		4 x 300W	2x65Ah
DSE-1800S	1800	118dB (A)	12		6 x 300W	
DSE-2400S	2400	121dB (A)	16		8 x 300W	2 x 80Ah
DSE-3000S	3000	123dB (A)	20		10 x 300W	2 x 120Ah

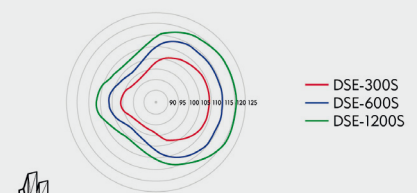


Surface:  
DSE-600S – around 1 km<sup>2</sup>  
DSE-1200S – around 1.5 km<sup>2</sup>

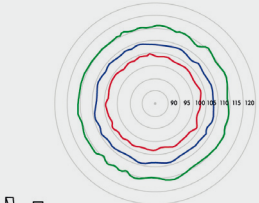


Surface:  
DSE-600S – around 5 km<sup>2</sup>  
DSE-1200S – around 11 km<sup>2</sup>  
DSE-1800S – around 11 km<sup>2</sup>

NOTE: All the above mentioned relationships and calculations should be treated as estimates only. Actual siren reach may be different



Speaker distribution: every 20°



Speaker distribution: every 90°

#### POLE & FOOTING

- 6m high pole
- Standard area footing (Confirm your area's requirements)

#### CABLE SET FOR MAST & POLE

- Multi-core
- Ofiflex PVC cable
- 1.5mm<sup>2</sup> x 16m

DSE300: 4 core + E  
DSE600: 9 core + E  
DSE900: 17 core + E  
DSE1200: 17 core + E  
DSE1800: 24 core + E

#### PUSH-BUTTON SET

- Interface allowing activation of tones
- Can be mounted on controller or wired remotely

#### SOLAR PANEL KIT

- 2x 135W 12V panels.
- Includes mounting kit with tilt frame.
- 24V Solar regulator
- 2 pole DC MCB and solar connectors.
- (Confirm your area's requirements)

#### LONG LIFE BATTERIES

- 10 year life.
- Cont' float charge.
- 2 discharge cycles per year.
- Max 500 cycle life.
- Two per DSE.

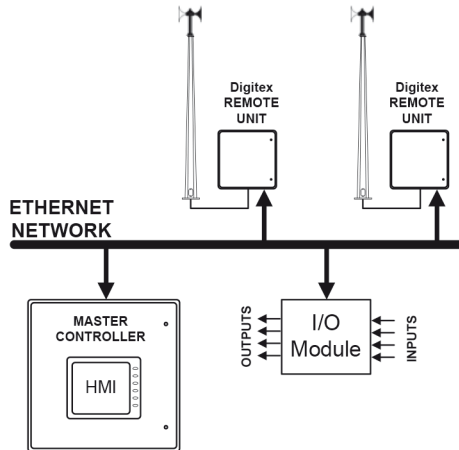
See above

#### SMS STATUS MONITORING

- Provides SMS notification of system and alarm status.
- Up to 5 recipients can be selected.
- Only one SMS module is required if the base unit is being controlled by a Master Controller.

### Remote Control Option Ethernet Network

- Provides system control and status notification through an existing site Ethernet network.
- Control system I/O is expandable and can be tailored to suit your site needs.



#### Ethernet I/O (Standard Configuration)

4 alarm activation

- inputs:
- ALERT
  - EVACUATION
  - ALL-CLEAR
  - ALARM STOP

4 system status

- outputs:
- ALERT TONE ACTIVE
  - EVACUATION TONE ACTIVE
  - ALL CLEAR TONE ACTIVE
  - SIREN SYSTEM FAULT

#### Ethernet Master Controller

Provides a complete control and monitoring solution through the colour touch screen human/machine interface (HMI).

Site overlay indicates location and status of all DSE sirens.

Provides log of all system activations and faults in CSV format for later analysis.

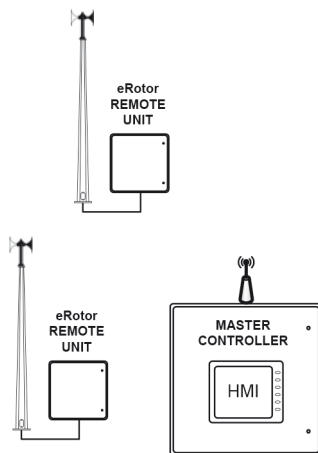
These controllers can also be configured as slaves, allowing multiple controllers to be located around your site.

Components include:

- Delta SA2 PLC with Ethernet module and 8" colour touch screen HMI
- 2x 12V 26Ah backup batteries and Lovato 24VDC battery charger
- All housed in a 400x500x250 IP65 mild steel enclosure
- Requires 240VAC 1Ph supply

### Remote Control Option Wireless Transceiver Network

- 5km "line of sight" coverage
- Mesh network capable
- Secure link



#### Wireless Master Controller

Whilst having the same features as the Ethernet Master Controller, it also includes:

- Piccolo data transceiver
- Wall/pole mount antenna
- Also requires 240VAC 1Ph supply

Each antenna must be installed 'Line-of-Sight' to the master controller, or another DSE siren.

Mesh network means as long as each DSE is in range of another DSE in the network, the master controller will be able to operate and monitor it.

The secure link feature provides peace of mind that each DSE is connected and operational when needed. Checked multiple times each second, an alarm is immediately raised at both master controller and the remote unit if the link fails.

#### NOTE:

Each remote eRotor unit requires an additional slave transceiver kit consisting of a Piccolo data transceiver, and a wall/pole mount antenna.

The Digitex DSE siren system is completely modular and highly configurable. With additional software and hardware the DSE sirens can be integrated into a plant, town or regional alarm system, with interface to analogue or digital radio systems, and internet to provide live voice messages.