

Sounders and Beacons
with Aluminium Housing p13-1

Loud Speakers with
Aluminium Housing p13-7

Manual Call Points with
Aluminium Housing p13-8

Sounders and Beacons
with GRP Housing p13-9

Loud Speakers with GRP Housing p13-13

Manual Call Points with GRP Housing p13-14

Sounders and Beacons with Stainless Steel Housing p13-15

Loud Speakers with Stainless Steel Housing p13-19

Manual Call Points with Stainless Steel Housing p13-20

Intrinsically Safe Sounders and Beacons p13-21

Intrinsically Safe Manual Call Points p13-24

Exd Motor Sirens p13-25

13



BExBG Series

- 5J, 10J, 15J xenon strobe beacons
- Ex d IIC zone 1, 2, 21 and 22 (IECEX)
- Synchronised flash or flip-flop alternating mode on multi-beacon systems*
- SIL2 compliant version available (5J and 10J 24VDC only)
- Line monitoring with blocking diode or optional EOL resistor
- IP66



Order Code	Voltage	Current
BExBG05DP - 5J xenon		
ESS7101X*	10-14VDC	750mA
ESS7111X*	20-28VDC	300mA
ESS7141X*	42-54VDC	180mA
ESS7121X*	115VAC ±10%	140mA
ESS7131X*	230VAC ±10%	55mA
BExBG10DP - 10J xenon		
ESS7102X*	10-14VDC	1.45A
ESS7112X*	20-28VDC	660mA
ESS7142X*	42-54VDC	340mA
ESS7122X*	115VAC ±10%	250mA
ESS7132X*	230VAC ±10%	110mA
BExBG15DP - 15J xenon		
ESS7113X*	20-28VDC	860mA
ESS7143X*	42-54VDC	480mA
ESS7123X*	115VAC ±10%	360mA
ESS7133X*	230VAC ±10%	170mA

*Specify colour A = Amber, B = Blue, C = Clear, G = Green, R = Red, Y = Yellow

Specifications:

Light intensity:
 5J – 120cd(e)
 10J – 380cd(e)
 15J – 468cd(e)

Flash rate:
 60fpm

Protection:
 IP66 (IP67)

Duty:
 Continuous

Temp rating (°C):
 T4 -50 to +70°C
 T5 -50 to +45°C
 BExBG10 and BExBG15
 T3 -50 to +70°C
 T4 -50 to +50°C

Cable entry:
 2 x M20 ISO
 (one stopping plug included)

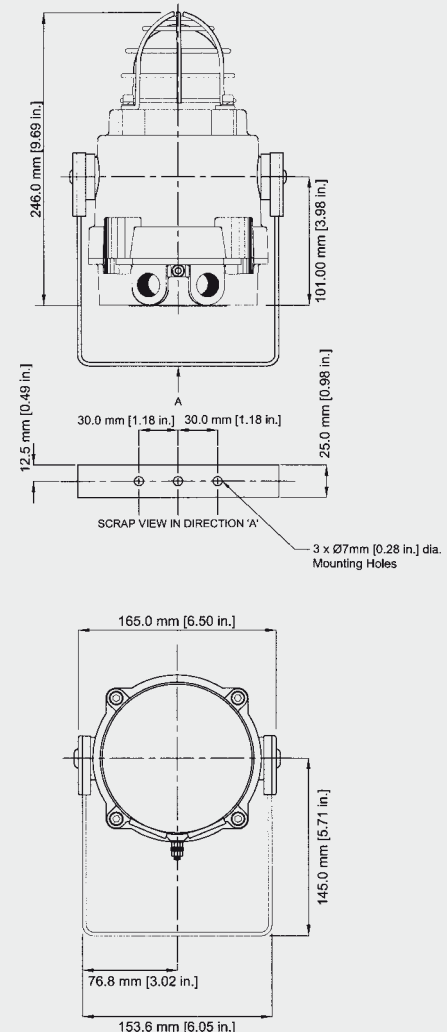
Construction:
 LM6 aluminium housing,
 glass lens, stainless steel
 guard and mounting bracket

Weight:
 DC - 2.45kg, AC - 2.75kg

Approval:
 5J – II 2G Ex d IIC T4 (max
 ambient temperature +70°C)
 II 2G Ex d IIC T5 (max ambient
 temperature +45°C)
 10J and 15J – II 2G Ex d IIC T4
 (max ambient +50°C)
 II 2G Ex d IIC T3
 (max ambient +70°C)
 II 2D Ex tD A21 IP67 T125 (DIP)
 IECEx (KEM 10.0002)

Certificate:

* synchronisation or flip-flop modes on multi-beacon systems on a single supply



BExBG21DP



- 21J xenon strobe beacon
- Ex d IIC zone 1, 2, 21 and 22 (IECEx)
- Dual xenon tubes with 3 flash patterns
- Line monitoring with blocking diode or optional EOL resistor
- IP66

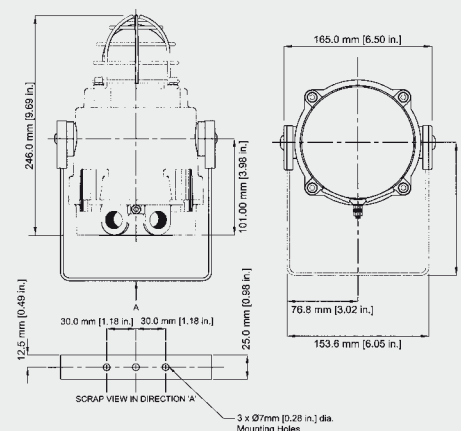
Order Code	Voltage	Current
ESS7114X*	20-28VDC	1.2A
ESS7144X*	42-54VDC	600mA
ESS7124X*	115VAC ±10%	560mA
ESS7134X*	230VAC ±10%	280mA

*Specify colour A = Amber, B = Blue, C = Clear, G = Green, R = Red, Y = Yellow

Specifications:

Light intensity: 520cd(e)
Flash energy: 21J
Flash rate: single flash - 60fpm (both tubes flash together)
 alternate flash - 120fpm (tube flash alternatively)
 double flash - 60fpm
Protection: IP66 (IP67)
Duty: Continuous
Temp rating (°C): T3 -50 to +70°C
Cable entry: 2 x M20 ISO (one stopping plug included)
Construction: LM6 aluminium housing, glass lens, stainless steel guard and mounting bracket
Weight: DC - 2.65kg, AC - 2.95kg
Approval: II 2G Ex d IIC T3 (max ambient temperature +70°C)
 II 2D Ex tD A21 IP67 T200 (DIP) IECEx (KEM 10.0002)

Certificate:



BExBG05-05DP DUAL XENON BEACON



- 2 x 5J dual xenon strobe beacon
- Ex d IIB zone 1, 2, 21 and 22 (IECEx)
- Dual xenon circuits can operated simultaneously or independently
- Synchronised flash or flip-flop alternating mode on multi-beacon systems
- Line monitoring with blocking diode or optional EOL resistor
- IP66

Order Code	Voltage	Current (per xenon circuit)
ESS7811X**	20-28VDC	300mA
ESS7814X**	42-54VDC	180mA
ESS7821X* *	115VAC ±10%	140mA
ESS7831X* *	230VAC ±10%	55mA

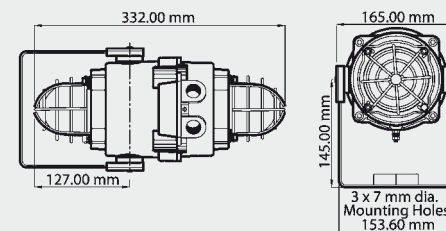
*Specify colour A = Amber, B = Blue, C = Clear, G = Green, R = Red, Y = Yellow

Specifications:

Light intensity: 2 x 120cd(e)
Flash energy: 2 x 5J
Flash rate: 60fpm
Protection: IP66 (IP67)
Duty: Continuous
Temp rating (°C): T4 -50 to +70°C
Cable entry: 2 x M20 ISO (one stopping plug included)
Construction: LM6 aluminium housing, glass lens, stainless steel guard and mounting bracket
Weight: DC - 4.00kg, AC - 4.35kg
Approval: II 2G Ex d IIB T4 (max ambient temperature +70°C)
 II 2D Ex tD A21 IP67 T115 (DIP) IECEx (KEM 10.0024)

Certificate:

* synchronisation or flip-flop modes on multi-beacon systems on a single supply



BExBGL2



- Multifunction LED beacon
- Ex d IIC zone 1, 2, 21 and 22 (IECEx)
- 7 flash patterns
- 3 stage alarm, remotely selectable (DC versions only)
- Line monitoring with blocking diode or optional EOL resistor
- IP66

Order Code	Voltage	Current (max.)
ESS7711*	10-50VDC	240mA @ 24VDC
ESS7721*	115VAC ±10%	95mA
ESS7731*	230VAC ±10%	48mA

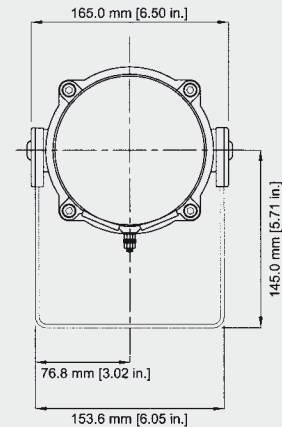
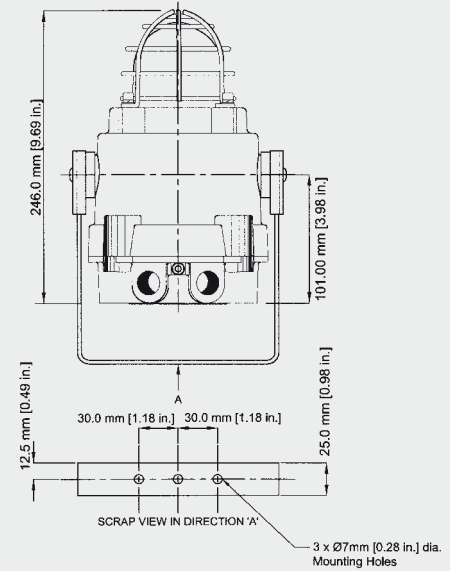
*Specify colour A = Amber, B = Blue, G = Green, R = Red, Y = Yellow, M = Magenta

Flash Patterns		
Mode: Stage 1: [Selectable on board]	Stage 2: [Remotely selectable]	Stage 3: [Remotely selectable]
1 Steady High Power	1 Flashing 1Hz	1 Triple Strike Flash
2 Steady Low Power	2 Flashing 1Hz	2 Triple Strike Flash
3 Flashing 1Hz	3 Double Strike Flash 2Hz	3 Triple Strike Flash
4 Flashing 1.5Hz	4 Flashing 2Hz	4 Double Strike Flash
5 Flashing 2Hz	5 Triple Strike Flash	5 Triple Strike Flash
6 Double Strike Flash	6 Steady High Power	6 Triple Strike Flash
7 Triple Strike Flash	7 Flashing 2Hz	7 Double Strike Flash

Note: remote second and third stage on DC units only

Specifications:

Light intensity: 160cd(e) - flashing
Flash rate: 7 flash patterns – see table below
Protection: IP66 (IP67)
Duty: Continuous
Temp rating (°C): T6 -50 to +60°C
 T5 -50 to +70°C
Cable entry: 2 x M20 ISO (one stopping plug included)
Construction: LM6 aluminium housing, glass lens, stainless steel guard and mounting bracket
Weight: DC - 2.65kg, AC - 2.95kg
Approval: II 2G Ex d IIC T6 (max ambient temperature +60°C)
 II 2G Ex d IIC T5 (max ambient temperature +70°C)
 II 2D Ex tD A21 IP67 T120 (DIP)
Certificate: IECEx (KEM 10.0002)



BExS110DF – BExS110DR



BExS110DF

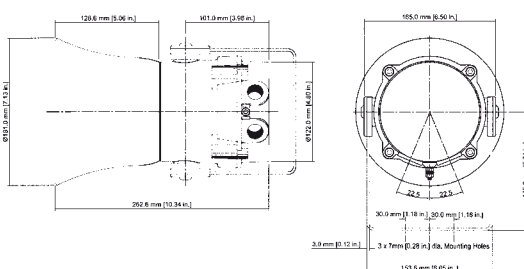
- Electronic sounder up to 117dB
- Available with flare or omnidirectional radial horn
- Ex d IIC zone 1, 2, 21 and 22(IECEX)
- 32 tones, includes ISO tones to Australian Standards
- Automatic synchronisation on multi-sounder systems*
- Volume control
- Three stage alarm
- Line monitoring with blocking diode or optional EOL resistor
- SIL2 compliant version available
- IP66

Order Code DF Flare Horn	Order Code DR Radial Horn	Voltage	Current
ESS6005X	ESS6005XR	12VDC ±25%	195mA
ESS6010X	ESS6010XR	24VDC ±25%	265mA
ESS6015X	ESS6015XR	48VDC±25%	130mA
ESS6020X	ESS6020XR	115VAC ±10%	110mA
ESS6030X	ESS6030XR	230VAC ± 10%	56mA



BExS110DR

BExS110DF



Specifications:

Sound output: Max: 117dB (A) @ 1m
Nominal: 110-72dB with volume control

Sound frequency: 32 tones see tone list on page 13-27

Protection: IP66 (IP67)

Temp rating (°C): T4 -50 to +55°C

Duty: Continuous

Cable entry: 2 x M20 ISO (one stopping plug included)

Construction: LM6 aluminium housing, stainless steel guard and mounting bracket, ABS flare

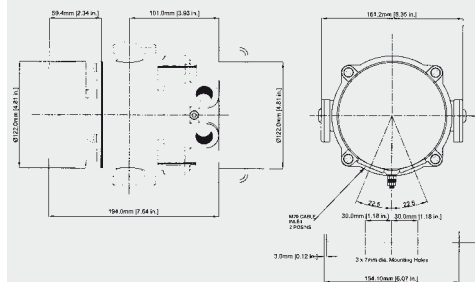
Weight: DC - 3.00kg, AC - 3.20kg

Approval: II 2G Ex d IIC T4 (max ambient temperature +55°C)
II 2G Ex d IIB T4 (max ambient temperature +70°C)
II 2D Ex tD A21 IP67 T115 (DIP) IECEx (KEM 10.0003X)

Certificate:

* Synchronisation requires sounders to be connected to the same supply

BExS110DR



BExS120DF



- Electronic sounder up to 121dB
- Ex d IIC zone 1, 2, 21 and 22(IECEX)
- 32 tones, includes ISO tones to Australian Standards
- Automatic synchronisation on multi-sounder systems*
- Volume control
- Three stage alarm
- Line monitoring with blocking diode or optional EOL resistor
- IP66

Order Code	Voltage	Current
ESS6205X	12VDC ±25%	850mA
ESS6210X	24VDC ±25%	800mA
ESS6215X	48VDC±25%	420mA
ESS6220X	115VAC ±10%	180mA
ESS6230X	230VAC ± 10%	90mA

Specifications:

Sound output: Max: 121dB @ 1m
Nominal: 117-108dB with volume control

Sound frequency: 32 tones see tone list on page 13-27

Protection: IP66 (IP67)

Temp rating (°C): T4 -50 to +55°C

Duty: Continuous

Cable entry: 2 x M20 ISO (one stopping plug included)

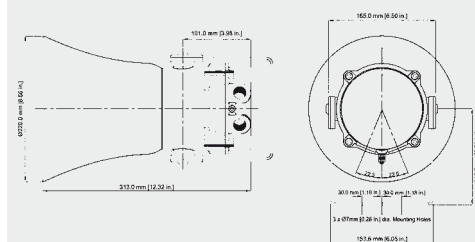
Construction: LM6 aluminium housing, stainless steel guard and mounting bracket, ABS flare

Weight: DC - 3.20kg, AC - 3.40kg

Approval: II 2G Ex d IIC T4 (max ambient temperature +55°C)
II 2G Ex d IIB T4 (max ambient temperature +70°C)
II 2D Ex tD A21 IP67 T115 (DIP) IECEx (KEM 10.0003X)

Certificate:

* Synchronisation requires sounders to be connected to the same supply



BExH120-DF - BExH120-DR

- Hootronic sounder up to 117dB
- Available with flare or omnidirectional radial horn
- Ex d IIC zone 1, 2, 21 and 22 (IECEX)
- Authentic reproduction of the sound of electro-mechanical signaling devices
- 5 tones
- Automatic synchronisation on multi-sounder systems*
- Volume control
- Three stage alarm
- Line monitoring with blocking diode or optional EOL resistor
- IP66



BExH120-F



BExH120-R

Tones

Tone	Description	Stage 1	Stage 2	Stage 3
1	Industrial hooter	Tone 1	Tone 3	Tone 5
2	High frequency mechanical siren	Tone 2	Tone 1	Tone 5
3	Medium frequency mechanical siren	Tone 3	Tone 1	Tone 5
4	Buzzer	Tone 4	Tone 2	Tone 5
5	Bell	Tone 5	Tone 1	Tone 2

Order Code DF Flare Horn	Order Code DR Radial Horn	Voltage	Current
ESS6310X	ESS6310XR	24VDC	400mA
ESS6320X	ESS6320XR	115VAC ±10%	130mA
ESS6330X	ESS6330XR	230VAC ±10%	65mA

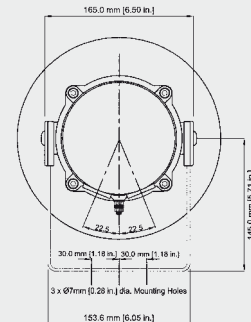
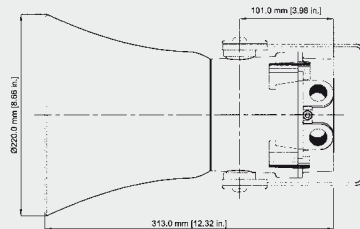
Specifications:

Sound output: Max: 117dB @ 1m
Sound frequency: 5 tones see tone list
Protection: IP66 (IP67)
Temp rating (°C): T4 -50 to +55°C
Duty: Continuous
Cable entry: 2 x M20 ISO (one stopping plug included)
Construction: LM6 aluminium housing, stainless steel guard and mounting bracket, ABS flare.
Weight: DC- 3.20kg, AC - 3.40kg
Approval: II 2G Ex d IIC T4 (max ambient temperature +55°C)
 II 2G Ex d IIB T4 (max ambient temperature +70°C)
 II 2D Ex tD A21 IP67 T115 (DIP)
 IECEX (KEM 10.0003)

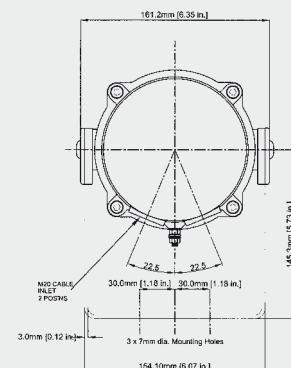
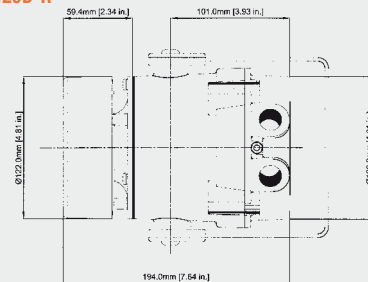
Certificate:

* Synchronisation requires sounders to be connected to the same supply

BExH120-F



BExH120-R



BExCS110-05 – BExCS110-L2



- Electronic sounder with xenon or multi-function LED beacon
- Available with flare or omnidirectional radial horn
- Ex d IIB zone 1, 2, 21 and 22 (IECEX)
- 32 tones, includes ISO tones to Australian Standards
- Automatic synchronisation on multi-sounder systems*
- Automatic synchronised flash or flip-flop alternating mode* (xenon only)
- Sounder and beacon controlled independently
- Volume control
- Three stage alarm (three stage LED beacon)
- Line monitoring with blocking diode or optional EOL resistor
- IP66

BExCS110-05-F (BExS110-L2-F)



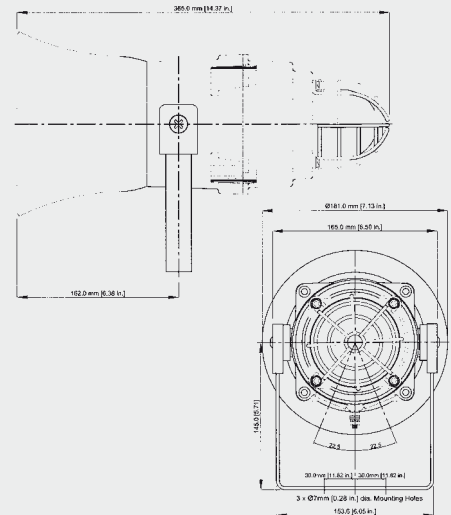
BExCS110-05-R (BExS110-L2-R)

Specifications:

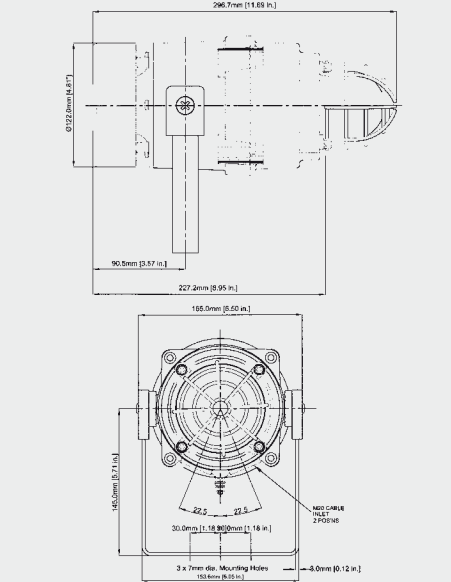
Sound output:	Max: 117dB (A) @ 1m (flare horn) 115dB (A) @ 1m (radial horn)
Sound frequency:	Nominal: 110 -72dB with volume control 32 tones see tone list on page 13-27
Flash energy:	Xenon - 5J
Light output:	Xenon -120cd(e) LED -160cd(e) flash
Flash rate:	Xenon - 60fpm LED - multi-function see list on page 13-3
Duty:	Continuous
Protection:	IP66 (IP67)
Temp rating (°C):	T4 -50 to +70°C
Cable entry:	2 x M20 ISO (one stopping plug included)
Construction:	LM6 aluminium housing, glass lens, ABS flare, stainless steel guard and mounting bracket
Weight:	DC – 4.80kg, AC – 5.40kg
Approval:	II 2G Ex d IIB T4 (max ambient temperature +70°C) II 2D Ex tD A21 IP67 T115 (DIP)
Certificate:	IECEX (KEM 10.0025X)

* Synchronisation requires sounders to be connected to the same supply

BExCS110-05-F



BExCS110-05-R



Order Code DF Flare Horn	Order Code DR Radial Horn	Voltage	Current Sounder	Current Beacon
BExCS110-05 – 5J xenon				
ESS6805X*	ESS6805XR*	12VDC ±25%	195mA	750mA
ESS6810X*	ESS6810XR*	24VDC ±25%	265mA	300mA
ESS6815X*	ESS6815XR*	48VDC ±25%	130mA	180mA
ESS6820X*	ESS6820XR*	115VAC ±10%	110mA	140mA
ESS6830X*	ESS6830XR*	230VAC ±10%	56mA	55mA
BExCS110-L2 – LED				
ESS6850X*	ESS6850XR*	24VDC ±25%	265mA	240mA
ESS6855X*	ESS6855XR*	48VDC ±25%	130mA	95mA
ESS6860X*	ESS6860XR*	115VAC ±10%	110mA	48mA
ESS6870X*	ESS6870XR*	230VAC ±10%	56mA	

*Specify colour A = Amber, B = Blue, G = Green, R = Red, Y = Yellow

BExL15D



- 15W loud speaker
- Ex d IIC zone 1, 2, 21 and 22 (IECEx)
- Available with 8Ω or 16Ω impedance or with 100V line transformer
- 100V line tapplings
- IP66

Order Code	Impedance	Weight (kg)
ESS6608X	8 ohm	3.10
ESS6616X	16 ohm	
ESS6620X	100V line	3.45

Specifications:

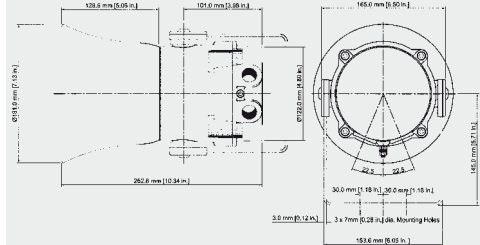
Power: 15W RMS
Sound output: Max: 113dB @ 15W @ 1m
Low impedance: 8 ohm or 16 ohm
100V line tapplings: 15W/7.5W/3W/1W
Dispersion: 120° @ 1kHz, 32° @ 4kHz
Frequency range: 400Hz to 8kHz
Line monitoring: 2.2uF (transformer version)
 470uF (impedance version)

Duty: Continuous
Protection: IP66 (IP67)
Temp rating (°C): T4 -50 to +55°C
Cable entry: 2 x M20 ISO

Construction: LM6 aluminium housing, stainless steel guard and mounting bracket

Approval: II 2G Ex d IIC T4 (max ambient temperature +55°C)
 II 2G Ex d IIB T4 (max ambient temperature +70°C)
 II 2D Ex tD A21 IP67 T115 (DIP)

Certificate: IECEx (KEM 10.0003)



BExL25D



- 25W loud speaker
- Ex d IIC zone 1, 2, 21 and 22 (IECEx)
- Available with 8Ω or 16Ω impedance or with 100V line transformer
- 100V line tapplings
- IP66

Order Code	Impedance	Weight (kg)
ESS6708X	8 ohm	3.56
ESS6716X	16 ohm	
ESS6720X	100V line	3.95

Specifications:

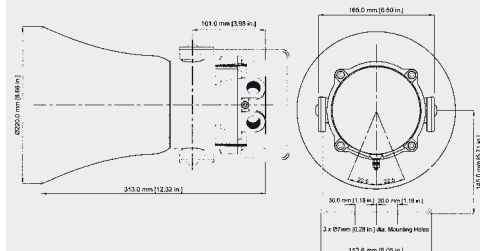
Power: 25W RMS
Sound output: Max: 119dB @ 15W @ 1m
Low impedance: 8 ohm or 16 ohm
100V line tapplings: 25W/12.5W/6W/2W
Dispersion: 130° @ 1kHz, 32° @ 4kHz
Frequency range: 300Hz to 8kHz
Line monitoring: 2.2uF (transformer version)
 470uF (impedance version)

Duty: Continuous
Protection: IP66 (IP67)
Temp rating (°C): T4 -50 to +55°C
Cable entry: 2 x M20 ISO (one stopping plug included)

Construction: LM6 aluminium housing, stainless steel guard and mounting bracket

Approval: II 2G Ex d IIC T4 (max ambient temperature +55°C)
 II 2G Ex d IIB T4 (max ambient temperature +70°C)
 II 2D Ex tD A21 IP67 T115 (DIP)

Certificate: IECEx (KEM 10.0003)



BExCP3A/B



CP3A/B-BG



CP3A/B-PB



CP3A/B-PT

- Break glass or push button manual call point
- Ex e d IIC zone 1, 2, 21 and 22 (IECEX)
- Alternative housing colours
- Optional stainless steel lift flap
- Optional duty label
- Optional series and EOL resistors (CP3B only)
- IP66

Order Code	Description
ESS05520R****	CP3A BG break glass, Red housing no flap, no duty label
ESS05520Y****	CP3A BG break glass, Yellow housing no flap, no duty label
ESS05523R****	CP3B BG break glass, Red housing no flap, no duty label
ESS05523Y****	CP3B BG break glass, Yellow housing no flap, no duty label
ESS05521R****	CP3A PB push button, Red housing no flap, no duty label
ESS05521Y****	CP3A PB push button, Yellow housing no flap, no duty label
ESS05525R****	CP3B PB push button, Red housing no flap, no duty label
ESS05525Y****	CP3B PB push button, Yellow housing no flap, no duty label
ESS05524R****	CP3A PT push button, tool reset Red housing no flap, no duty label
ESS05524Y****	CP3A PT push button, tool reset Yellow housing no flap, no duty label
ESS05526R****	CP3B PT push button, tool reset Red housing no flap, no duty label
ESS05526Y****	CP3B PT push button, tool reset Yellow housing no flap, no duty label

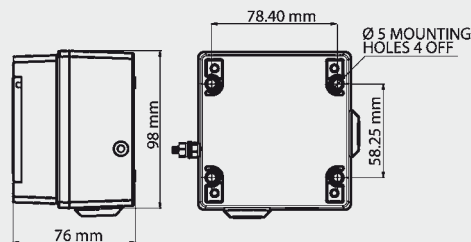
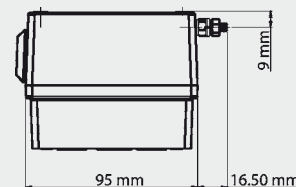
- *Add F for flap option
- *Add D for duty label option
- *Add E for end of line resistor (with resistor value)
- *Add S for series resistor (with resistor value)

Note: For applications that do not require monitoring resistors, or diodes order the BExCP3A version.

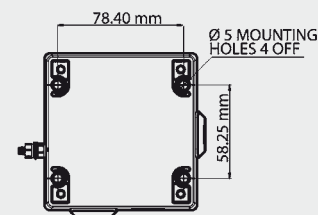
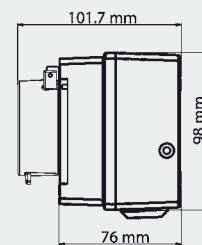
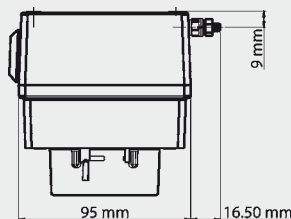
Specifications:

Input Voltage/current:	CP3A - 250VAC max, 5.0A max 50VDC max, 1.0A max
	CP3B - 48VDC, 0.75A max 24VDC, 1.0A max
Terminals:	CP3A - 6 x 4mm ² CP3B - 6 x 4mm ² or 8 x 2.5mm ² DIN rail
Protection:	IP66
Temp rating (°C):	T6 -40 to +55°C (CP3B +50°C)
Cable entry:	3 x M20 clearance holes top, bottom and side
Construction:	LM6 aluminium
Weight:	0.80kg
Approval:	CP3A - II 2G Ex e d IIC T6 (max ambient temperature +55°C) II 2D Ex t IIIIC T60°C Db
	CP3B - II 2G Ex e d mb IIC T4 (max ambient temperature +50°C) II 2D Ex t IIIIC T70°C Db
Certificate:	IECEX (SIR 09.0121X)

BG



PB-PT



Accessories and Spare Parts

Order Code	Description
ESS05909	Replacement Glass CP3/CP4

GNExB1X05



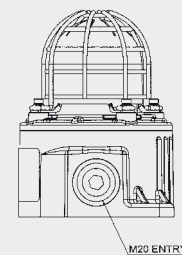
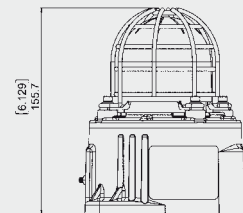
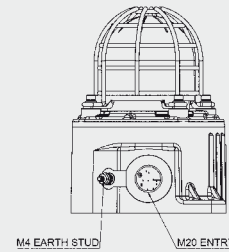
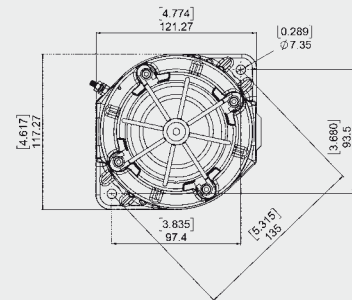
- 5J xenon strobe
- Ex d IIC zone 1, 2, 21 and 22 (IECEx)
- 3 flash rates on DC version with remote activation
- Automatic synchronisation on multi-beacon systems
- Line monitoring with blocking diode or optional EOL resistor
- User replaceable xenon tube
- IP66

Order Code	Voltage	Current
ESSG7101X*	12VDC	437mA
ESSG7111X*	24VDC	254mA
ESSG7141X*	48VDC	158mA
ESSG7121X*	115VAC ±10%	95mA
ESSG7131X*	230VAC ±10%	54mA

*Specify colour A = Amber, B = Blue, C = Clear, G = Green, R = Red, Y = Yellow, M = Magenta

Specifications:

Light intensity: Xenon 5J - 117cd(e)
Flash rate: DC - 60fpm, 90fpm, double flash
 AC - 60fpm
Protection: IP66
Duty: Continuous
Temp rating (°C): T4 -50 to +70°C
 T5 -50 to +55°C
 T6 -50 to +40°C
Cable entry: 2 x M20 x 1.5mm
 (one stopping plug included)
Construction: UV stable GRP housing, glass lens, stainless steel guard
Weight: 1.5kg
Approval: II 2 G Ex db IIC G b T4 (max ambient temperature +70°C)
 II 2 G Ex db IIC G b T5 (max ambient temperature +55°C)
 II 2 G Ex db IIC G b T6 (max ambient temperature +40°C)
 II 2D Ex tb IIIC Db T110°C (max ambient temperature +70°C)
Certificate: IECEx UL 15.0003X



Dimensions in mm and (inches)

GNExB2X



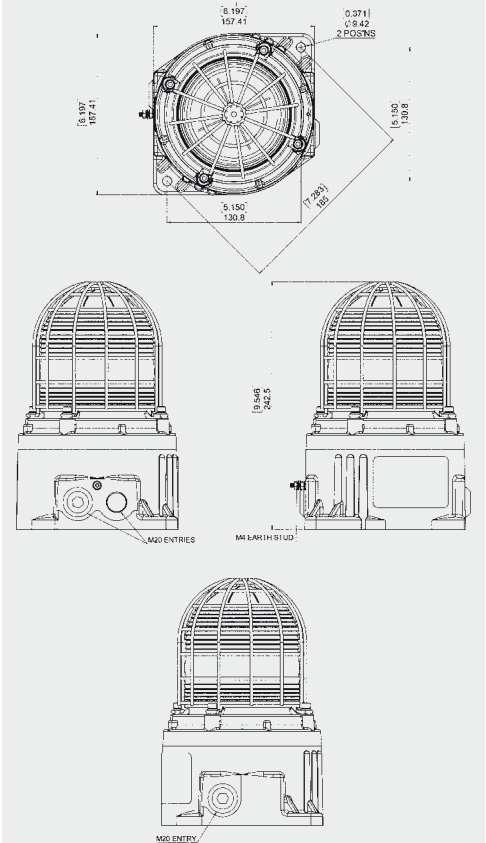
- 10, 15 and 21J xenon strobe beacon.
- Ex d IIC zone 1, 2, 21 and 22 (IECEX)
- Automatic synchronisation on multi-beacon systems
- 3 flash patterns
- Line monitoring with blocking diode or optional EOL resistor
- User replaceable xenon tube
- IP66

Order Code	Voltage	Current
GNExB2X - 10J xenon		
ESSG7112X*	20-28VDC	528mA
ESSG7142X*	42-54VDC	229mA
ESSG7122X*	115VAC ±10%	276mA
ESSG7132X*	230VAC ±10%	130mA
GNExB2X - 15J xenon		
ESSG7113X*	20-28VDC	822mA
ESSG7143X*	42-54VDC	342mA
ESSG7123X*	115VAC ±10%	328mA
ESSG7133X*	230VAC ±10%	168mA
GNExB2X - 21J xenon		
ESSG7114X*	20-28VDC	944mA
ESSG7144X*	42-54VDC	428mA
ESSG7124X*	115VAC ±10%	464mA
ESSG7134X*	230VAC ±10%	250mA

*Specify colour A = Amber, B = Blue, C = Clear, G = Green, R = Red, Y = Yellow, M = Magenta

Specifications:

- Light intensity:**
 10J - 479cd(e)
 15J - 666cd(e)
 21J - 902cd(e)
- Flash rate:**
 10J and 15J - 60fpm, 90fpm, double flash
 21J - 60fpm, double flash, alternate flash
- Protection:**
 IP66
- Duty:**
 Continuous
- Temp rating (°C):**
 T4 -50 to +70°C
 T5 -50 to +40°C
 (-50 to +70°C on 10J)
 T6 -50 to +55°C
 (not applicable to 15J and 21J)
- Cable entry:**
 3 x M20 x 1.5mm
 (two stopping plugs included)
- Construction:**
 UV stable GRP housing, glass lens, stainless steel guard
- Weight:**
 3.5kg
- Approval:**
 II 2 G Ex db IIC G b T4 (max ambient temperature +70°C) 15J and 21J only
 II 2 G Ex db IIC G b T5 (max ambient temperature +40°C) 15J only
 II 2 G Ex db IIC G b T5 (max ambient temperature +70°C) 10J only
 II 2 G Ex db IIC G b T6 (max ambient temperature +55°C) 10J only
 II 2 D Ex tb IIIC Db T95°C (10J xenon)
 II 2 D Ex tb IIIC Db T120°C (15J xenon)
 II 2D Ex tb IIIC Db T130°C (21J xenon)
- Certificate:**
 IECEx UL 15.0003X



Dimensions in mm and (inches)

GNExB2LD2



- Multifunction LED Beacon
- Ex d IIC zone 1, 2 (IECEx)
- 7 flash patterns on LED version
- Automatic synchronisation on multi-beacon systems
- 3 stage alarm, remotely selectable on DC versions
- Line monitoring with blocking diode or optional EOL resistor
- IP66

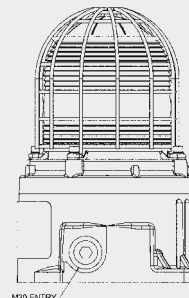
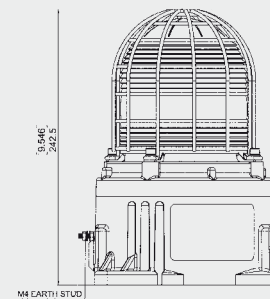
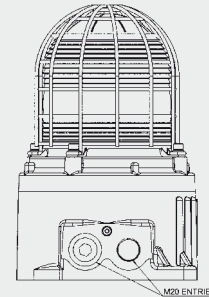
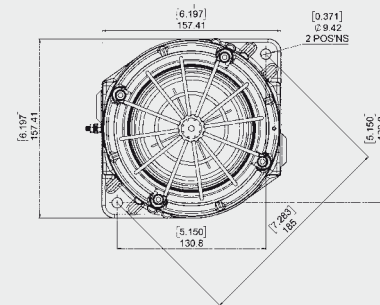
Order Code	Voltage	Current
ESSG7711*	18-50VDC	240mA @24VDC
ESSG7721*	115VAC ±10%	95mA
ESSG7731*	230VAC ±10%	48mA

Flash Patterns LED versions

Stage 1 (selectable on board)	Stage 2 (remotely selectable)	Stage 3 (remotely selectable)
Steady High Power	Flashing 1Hz	Triple Strike Flash
Steady Low Power	Flashing 1Hz	Triple Strike Flash
Flashing 1Hz	2 x Flash 2Hz	Triple Strike Flash
Flashing 1.5Hz	Flashing 2Hz	Double Strike Flash
Flashing 2Hz	Triple Strike Flash	Triple Strike Flash
Double Strike Flash	Steady High Power	Triple Strike Flash
Triple Strike Flash	Flashing 2Hz	Double Strike Flash

Specifications:

Light intensity: 338cd(e) flash
Flash rate: 7 flash patterns see list below
Protection: IP66
Duty: Continuous
Temp rating (°C): T5 -50 to +70°C
 T6 -50 to +65°C
Cable entry: 3 x M20 x 1.5mm
 (two stopping plugs included)
Construction: UV stable GRP housing, glass lens, stainless steel guard
Weight: 3.5kg
Approval: II 2 G Ex db IIC G b T6 (max ambient temperature +65°C)
 II 2 G Ex db IIC G b T5 (max ambient temperature +70°C)
 II 2 D Ex tb IIIC Db T85°C (max ambient temperature +70°C)
Certificate: IECEx UL 15.0003X



Dimensions in mm and (inches)

GNEExS1 - GNEExS1-R



GNEExS1

- Electronic sounder up to 117dB
- Available with flare or omnidirectional radial horn
- Ex d IIC zone 1 and 2 (IECEX)
- 45 tones, includes ISO tones to Australian Standards
- Automatic synchronisation on multi-sounder systems*
- Volume control
- Four stage alarm
- Line monitoring with blocking diode or optional EOL resistor
- IP66

Order Code GNEExS1 Flare Horn	Order Code GNEExS1-R Radial Horn	Voltage	Current
ESSG6010X	ESSG6010XR	10-30VDC	140mA
ESSG6015X	ESSG6015XR	30-60VDC	73mA
ESSG6030X	ESSG6030XR	100-260VAC	86mA

Specifications:

Sound output: Max: 117dB @ 1m (flare horn)
115dB @ 1m (radial horn)
Nominal: 110-72dB with volume control

Sound frequency: 45 tones see tone list on page 13-27, 28

Protection: IP66 (IP67)

Temp rating (°C): T4 -50 to +50°C

Duty: Continuous

Cable entry: 2 x M20 ISO (one stopping plug included)

Construction: UV stable GRP housing, stainless steel mounting bracket, ABS flare

Weight: DC – 3.35kg, AC – 3.55kg

Approval: II 2G Ex d IIC T4 (max ambient temperature +50°C)
II 2G Ex d IIC T3 (max ambient temperature +70°C)
II 2G Ex d IIB T6 (max ambient temperature +70°C)

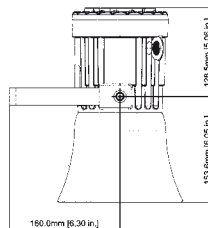
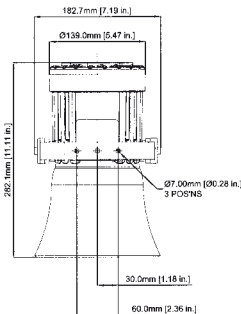
Certificate: IECEx SIR 13.0029X

* Synchronisation requires sounders to be connected to the same supply

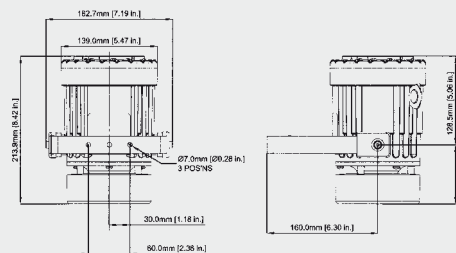


GNEExS1-R

GNEExS1



GNEExS1-R



GNEExS2



- Electronic sounder up to 123dB
- Ex d IIC zone 1 and 2 (IECEX)
- 45 tones, includes ISO tones to Australian Standards
- Automatic synchronisation on multi-sounder systems*
- Volume control
- Four stage alarm
- Line monitoring with blocking diode or optional EOL resistor
- IP66

Order Code	Voltage	Current
ESSG6210X	10-30VDC	811mA
ESSG6215X	38-60VDC	434mA
ESSG6230X	100-230VAC	297mA

Specifications:

Sound output: Max: 123dB @ 1m
Nominal: 117-108dB with volume control

Sound frequency: 45 tones see tone list on page 13-27, 28

Protection: IP66 (IP67)

Temp rating (°C): T4 -50 to +50°C

Duty: Continuous

Cable entry: 2 x M20 ISO (one stopping plug included)

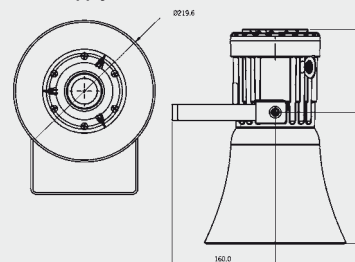
Construction: UV stable GRP housing, stainless steel mounting bracket, ABS flare

Weight: DC – 3.35kg, AC – 3.55kg

Approval: II 2G Ex d IIC T4 (max ambient temperature +50°C)
II 2G Ex d IIC T3 (max ambient temperature +58°C)
II 2G Ex d IIB T6 (max ambient temperature +50°C)

Certificate: IECEx SIR 13.0029X

* Synchronisation requires sounders to be connected to the same supply



Dimensions in mm

GNExL1

- 15W loud speaker
- Ex d IIC zone 1, 2 (IECEX)
- Available with 8Ω or 16Ω impedance or with 100V line transformer
- 70/100V line tapplings
- IP66



Order Code	Impedance
ESSG6608X	8 ohm
ESSG6616X	16 ohm
ESSG6620X	70/100V line

Specifications:

Power: 15W RMS
Sound output: Max: 113dB @ 15W @ 1m
Low impedance: 8 ohm or 16 ohm
70/100V line tapplings: 15W/7.5W/3W/1W
Dispersion: 120° @ 1kHz, 32° @ 4kHz
Frequency range: 400Hz to 8kHz
Line monitoring: 2.2uF (transformer version)
 470uF (impedance version)

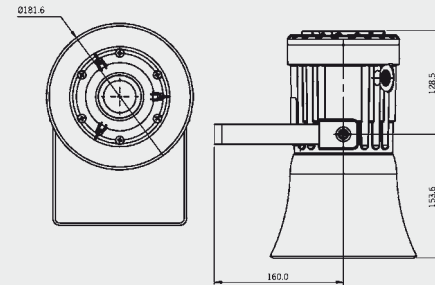
Protection: IP66 (IP67)
Temp rating (°C): T4 -50 to +50°C
 T3 -50 to +70°C

Duty: Continuous
Cable entry: 2 x M20 ISO
 (one stopping plug included)

Construction: GRP housing, stainless steel mounting bracket

Weight: 3.85kg
Approval: II 2G Ex d IIC T4 (max ambient temperature +50°C)
 II 2G Ex d IIC T3 (max ambient temperature +70°C)

Certificate: IECEx SIR 13.0029X



Dimensions in mm

GNExL2

- 25W loud speaker
- Ex d IIC zone 1, 2 (IECEX)
- Available with 8Ω or 16Ω impedance or with 100V line transformer
- 70/100V line tapplings
- IP66



Order Code	Impedance
ESSG6708X	8 ohm
ESSG6716X	16 ohm
ESSG6720X	70/100V line

Specifications:

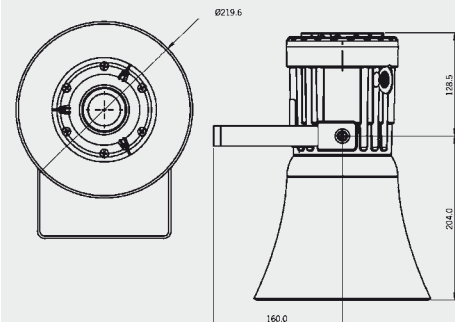
Power: 25W RMS
Sound output: Max: 119dB @ 15W @ 1m
Low impedance: 8 ohm or 16 ohm
100V line tapplings: 25W/12.5W/6W/2W
Dispersion: 130° @ 1kHz, 32° @ 4kHz
Frequency range: 300Hz to 8kHz
Line monitoring: 2.2uF (transformer version)
 470uF (impedance version)

Protection: IP66 (IP67)
Temp rating (°C): T4 -50 to +55°C
Duty: Continuous
Cable entry: 2 x M20 ISO
 (one stopping plug included)

Construction: GRP housing, stainless steel mounting bracket

Weight: 4.10kg
Approval: II 2G Ex d IIC T4 (max ambient temperature +55°C)

Certificate: IECEx SIR 13.0029X



Dimensions in mm

GNExCP6A/B



- Break glass or push button manual call point
- Ex e d IIC zone 1, 2, 21 and 22 (IECEx)
- Alternative housing colours
- Single or double pole switch
- Optional stainless steel lift flap
- Optional duty label
- Optional LED indicator
- Optional series and EOL resistors (CP6B only)
- IP66

Order Code	Description
ESSG05520R****	CP6A BG break glass, Red housing no flap, no duty label 2CO contacts
ESSG05520Y****	CP6A BG break glass, Yellow housing no flap, no duty label 2CO contacts
ESSG05523R****	CP6B BG break glass, Red housing no flap, no duty label 2CO contacts
ESSG05523Y****	CP6B BG break glass, Yellow housing no flap, no duty label 2CO contacts
ESSG05521R****	CP6A PB push button, Red housing no flap, no duty label 2CO contacts
ESSG05521Y****	CP6A PB push button, Yellow housing no flap, no duty label 2CO contacts
ESSG05525R****	CP6B PB push button, Red housing no flap, no duty label 2CO contacts
ESSG05525Y****	CP6B PB push button, Yellow housing no flap, no duty label 2CO contacts
ESSG05524R****	CP6A PT push button, tool reset Red housing no flap, no duty label 2CO contacts
ESSG05524Y****	CP6A PT push button, tool reset Yellow housing no flap, no duty label 2CO contacts
ESSG05526R****	CP6B PT push button, tool reset Red housing no flap, no duty label 2CO contacts
ESSG05526Y****	CP6B PT push button, tool reset Yellow housing no flap, no duty label 2CO contacts

*Add F for flap option

*Add D for duty label option

*Add L for LED

*Add E for end of line resistor (with resistor value)

*Add S for series resistor (with resistor value)

Note: For applications that do not require monitoring resistors, diodes or indicator LED's order the GNExCP6A version.

Specifications:

Input Voltage/current: **CP6A** - 250VAC max, 5.0A max
50VDC max, 1.0A max
CP6B - 48VDC, 0.75A max
24VDC, 1.0A max

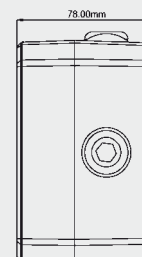
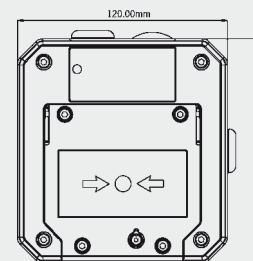
Terminals: **CP6A** - 6 x 4mm²
CP6B - 6 x 4mm² or
8 x 2.5mm² DIN rail

Protection: IP66
Temp rating (°C): **T6** -40 to +55°C (CP6B +50°C)
Cable entry: 3 x M20 clearance holes top,
bottom and side

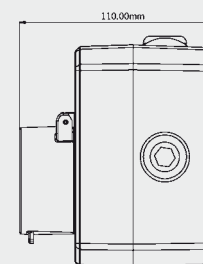
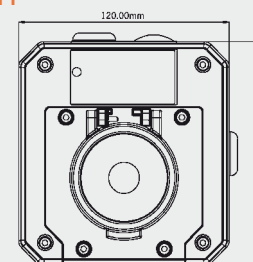
Construction: GRP
Weight: 1.20kg
Approval: **CP6A** - II 2G Ex e d IIC T6
II 2D Ex t IIIC T60°C
CP6B - II 2G Ex e d mb IIC T4
(max ambient
temperature +50°C)
II 2D Ex t IIIC T80°C

Certificate: IECEx (SIR 09.0121X)

CP6A/B- BG



CP6A/B- PB/PT



Accessories and Spare Parts

Order Code	Description
ESS05909	Replacement Glass CP6/CP8

STExB2X

- 10, 15 and 21J xenon strobe beacon.
- Ex d IIC zone 1, 2, 21 and 22 (IECEx)
- Automatic synchronisation on multi-beacon systems
- 3 flash patterns
- Line monitoring with blocking diode or optional EOL resistor
- User replaceable xenon tube
- IP66



Order Code	Voltage	Current
STExB2X - 10J xenon		
ESSR7112X*	20-28VDC	528mA
ESSR7142X*	42-54VDC	229mA
ESSR7122X*	115VAC ± 10%	276mA
ESSR7132X*	230VAC ± 10%	130mA
STExB2X - 15J xenon		
ESSR7113X*	20-28VDC	822mA
ESSR7143X*	42-54VDC	342mA
ESSR7123X*	115VAC ± 10%	328mA
ESSR7133X*	230VAC ± 10%	168mA
STExB2X - 21J xenon		
ESSR7114X*	20-28VDC	944mA
ESSR7144X*	42-54VDC	428mA
ESSR7124X*	115VAC ± 10%	464mA
ESSR7134X*	230VAC ± 10%	250mA

*Specify colour A = Amber, B = Blue, C = Clear, G = Green, R = Red, Y = Yellow, M = Magenta

Specifications:

Light intensity: 10J - 479cd(e)
15J - 666cd(e)
21J - 902cd(e)

Flash rate: 10J and 15J - 60fpm, 90fpm, double flash
21J - 60fpm, double flash, alternate flash

Protection: IP66

Duty: Continuous

Temperature range: -50 to +70°C

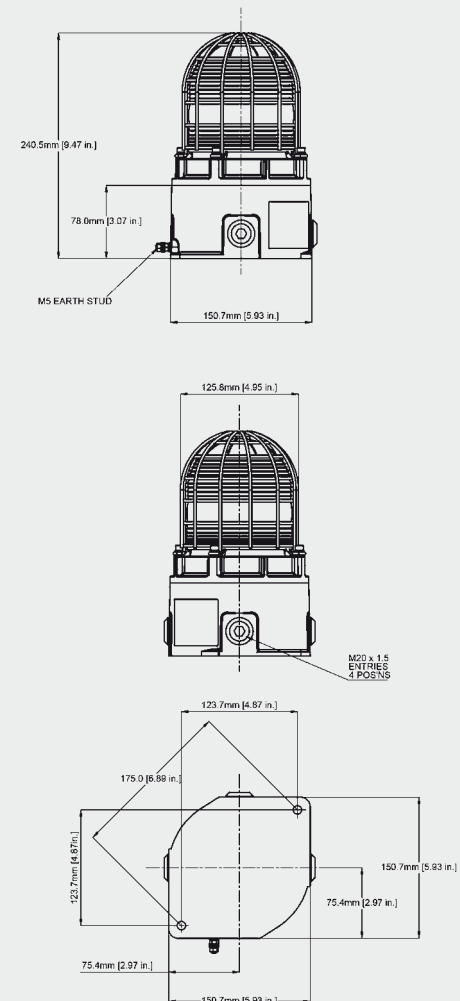
Cable entry: 4 x M20 x 1.5mm (3 stopping plugs included)

Construction: 316L stainless steel, glass lens, polycarbonate colour filter

Weight: 6kg

Approval: Ex db IIC G b T4 (max ambient temperature +70°C) 10J and 15J only
Ex db IIC G b T4 (max ambient temperature +65°C) 21J only
Ex db IIC Gb T3 (max ambient temperature +70°C) 21J only
Ex db IIC G b T5 (max ambient temperature +55°C) 10J only
Ex db IIC G b T6 (max ambient temperature +40°C) 10J only
Ex tb IIIC Db T110°C (10J xenon)
Ex tb IIIC Db T130°C (15J xenon)
Ex tb IIIC Db T135°C (21J xenon)

Certificate: IECEx ULD 16.0017X



STExB2LD2



- Multifunction LED Beacon
- Ex d IIC zone 1, 2 (IECEX)
- 7 flash patterns on LED version
- Automatic synchronisation on multi-beacon systems
- 3 stage alarm, remotely selectable on DC versions
- Line monitoring with blocking diode or optional EOL resistor
- IP66

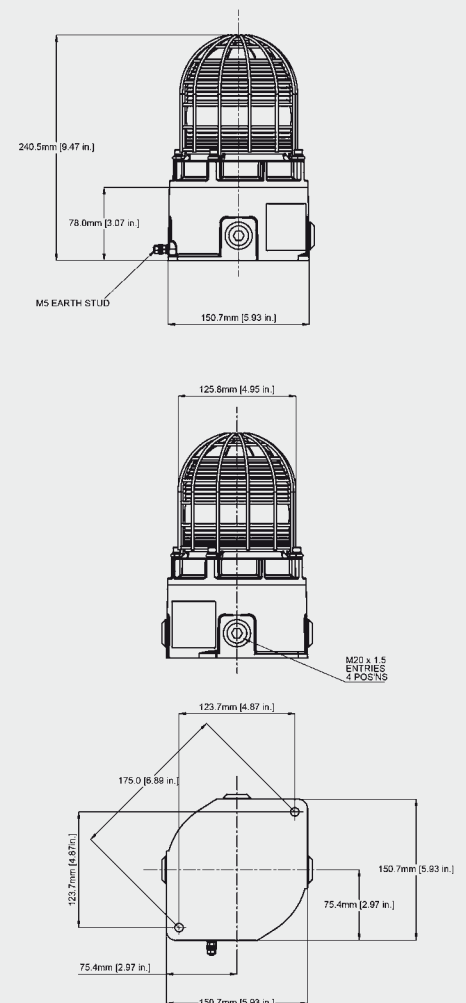
Order Code	Voltage	Current
ESSR7711*	18-50VDC	240mA @24VDC
ESSR7721*	115VAC ±10%	95mA
ESSR7731*	230VAC ±10%	48mA

Flash Patterns LED versions

Stage 1 (selectable on board)	Stage 2 (remotely selectable)	Stage 3 (remotely selectable)
Steady High Power	Flashing 1Hz	Triple Strike Flash
Steady Low Power	Flashing 1Hz	Triple Strike Flash
Flashing 1Hz	2 x Flash 2Hz	Triple Strike Flash
Flashing 1.5Hz	Flashing 2Hz	Double Strike Flash
Flashing 2Hz	Triple Strike Flash	Triple Strike Flash
Double Strike Flash	Steady High Power	Triple Strike Flash
Triple Strike Flash	Flashing 2Hz	Double Strike Flash

Specifications:

Light intensity: 338cd(e) flash
Flash rate: 7 flash patterns see list below
Protection: IP66
Duty: Continuous
Temp rating (°C): -50 to +70°C
Cable entry: 4 x M20 x 1.5mm
 (3 stopping plugs included)
Construction: 316L stainless steel, glass lens, polycarbonate colour filter, stainless steel guard and bracket.
Weight: 6kg
Approval: II 2 G Ex db IIC G b T6 (max ambient temperature +65°C)
 II 2 G Ex db IIC G b T5 (max ambient temperature +70°C)
 II 2 D Ex tb IIIC Db T85°C (max ambient temperature +70°C)
Certificate: IECEX ULD 16.0017X



STExS1F - STExS1R

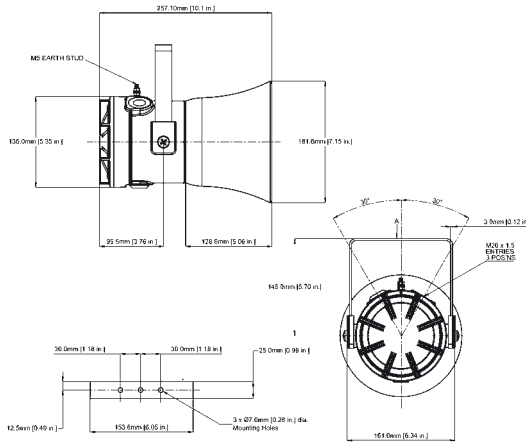


STExS1F

- Electronic sounder up to 117dB
- Available with flare or omnidirectional radial horn
- Ex d IIC zone 1 and 2 (IECEX)
- 64 tones, includes ISO tones to Australian Standards
- Automatic synchronisation on multi-sounder systems*
- Volume control
- Four stage alarm
- Line monitoring with blocking diode or optional EOL resistor
- IP66

Order Code GNExS1 Flare Horn	Order Code GNExS1-R Radial Horn	Voltage	Current
ESSR6010X	ESSR6010XR	10-30VDC	217mA
ESSR6015X	ESSR6015XR	30-60VDC	77mA
ESSR6030X	ESSR6030XR	100-260VAC	53mA

STExS1F



STExS1R

Specifications:

Sound output: Max: 117dB @ 1m (flare horn)
115dB @ 1m (radial horn)
Nominal: 113-101dB with volume control (110dB-98dB with radialhorn).

Sound frequency: 64 tones see tone list on page 13-29

Protection: IP66 (IP67)

Temp rating (°C): -50 to +70°C

Duty: Continuous

Cable entry: 3 x M20 ISO (two stopping plugs included)

Construction: 316L stainless steel housing, and mounting bracket, ABS flare.

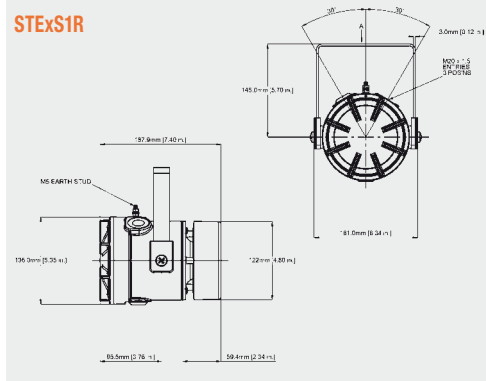
Weight: 6.25kg

Approval: II 2G Ex d IIC T6 (max ambient temperature +65°C)
II 2G Ex d IIC T5 (max ambient temperature +70°C)
Ex tb IIC Db T85°C
IECEX ULD 16.0017X

Certificate:

* Synchronisation requires sounders to be connected to the same supply

STExS1R

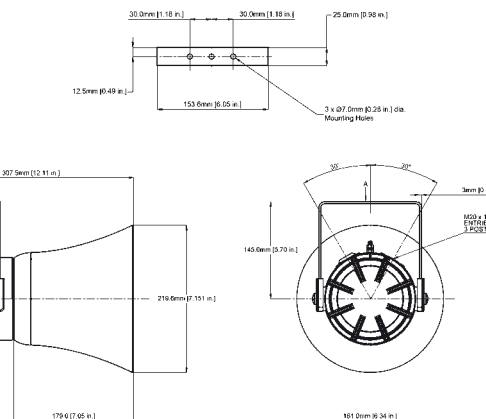


STExS2



- Electronic sounder up to 123dB
- Ex d IIC zone 1 and 2 (IECEX)
- 64 tones, includes ISO tones to Australian Standards
- Automatic synchronisation on multi-sounder systems*
- Volume control
- Four stage alarm
- Line monitoring with blocking diode or optional EOL resistor
- IP66

Order Code	Voltage	Current
ESSR6210X	10-30VDC	924mA
ESSR6215X	38-60VDC	268mA
ESSR6230X	100-230VAC	159mA



Specifications:

Sound output: Max: 123dB @ 1m
Nominal: 117-105dB with volume control

Sound frequency: 64 tones see tone list on page 13-29

Protection: IP66 (IP67)

Temperature range: -50 to +70°C

Duty: Continuous

Cable entry: 3 x M20 ISO (two stopping plugs included)

Construction: 316L stainless steel housing, and mounting bracket, ABS flare

Weight: 6.55kg

Approval: II 2G Ex d IIC T6 (max ambient temperature +45°C)
II 2G Ex d IIC T5 (max ambient temperature +60°C)
Ex db IIC T4 (max ambient temperature +70°C)
Ex tb IIC Db T105°C
IECEX ULD 16.0017X

Certificate:

* Synchronisation requires sounders to be connected to the same supply

STExC1X05F – STExC1X05R



STExC1X05F



STExC1X05R

- Electronic sounder with xenon beacon
- Available with flare or omnidirectional radial horn
- Ex d IIC zone 1, 2, 21 and 22(IECEx)
- 64 tones, includes ISO tones to Australian Standards
- Automatic synchronisation on multi-sounder and beacon systems*
- Selectable flash rates
- Sounder and beacon controlled independently
- Volume control
- Four stage alarm
- Line monitoring with blocking diode or optional EOL resistor
- IP66

Specifications:

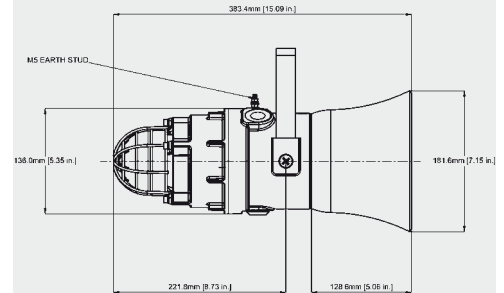
Sound output:	Max: 117dB (A) @ 1m (flare horn) 115dB (A) @ 1m (radial horn) Nominal: 117 -105dB with volume control (flare horn) 110-98dB with volume control (radial horn)
Sound frequency:	64 tones see tone list on page 13-29
Flash energy:	5J
Light output:	143cd(e)
Flash rate:	60fpm, 90fpm, double flash
Duty:	Continuous
Protection:	IP66 (IP67)
Cable entry:	3 x M20 ISO (two stopping plugs included)
Construction:	316L stainless steel housing, and mounting bracket, ABS flare
Weight:	7.45kg
Approval:	II 2G Ex db IIC Gb T6 (max ambient temperature +40°C) II 2G Ex db IIC Gb T5 (max ambient temperature +55°C) II 2G Ex db IIC Gb T4 (max ambient temperature +70°C) II 2D Ex tb IIIC Db T110°C
Certificate:	IECEx ULD 16.0017X

* Synchronisation requires sounders to be connected to the same supply

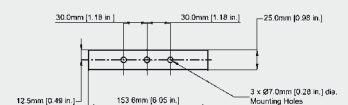
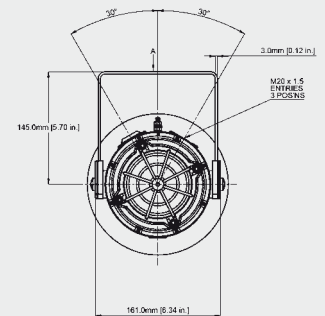
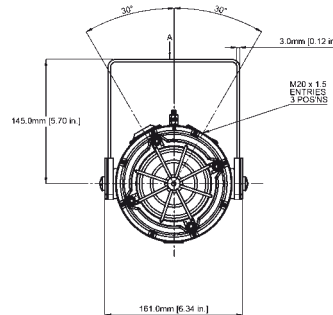
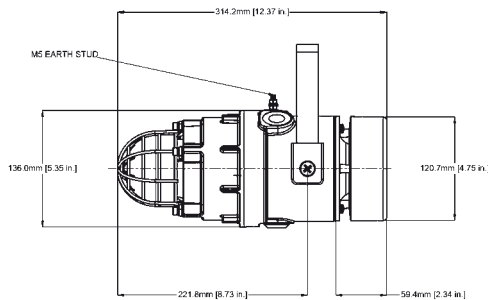
Order Code DF Flare Horn	Order Code DR Radial Horn	Voltage	Current Sounder	Current Beacon
ESSR6805X*	ESSR6805XR*	12VDC±25%	146mA	678mA
ESSR6810X*	ESSR6810XR*	24VDC±25%	185mA	323mA
ESSR6815X*	ESSR6815XR*	48VDC±25%	138mA	198mA
ESSR6830X*	ESSR6830XR*	230VAC ± 10%	21mA	79mA

*Specify colour A = Amber, B = Blue, G = Green, R = Red, Y = Yellow

STExC1F



STExC1R



STExL1F

- 15W loud speaker
- Ex d IIC zone 1, 2 (IECEX)
- Available with 8Ω or 16Ω coil or with 100V line transformer
- 70/100V line tapplings
- IP66



Order Code	Impedance
ESSR6608X	8 ohm
ESSR6616X	16 ohm
ESSR6620X	70/100V line

Specifications:

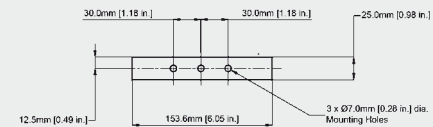
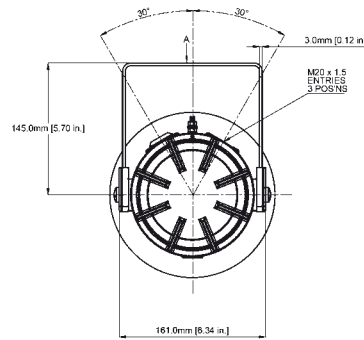
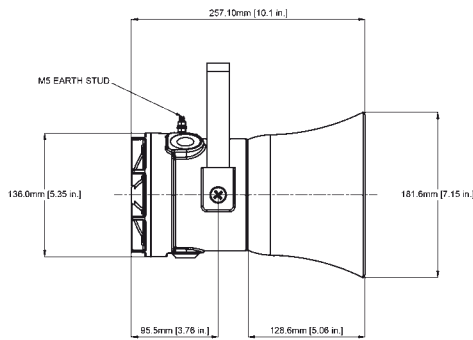
Power: 15W RMS
Sound output: Max: 113dB @ 15W @1m
Low impedance: 8 ohm or 16 ohm
70/100V line tapplings: 15W/7.5W/3W/1W
Dispersion: 120° @ 1kHz, 32° @ 4kHz
Frequency range: 400Hz to 8kHz
Line monitoring: 2.2uF (transformer version)
 470uF (impedance version)

Protection: IP66
Temperature range: -50 to +70°C
Duty: Continuous
Cable entry: 3 x M20 ISO
 (two stopping plugs included)

Construction: 316L stainless steel housing, and mounting bracket, ABS flare

Weight: 6.25kg
Approval: Ex db IIC Gb T6 (max ambient temperature +55°C)
 Ex db IIC Gb T5 (max ambient temperature +70°C)
 Ex tb IIC Db T95°C
 IECEX ULD 16.0017X

Certificate:



STExL2F

- 25W loud speaker
- Ex d IIC zone 1, 2 (IECEX)
- Available with 8Ω or 16Ω coil or with 100V line transformer
- 70/100V line tapplings
- IP66



Order Code	Impedance
ESSR6708X	8 ohm
ESSR6716X	16 ohm
ESSR6720X	70/100V line

Specifications:

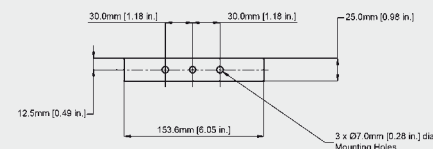
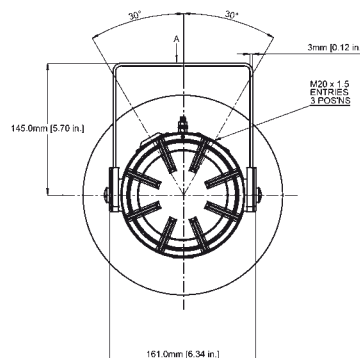
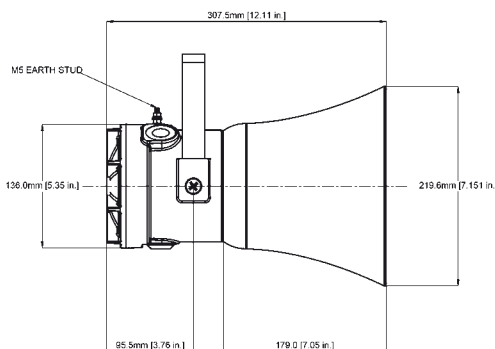
Power: 25W RMS
Sound output: Max: 119dB @ 15W @1m
Low impedance: 8 ohm or 16 ohm
100V line tapplings: 25W/12.5W/6W/2W
Dispersion: 130° @ 1kHz, 32° @ 4kHz
Frequency range: 300Hz to 8kHz
Line monitoring: 2.2uF (transformer version)
 470uF (impedance version)

Protection: IP66
Temperature range: -50 to +70°C
Duty: Continuous
Cable entry: 3 x M20 ISO
 (two stopping plugs included)

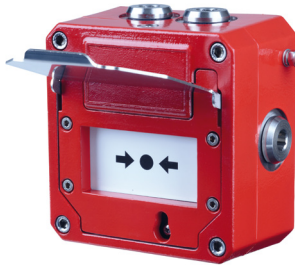
Construction: 316L stainless steel housing, and mounting bracket, ABS flare

Weight: 6.25kg
Approval: Ex db IIC Gb T6 (max ambient temperature +45°C)
 Ex db IIC Gb T5 (max ambient temperature +60°C)
 Ex db IIC T4 (max ambient temperature +70°C)
 Ex tb IIC Db T105°C
 IECEX ULD 16.0017X

Certificate:



STExCP8



STExCP8-BG



STExCP8-PB



STExCP8-PT-M

- Break glass or push button manual call point
- Ex d IIC zone 1 and 2 (IECEx)
- Alternative housing colours
- Single or double pole switch
- Optional stainless steel lift flap
- Optional duty label
- Optional series and EOL resistors, and diodes
- IP66

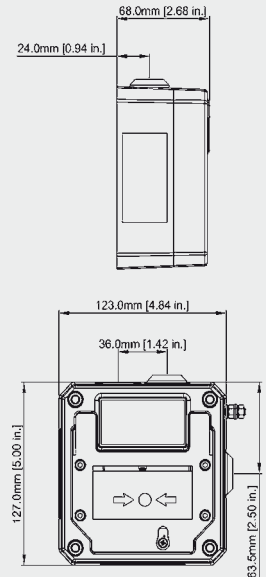
Order Code	Description
ESSR05510#****	STExCP8-BG break glass, no flap, no duty label, no resistors, single switch
ESSR05520#****	STExCP8-BG break glass, no flap, no duty label, no resistors, double switch
ESSR05511#****	STExCP8-PB push button, latching, no flap, no duty label, no resistors, single switch
ESSR05521#****	STExCP8-PB push button, latching, no flap, no duty label, no resistors, double switch
ESSR05514#****	STExCP8-PT push button, tool reset, with flap, no duty label, no resistors, single switch
ESSR05524#****	STExCP8-PT push button, tool reset, with flap, no duty label, no resistors, double switch
ESSR05517#****	STExCP8-M push button, non-latching with flap, no duty label, no resistors, single switch
ESSR05527#****	STExCP8-M push button, non-latching with flap, no duty label, no resistors, double switch

- *Specify colour R = Red, Y = Yellow, B = Blue, N = Green, K = Black, V = Red/white, S = Yellow/black
- *Add F for flap option (only applicable for STExCP8-BG)
- *Add D for duty label option
- *Add E for end of line resistor (with resistor value)
- *Add ED1 for end of line diode
- *Add EZ for end of line Zener diode
- *Add S for series resistor (with resistor value)
- *Add SD1 for series diode
- *Add SZ for series Zener diode

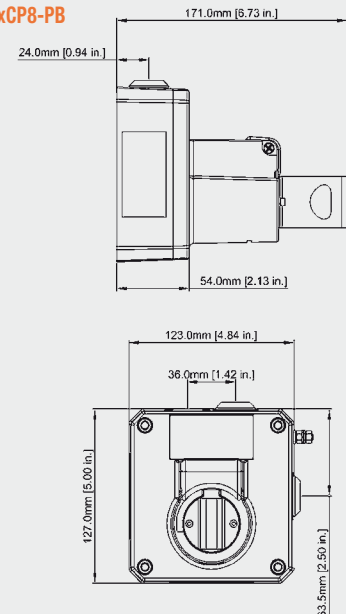
Specifications:

- Input Voltage/current:**
- 250VAC max, 5.0A max (no EOL/series resistors permitted)
 - 48VDC max, 1.0A max (min 2.2kohm resistor)
 - 24VDC max, 3.0A max (min 470ohm resistor)
- Terminals:**
- Din rail 8 x 2.5mm² or termination board with 6 x 2.5mm² plus 4 x dedicated EOL & series terminals
- Protection:**
- Temp rating (°C):** -50 to +70°C
- Cable entry:** 3 x M20 x 1.5 (2 on top, 1 on side)
- Construction:** 316L stainless steel
- Weight:** 1.20kg
- Approval:** Ex db IIC T6 Gb (max ambient temperature +70°C) single switch. Ex db IIC T5 Gb (max ambient temperature +70°C) double switch. Ex db IIC T6 Gb (max ambient temperature +60°C) double switch
- Certificate:** IECEx ULD 15.0018X

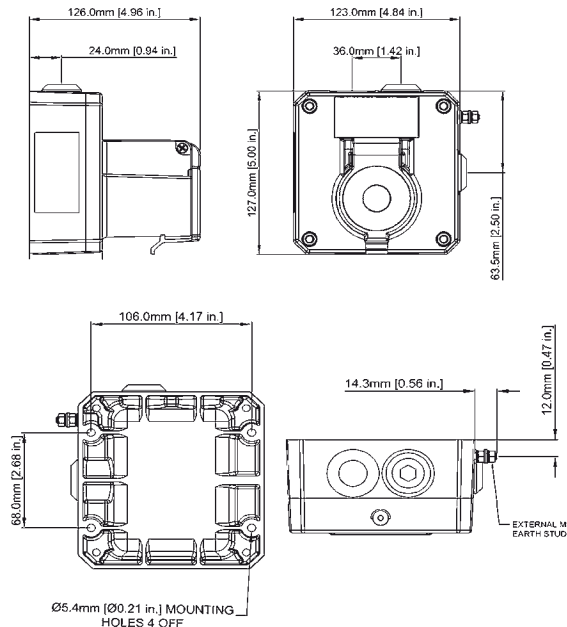
STExCP8-BG



STExCP8-PB



STExCP8-PT-M



L101L-IS



- High output LED
- IECEx EExia IIC T4 Intrinsically Safe, zone 0
- IP66
- Combines with A105N-IS to form sounder/beacon

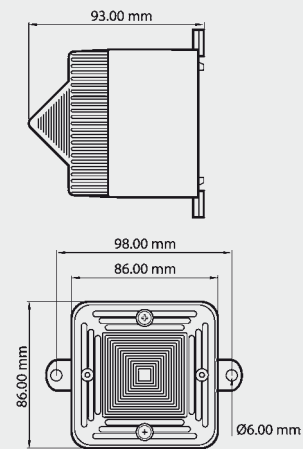
Order Code	Description
ESS7010ISX*	IS-L101L beacon
MTL7728	MTL7728+ I/S barrier 28V

*Specify colour A = Amber, B = Blue, G = Green, R = Red

Specifications:

Voltage: 10-28VDC via zener barrier
Current: 25mA
Light Source: High output LED's
Flash Rate: Stand-alone mode- 120fmp
 With IS-A105N - 60 fpm (alarm on), 120fpm (alarm accepted)
Protection: IP56
Temp Rating (°C): -40 to +60
Duty: Continuous
Cable Entry: 1 x 20mm gland knockouts
Construction: Flame retardant ABS
Weight: 0.4Kg
Approval: EEx ia IIC T4
Certificate: IECEx (SIR 04.0039X)

Unit may be powered by any certified zener barrier with output parameters not exceeding-Uo: 28VDC Io: 110mA Po: 0.8W



IS-MB1



- High output LED
- ANZEx and IECEx EExia IIC T4 Intrinsically Safe, zone 0
- 2 flash modes
- IP65

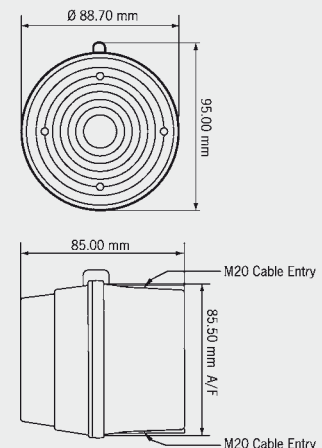
Order Code	Description
ESS0720*AS	IS-MB1 beacon
MTL7728	MTL7728+ I/S barrier 28V

*Specify colour A = Amber, B = Blue, G = Green, R = Red

Specifications:

Voltage: 16-28VDC via zener barrier
Current: 25mA
Light Output: 23cd(e)
Flash Rate: 1Hz or 2Hz selectable
Protection: IP65
Temp Rating (°C): -40 to +60
Duty: Continuous
Cable Entry: 2 x 20mm gland knockouts
Construction: Flame retardant ABS
Weight: 0.4Kg
Approval: EEx ia IIC T4
Certificate No.: ANZEx (07.4044X), IECEx (SIR 06.0045X)

Unit may be powered by any certified zener barrier with output parameters not exceeding-Uo: 28VDC Io: 93mA Po: 0.66W



IS-A105N



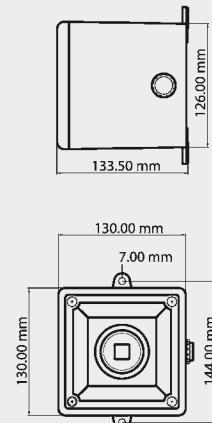
- Electronic sounder up to 105dB
- IECEx EExia IIC T4 Intrinsically Safe, zone 0
- 49 tones
- 3 stage alarm
- Automatically synchronises on multi-sounder systems
- Combines with L101L-IS beacon
- IP66

Order Code	Description
ESS2010ISCX	IS-A105N sounder
MTL7728	MTL7728+ I/S barrier 28V
ESS97006	IS-A105N- ISL101L combination kit

Specifications:

Voltage:	8-30V.d.c. via zener barrier
Current:	25mA at nominal voltage
Sound output:	105dB @1m
Sound Frequency:	49 tones see tone list on page 13-28
Protection:	IP66
Temp Rating (°C):	-40 to +60
Duty:	Continuous
Cable Entry:	2 x 20mm gland knockouts
Construction:	Flame retardant ABS
Weight:	0.75Kg
Approval:	EEx ia IIC T4
Certificate No:	IECEX (SIR 04. 0038X)

Unit may be powered by any certified zener barrier with output parameters not exceeding-Uo: 28VDC Io: 110mA Po: 0.85W



IS-MA1 and IS-MC1



- Electronic sounder or sounder/beacon up to 100dB @ 1m
- ANZEx and IECEx EExia IIC T4 Intrinsically Safe, zone 0
- 49 tones
- 3 stage alarm
- Automatically synchronises on multi-sounder systems (sounder only)
- IP65

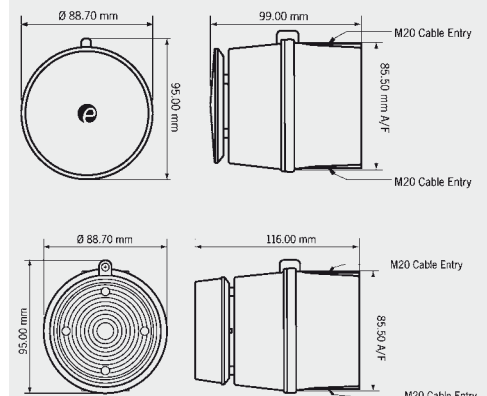
Order Code	Description
ESS0710AS	IS-MA1 sounder
ESS0730*AS	IS-MC1 sounder/beacon
MTL7728	MTL7728+ I/S barrier 28V

*Specify colour A = Amber, B = Blue, G = Green, R = Red

Specifications:

Voltage:	16-28VDC via zener barrier
Current:	25mA
Sound Output:	100dB @ 1m
Sound Frequency:	49 tones refer page 13-28
Light Output:	23cd(e)
Flash Rate:	1Hz or 2Hz selectable
Protection:	IP65
Temp Rating (°C):	-40 to +60
Duty:	Continuous
Cable Entry:	2 x 20mm knock outs
Construction:	Flame retardant ABS
Weight:	0.4Kg
Approval:	EEx ia IIC T4
Certificate No:	ANZEx (07. 4044X), IECEX (SIR 06. 0045X)

Unit may be powered by any certified zener barrier with output parameters not exceeding-Uo: 28VDC Io: 93mA Po: 0.66W



IS-pB1

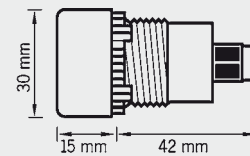


- Panel mount LED indicator
- Ga Exia IIC T4 Intrinsically Safe, zone 1, 2 (IECEx)
- Bright uniform light output
- IP66

Specifications:

Voltage:	14-30VDC via zener barrier
Current:	22mA
Light Output:	190 lux (red @ 150mm)
Protection:	IP66 (from front)
Temp Rating (°C):	-20 to +60
Duty:	Continuous
Mounting:	22.5mm panel mount
Cable Entry:	Screw clamp 1.5mm ²
Construction:	Nylon 6
Weight:	0.15Kg
Approval:	EEx ia IIC T4
Certificate No:	IECEx (ITS 08. 0030X)

Two units may be powered by any certified zener barrier with output parameters not exceeding-
Uo: 30VDC Po: 1.2W



IS-pA1



- Panel mount sounder 100dB
- Ga Exia IIB T6 Intrinsically Safe, zone 1, 2 (IECEx)
- Single high frequency tone
- IP66

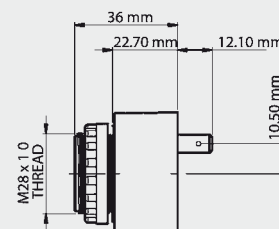
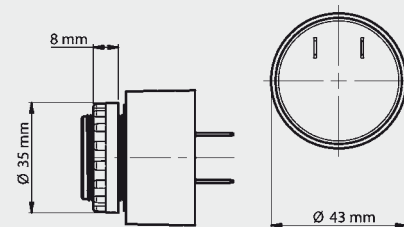
Order Code	Description
ESS0750*	IS-pB1 indicator
ESS0752	IS-pA1 sounder
MTL7728	MTL7728+ I/S barrier 28V

*Specify colour A = Amber, B = Blue, G = Green, R = Red, W = White

Specifications:

Voltage:	16-28VDC via zener barrier
Current:	12mA
Sound Output:	100dB @ 1m
Sound Frequency:	2900Hz continuous
Protection:	IP66 (from front)
Temp Rating (°C):	-20 to +60
Duty:	Continuous
Mounting:	28.5mm panel mount
Cable Entry:	Spade terminals
Construction:	ABS
Weight:	0.16Kg
Approval:	EEx ia IIB T6
Certificate No:	IECEx (SIR 10. 0073X)

Unit may be powered by any certified zener barrier with output parameters not exceeding-
Uo: 40VDC Io: 660mA Po: 1.3W (T4), Po: 0.3W (T6)



IS-CP4A/B



- Break glass or push button manual call point
- EExia IIC T4 or T6 Intrinsically Safe, zone 0, 1, 2, 21 and 22 (IECEx)
- Alternative housing colours
- Optional stainless steel lift flap
- Optional duty label
- Optional series and EOL resistors (CP4B only)
- IP66

Order Code	Description
ESS05111R****	CP4A BG break glass, Red housing no flap, no duty label
ESS05111Y****	CP4A BG break glass, Yellow housing no flap, no duty label
ESS05113R****	CP4B BG break glass, Red housing no flap, no duty label
ESS05113Y****	CP4B BG break glass, Yellow housing no flap, no duty label
ESS05121R****	CP4A PB push button, Red housing no flap, no duty label
ESS05121Y****	CP4A PB push button, Yellow housing no flap, no duty label
ESS05125R****	CP4B PB push button, Red housing no flap, no duty label
ESS05125Y****	CP4B PB push button, Yellow housing no flap, no duty label
ESS05124R****	CP4A PT push button, tool reset Red housing no flap, no duty label
ESS05124Y****	CP4A PT push button, tool reset Yellow housing no flap, no duty label
ESS05126R****	CP4B PT push button, tool reset Red housing no flap, no duty label
ESS05126Y****	CP4B PT push button, tool reset Yellow housing no flap, no duty label

*Add F for flap option

*Add D for duty label option

*Add E for end of line resistor (with resistor value)

*Add S for series resistor (with resistor value)

Specifications:

Input Parameters:

U_i = 30V
I_i = 500mA
P_i = 1.1W
C_i = 0
L_i = 0

Terminals:

IS-CP4A - 6 x 4mm²
IS-CP4B - 6 x 4mm² or
8 x 2.5mm² DIN rail

Protection:

IP66

Temp rating (°C):

-40 to +55° C

Cable entry:

2 x M20 clearance holes
top or bottom and 1 x M20
on side

Construction:

LM6 aluminium

Weight:

0.8kg

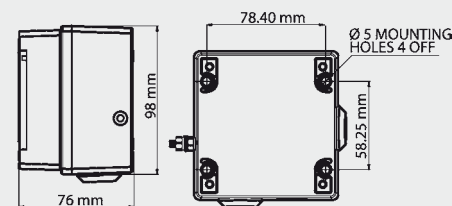
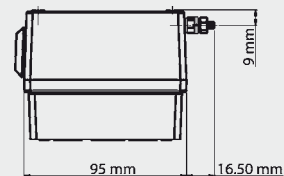
Approval:

IS-CP4A - II 2G Exia IIC T6
II 2D Ex t IIIC T60° C
IS-CP4B - II 2G Exia IIC T6
II 2D Ex t IIIC T70° C

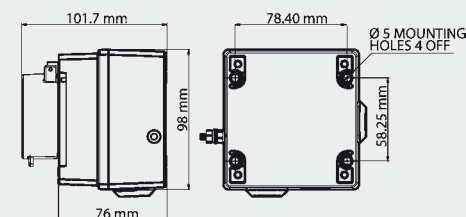
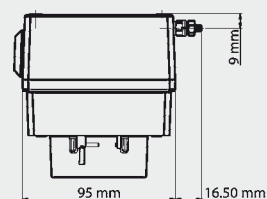
Certificate:

IECEx (SIR 09.0122X)

IS-CP4A/B-BG



IS-CP4A/B-PB/PT



Accessories and Spare Parts

Order Code	Description
ESS05909	Replacement Glass CP3/CP4

Banshee Ex 26S



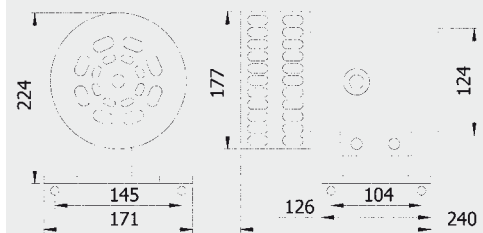
- Range up to 1500m*
- Single phase motor driven siren
- Ex d IIC zone 1, 2, 21 and 22(IECEx)
- Stainless steel construction
- Sound output 124dB @ 1m
- IP65

Order Code	Voltage	Running Current	Starting Current
KAMXS31110	110VAC 50Hz 1ph ±5%	2.6A	16A
KAMXS31230	230VAC 50Hz 1ph ±5%	1.4A	9A

*Range based on sound level of 60dB at quoted distance, in still air at 20°C, with the siren mounted at 5m above ground level and without obstructions.

Specifications:

Sound output: 124dB @ 1m
Sound frequency: 1600Hz
Protection: IP65
Temperature range: -20 to +45°C
Duty: 1 hour continuous (thermal cutout protection)
Cable entry: 2 x M20 x 1.5mm (one stopping plug included)
Construction: 316 stainless steel (optional 304)
Weight: 13Kg
Approval: Ex d I/IIC T6 Mb Gb (max ambient temperature +45°C)
 Ex tb IIIC T85°C IP65 Db
Certificate: IECEx ICS 15.0027X



Dimensions in mm

Model 3LF-EXD



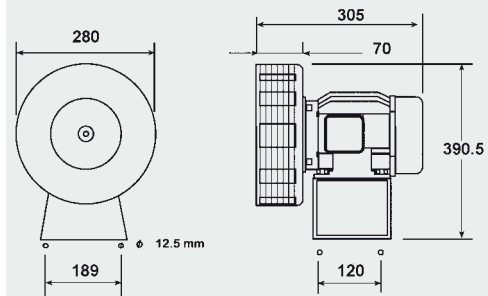
- Range up to 3000m*
- Single phase or 3ph motor driven siren
- Ex d IIC zone 1 and 2 (IECEx)
- Robust cast aluminium siren head
- Sound output 125dB @ 1m
- Weatherproof

Order Code	Voltage	Running Current	Starting Current
KAM3LF230EXD	230VAC 50Hz 1ph ±5%	7.6A	35A
KAM3LF415EXD	415VAC 50Hz 3ph ±5%	2.3A	17A

*Range based on sound level of 60dB at quoted distance, in still air at 20°C, with the siren mounted at 5m above ground level and without obstructions.

Specifications:

Sound output: 125dB @ 1m
Sound frequency: 560Hz
Motor power: 1.1kw
Protection: IP55
Duty: Continuous
Cable entry: 1 x M25x1.5
Construction: Cast aluminium siren head, cast iron motor, steel base
Weight: 37Kg
Approval: Ex d IIC T4 Gb (max ambient temperature +45°C)
 Others available on request.
Certificate: IECEx CES 11.0014X



Dimensions in mm

Model MS22EXD



- Range up to 5000m*
- Motor driven siren available with single or three phase motor
- Ex d IIC zone 1 and 2 (IECEX) (zone 21 and 22 available on request)
- Sound output 130dB @ 1m
- Low penetrating tone
- Weatherproof

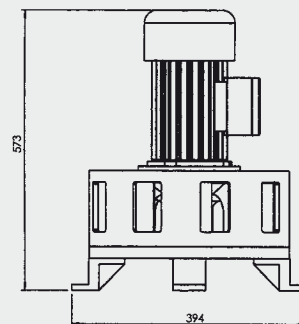
Order Code	Voltage	Running Current	Starting Current
MS022240	240Vac 50Hz 1ph ±5%	13.1A	39A
MS022415	415Vac 3ph 50Hz ±5%	4.3A	29A

*Range based on sound level of 60dB at quoted distance, in still air at 20°C, with the siren mounted at 5m above ground level and without obstructions

Specifications:

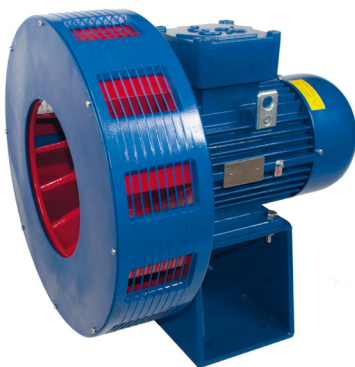
Sound output: 130dB @ 1m
 Sound frequency: 475Hz
 Motor power: 2.2kw
 Protection: IP55
 Rating: Continuous
 Cable entry: 1 x M25x1.5
 Construction: Cast aluminium siren head, cast iron motor
 Weight: 60kg
 Approval: Ex d IIC T4 Gb (max ambient temperature +45°C)
 Others available on request.
 IECEx CES 11.0014X

Certificate:



Dimensions in mm

Model 10S EXD



- Range up to 10000m*
- 3ph motor driven siren
- Ex d IIC zone 1 and 2 (IECEX) (zone 21 and 22 available on request)
- Robust cast aluminium siren head
- Sound output 140dB @ 1m
- Weatherproof

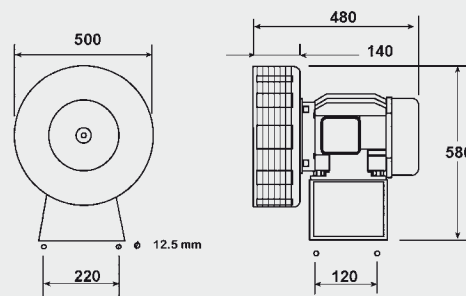
Order Code	Voltage	Running Current	Starting Current
KAM10S415EXD	415VAC 50Hz 3ph ±5%	7.2A	49A

*Range based on sound level of 60dB at quoted distance, in still air at 20°C, with the siren mounted at 5m above ground level and without obstructions.

Specifications:

Sound output: 140dB @ 1m
 Sound frequency: 560Hz
 Motor power: 4kw
 Protection: IP55
 Rating: Continuous
 Cable entry: 1 x M32 x 1.5
 Construction: Cast aluminium siren head, cast iron motor, steel base 100Kg
 Weight: 100Kg
 Approval: Ex d IIC T4 Gb (max ambient temperature +45°C)
 Others available on request.
 IECEx CES 11.0014X

Certificate:



Dimensions in mm

BExS110 - BExS120 - BExCS110-05 Tones

Stage 1	Description	Sound Output db@1m	Stage 2	Stage 3
Tone 1	1000 Hz Continuous	110/117dB	Tone 31	Tone 11
Tone 2	800/1000Hz @ 0.25 sec Alternating	110/117dB	Tone 17	Tone 5
Tone 3	500/1200Hz @ 0.3Hz 0.5 sec Slow Whoop	110/118dB	Tone 2	Tone 5
Tone 4	800/1000Hz @ 1Hz Sweeping	110/117dB	Tone 6	Tone 5
Tone 5	2400Hz Continuous	109/114dB	Tone 3	Tone 27
Tone 6	2400/2900Hz @ 7Hz Sweeping	109/114dB	Tone 7	Tone 5
Tone 7	2400/2900Hz @ 1Hz Sweeping	110/111dB	Tone 10	Tone 5
Tone 8	500/1200/500Hz @ 0.3Hz Sweeping	110/118dB	Tone 2	Tone 5
Tone 9	1200/500Hz @ 1Hz - DIN / PFEER P.T.A.P.	110/118dB	Tone 15	Tone 2
Tone 10	2400/2900Hz @ 2Hz Alternating	109/113dB	Tone 7	Tone 5
Tone 11	1000Hz @ 1Hz Intermittent	110/118dB	Tone 31	Tone 1
Tone 12	800/1000Hz @ 0.875Hz Alternating	110/118dB	Tone 4	Tone 5
Tone 13	2400Hz @ 1Hz Intermittent	109/115dB	Tone 15	Tone 5
Tone 14	800Hz 0.25 sec on, 1 sec off Intermittent	103/108dB	Tone 4	Tone 5
Tone 15	800Hz Continuous	103/108dB	Tone 2	Tone 5
Tone 16	AS2220: 420Hz repeating 0.625 sec on 0.625 sec off	104//109dB	Tone 18	Tone 5
Tone 17	544Hz (100mS)/440Hz (400mS) - NF S 32-001	107/110dB	Tone 2	Tone 27
Tone 18	AS2220: 500-1200Hz Sweeping 3.75 sec on 0.25 sec off (15 cycles/min)	110/118dB	Tone 16	Tone 5
Tone 19	1.4KHz-1.6KHz 1s, 1.6KHz-1.4KHz 0.5s -NFC48-265	117/121dB	Tone 2	Tone 5
Tone 20	660Hz Continuous	104/108dB	Tone 2	Tone 5
Tone 21	554Hz/440Hz @ 1Hz Alternating	107/109dB	Tone 2	Tone 5
Tone 22	544Hz @ 0.875 sec. Intermittent	107/109dB	Tone 2	Tone 5
Tone 23	800Hz @ 2Hz Intermittent	103/108dB	Tone 6	Tone 5
Tone 24	800/1000Hz @ 50Hz Sweeping	107/114dB	Tone 29	Tone 5
Tone 25	2400/2900Hz @ 50Hz Sweeping	109/114dB	Tone 29	Tone 5
Tone 26	1000Hz @ 1Hz Intermittent	110/118dB	Tone 5	Tone 2
Tone 27	554Hz Continuous	107/109dB	Tone 26	Tone 5
Tone 28	440Hz Continuous	104/109dB	Tone 2	Tone 5
Tone 29	800/1000Hz @ 7Hz Sweeping	106/113dB	Tone 7	Tone 5
Tone 30	AS1670: 1500-500Hz 0.5 sec on 0.5 sec off x 3 with 1.5 sec gap	110/118dB	Tone 32	Tone 5
Tone 31	1200/500Hz @ 1Hz - DIN / PFEER P.T.A.P.	110/118dB	Tone 11	Tone 1
Tone 32	AS1670: 500-1200Hz Sweeping 2 sec on 1 sec off	110/118dB	Tone 26	Tone 1

GNEsS1/S2Tones

Stage 1	Description	Sound Output db@1m	Stage 2	Stage 3
Tone 1	340 Hz Continuous	107/113dB	Tone 2	Tone 5
Tone 2	800/1000Hz @ 0.25 sec Alternating	112/121dB	Tone 17	Tone 5
Tone 3	500/1200Hz @ 0.3Hz 0.5 sec Slow Whoop	113/121dB	Tone 2	Tone 5
Tone 4	800/1000Hz @ 1Hz Sweeping	113/121dB	Tone 6	Tone 5
Tone 5	2400Hz Continuous	119/125dB	Tone 3	Tone 20
Tone 6	2400/2900Hz @ 7Hz Sweeping	116/123dB	Tone 7	Tone 5
Tone 7	2400/2900Hz @ 1Hz Sweeping	116/125dB	Tone 10	Tone 5
Tone 8	500/1200/500Hz @ 0.3Hz Sweeping	113/121dB	Tone 2	Tone 5
Tone 9	1200/500Hz @ 1Hz - DIN / PFEER P.T.A.P.	113/121dB	Tone 15	Tone 2
Tone 10	2400/2900Hz @ 2Hz Alternating	119/126dB	Tone 7	Tone 5
Tone 11	1000Hz @ 1Hz Intermittent	112/121dB	Tone 2	Tone 5
Tone 12	800/1000Hz @ 0.875Hz Alternating	112/121dB	Tone 4	Tone 5
Tone 13	2400Hz @ 1Hz Intermittent	119/125dB	Tone 15	Tone 5
Tone 14	800Hz 0.25sec on, 1 sec off Intermittent	113/120dB	Tone 4	Tone 5
Tone 15	800Hz Continuous	113/120dB	Tone 2	Tone 5
Tone 16	AS1670: 500-1200Hz Sweeping 2 sec on 1 sec off	113/121dB	Tone 18	Tone 5
Tone 17	544Hz (100mS)/440Hz (400mS) - NF S 32-001	109/118dB	Tone 2	Tone 27
Tone 18	AS1670: 1500-500Hz 0.5 sec on 0.5 sec off x 3 with 1.5 sec gap	113/121dB	Tone 16	Tone 5



GNExS1/S2Tones continued

Stage 1	Description	Sound Output db@1m	Stage 2	Stage 3
Tone 19	1.4KHz-1.6KHz 1s, 1.6KHz-1.4KHz 0.5s - NFC48-265	114/126dB	Tone 2	Tone 5
Tone 20	660Hz Continuous	109/118dB	Tone 2	Tone 5
Tone 21	554Hz/440Hz @ 1Hz Alternating	109/118dB	Tone 2	Tone 5
Tone 22	544Hz @ 0.875 sec. Intermittent	109/118dB	Tone 2	Tone 5
Tone 23	800Hz @ 2Hz Intermittent	113/120dB	Tone 6	Tone 5
Tone 24	800/1000Hz @ 50Hz Sweeping	112/120dB	Tone 29	Tone 5
Tone 25	2400/2900Hz @ 50Hz Sweeping	116/124dB	Tone 29	Tone 5
Tone 26	Bell	108/118dB	Tone 2	Tone 15
Tone 27	554Hz Continuous	109/117dB	Tone 26	Tone 5
Tone 28	440Hz Continuous	106/117dB	Tone 2	Tone 5
Tone 29	800/1000Hz @ 7Hz Sweeping	112/121dB	Tone 7	Tone 5
Tone 30	300Hz Continuous	107/114dB	Tone 2	Tone 5
Tone 31	660/1200Hz @ 1Hz Sweeping	112/121dB	Tone 26	Tone 5
Tone 32	Two tone chime	108/118dB	Tone 26	Tone 15
Tone 33	745Hz @ 1Hz Intermittent	109/116dB	Tone 2	Tone 5
Tone 34	1000 & 2000Hz @ 0.5 sec Alternating - Singapore	109/121dB	Tone 38	Tone 45
Tone 35	AS2220: 420Hz @ 0.625 sec Australian Alert	106/117dB	Tone 36	Tone 5
Tone 36	AS2220: 500-1200Hz 3.75 sec /0.25 sec. Australian Evac.	113/121dB	Tone 35	Tone 5
Tone 37	1000Hz Continuous - PFEER Toxic Gas	113/121dB	Tone 9	Tone 45
Tone 38	2000Hz Continuous	112/120dB	Tone 34	Tone 45
Tone 39	800Hz 0.25 sec on, 1 sec off Intermittent	116/120dB	Tone 23	Tone 17
Tone 40	544Hz (100mS)/440Hz (400mS) - NF S 32-001	113/121dB	Tone 31	Tone 27
Tone 41	Motor Siren - slow rise to 1200 Hz	112/122dB	Tone 2	Tone 5
Tone 42	Motor Siren - slow rise to 800 Hz	114/121dB	Tone 2	Tone 5
Tone 43	1200 Hz Continuous	113/122dB	Tone 2	Tone 5
Tone 44	Motor Siren - slow rise to 2400 Hz	118/124dB	Tone 2	Tone 5
Tone 45	1KHz 1s on, 1s off Intermittent - PFEER Gen. Alarm	112/121dB	Tone 38	Tone 34

IS-A105N - IS-MA1 and IS-MC1Tones

Stage 1	Description	Stage 2	Stage 3
Tone 1	340 Hz Continuous	Tone 2	Tone 5
Tone 2	800/1000Hz @ 0.25 sec Alternating	Tone 17	Tone 5
Tone 3	500/1200Hz @ 0.3Hz 0.5 sec Slow Whoop	Tone 2	Tone 5
Tone 4	800/1000Hz @ 1Hz Sweeping	Tone 6	Tone 5
Tone 5	2400Hz Continuous	Tone 3	Tone 20
Tone 6	2400/2900Hz @ 7Hz Sweeping	Tone 7	Tone 5
Tone 7	2400/2900Hz @ 1Hz Sweeping	Tone 10	Tone 5
Tone 8	500/1200/500Hz @ 0.3Hz Sweeping	Tone 2	Tone 5
Tone 9	1200/500Hz @ 1Hz - DIN / PFEER P.T.A.P.	Tone 15	Tone 2
Tone 10	2400/2900Hz @ 2Hz Alternating	Tone 7	Tone 5
Tone 11	1000Hz @ 1Hz Intermittent	Tone 2	Tone 5
Tone 12	800/1000Hz @ 0.875Hz Alternating	Tone 4	Tone 5
Tone 13	2400Hz @ 1Hz Intermittent	Tone 15	Tone 5
Tone 14	800Hz 0.25sec on, 1 sec off Intermittent	Tone 4	Tone 5
Tone 15	800Hz Continuous	Tone 2	Tone 5
Tone 16	AS1670: 500-1200Hz Sweeping 2 sec on 1 sec off	Tone 18	Tone 5
Tone 17	544Hz (100mS)/440Hz (400mS) - NF S 32-001	Tone 2	Tone 27
Tone 18	AS1670: 1500-500Hz 0.5 sec on 0.5 sec off x 3 with 1.5 sec gap	Tone 16	Tone 5
Tone 19	1.4KHz-1.6KHz 1s, 1.6KHz-1.4KHz 0.5s - NFC48-265	Tone 2	Tone 5
Tone 20	660Hz Continuous	Tone 2	Tone 5
Tone 21	554Hz/440Hz @ 1Hz Alternating	Tone 2	Tone 5
Tone 22	544Hz @ 0.875 sec. Intermittent	Tone 2	Tone 5
Tone 23	800Hz @ 2Hz Intermittent	Tone 6	Tone 5
Tone 24	800/1000Hz @ 50Hz Sweeping	Tone 29	Tone 5

IS-A105N - IS-MA1 and IS-MC1Tones continued

Stage 1	Description	Stage 2	Stage 3
Tone 25	2400/2900Hz @ 50Hz Sweeping	Tone 29	Tone 5
Tone 26	Bell	Tone 2	Tone 15
Tone 27	554Hz Continuous	Tone 26	Tone 5
Tone 28	440Hz Continuous	Tone 2	Tone 5
Tone 29	800/1000Hz @ 7Hz Sweeping	Tone 7	Tone 5
Tone 30	300Hz Continuous	Tone 2	Tone 5
Tone 31	660/1200Hz @ 1Hz Sweeping	Tone 26	Tone 5
Tone 32	Two tone chime	Tone 26	Tone 15
Tone 33	745Hz @ 1Hz Intermittent	Tone 2	Tone 5
Tone 34	1000 & 2000Hz @ 0.5 sec Alternating - Singapore	Tone 38	Tone 45
Tone 35	420Hz @ 0.625 sec Australian Alert	Tone 36	Tone 5
Tone 36	500-1200Hz 3.75 sec /0.25 sec. Australian Evac.	Tone 35	Tone 5
Tone 37	1000Hz Continuous - PFEER Toxic Gas	Tone 9	Tone 45
Tone 38	2000Hz Continuous	Tone 34	Tone 45
Tone 39	800Hz 0.25sec on, 1 sec off Intermittent	Tone 23	Tone 17
Tone 40	544Hz (100mS)/440Hz (400mS) - NF S 32-001	Tone 31	Tone 27
Tone 41	Motor Siren - slow rise to 1200 Hz	Tone 2	Tone 5
Tone 42	Motor Siren - slow rise to 800 Hz	Tone 2	Tone 5
Tone 43	1200 Hz Continuous	Tone 2	Tone 5
Tone 44	Motor Siren - slow rise to 2400 Hz	Tone 2	Tone 5
Tone 45	1KHz 1s on, 1s off Intermittent - PFEER Gen. Alarm	Tone 38	Tone 34
Tone 46	1200/500Hz @ 1Hz - DIN / PFEER P.T.A.P.	Tone 47	Tone 37
Tone 47	1KHz 1s on, 1s off Intermittent - PFEER Gen. Alarm	Tone 46	Tone 37
Tone 48	AS2220: 420Hz @ 0.625 sec Australian Alert	Tone 49	Tone 5
Tone 49	AS2220: 500-1200Hz 3.75 sec /0.25 sec. Australian Evac.	Tone 26	Tone 37

STExS1/S2 - STExC1X05 Tones

Stage 1	Description	Stage 2	Stage 3	Stage 4
Tone 1	1000Hz Continuous - PFEER Toxic Gas	Stage 3	Tone 2	Tone 44
Tone 2	1200/500Hz @ 1Hz - DIN / PFEER P.T.A.P.	Tone 1	Tone 3	Tone 44
Tone 3	1000Hz @ 0.5Hz Intermittent	Tone 1	Tone 2	Tone 44
Tone 4	1.4KHz-1.6KHz 1s, 1.6KHz-1.4KHz 0.5s -NFC48-265	Tone 44	Tone 24	Tone 1
Tone 5	544Hz (100mS)/440Hz (400mS) - NF S 32-001	Tone 52	Tone 19	Tone 1
Tone 6	1500-500Hz 0.5 sec on 0.5 sec off x 3 with 1.5 sec gap AS4428	Tone 7	Tone 44	Tone 1
Tone 7	500-1500Hz Sweeping 2 sec on 1 sec off AS4428	Tone 6	Tone 44	Tone 1
Tone 8	500/1200Hz @ 0.26Hz(3.3s on, 0.5s off) - NEN 2575	Tone 44	Tone 24	Tone 35
Tone 9	1000 (1s on, 1s off) x7 + (7s on, 1s off) - IMO Code 1a	Tone 18	Tone 34	Tone 1
Tone 10	1000 (1s on, 1s off) x7 + (7s on, 1s off) - IMO Code 1a	Tone 21	Tone 34	Tone 1
Tone 11	420 (0.5s on, 0.5s off) x3 + 1s gap - ISO 8201 Temporal	Tone 44	Tone 1	Tone 8
Tone 12	1000 (0.5s on, 0.5s off) x3 + 1s gap - ISO 8201 Temporal	Tone 44	Tone 1	Tone 8
Tone 13	422/775 - (0.85 on, 0.5 off) x3 + 1s gap - NFPA Temporal	Tone 44	Tone 1	Tone 8
Tone 14	1000/2000 @ 1Hz - Singapore	Tone 23	Tone 3	Tone 35
Tone 15	300Hz Continuous	Tone 44	Tone 24	Tone 35
Tone 16	440Hz Continuous	Tone 44	Tone 24	Tone 35
Tone 17	470 Continuous	Tone 44	Tone 24	Tone 35
Tone 18	500 Continuous - IMO code 2 (Low)	Tone 44	Tone 24	Tone 35
Tone 19	554Hz Continuous	Tone 64	Tone 24	Tone 35
Tone 20	660Hz Continuous	Tone 44	Tone 24	Tone 35
Tone 21	800 Continuous - IMO code 2 (High)	Tone 44	Tone 24	Tone 35
Tone 22	1200Hz Continuous	Tone 44	Tone 24	Tone 35
Tone 23	2000Hz Continuous	Tone 15	Tone 3	Tone 35
Tone 24	2400Hz Continuous	Tone 48	Tone 20	Tone 35
Tone 25	440 @ 0.83Hz (0.60s on, 0.60s off) Intermittent	Tone 1	Tone 44	Tone 8
Tone 26	470 @ 0.9Hz (0.55s on, 0.55s off) Intermittent	Tone 1	Tone 44	Tone 8
Tone 27	470 @ 5Hz (0.10s on, 0.10s off) Intermittent	Tone 1	Tone 44	Tone 8
Tone 28	544 @ 1.14Hz (0.43s on, 0.44s off) Intermittent	Tone 44	Tone 24	Tone 8
Tone 29	655 @ 0.875Hz (0.57s on, 0.57s off) Intermittent	Tone 1	Tone 44	Tone 8
Tone 30	660 @ 0.28Hz (1.80s on, 1.80s off) Intermittent	Tone 44	Tone 24	Tone 8
Tone 31	660 @ 3.3Hz (0.15s on, 0.15s off) Intermittent	Tone 30	Tone 24	Tone 8
Tone 32	745Hz @ 1Hz Intermittent	Tone 44	Tone 24	Tone 8
Tone 33	800Hz 0.25sec on, 1 sec off Intermittent	Tone 53	Tone 24	Tone 8
Tone 34	800 @ 2Hz (0.25s on, 0.25s off) - IMO code 3.a (High)	Tone 56	Tone 24	Tone 8
Tone 35	1000 @ 1Hz (0.50s on, 0.50s off) Intermittent	Tone 44	Tone 24	Tone 8
Tone 36	2400Hz @ 1Hz Intermittent	Tone 21	Tone 24	Tone 8
Tone 37	2900 @ 5Hz (0.10s on, 0.10s off) Intermittent	Tone 53	Tone 24	Tone 8
Tone 38	363/518 @ 1Hz (0.50s / 0.50s) Alternating	Tone 1	Tone 8	Tone 19
Tone 39	450/500 @ 2Hz (0.25s / 0.25s) Alternating	Tone 1	Tone 8	Tone 19
Tone 40	554Hz/440Hz @ 1Hz Alternating	Tone 44	Tone 24	Tone 19
Tone 41	554/440 @ 0.65Hz (0.76s / 0.76s) Alternating	Tone 1	Tone 8	Tone 19
Tone 42	561/760 @ 0.83Hz (0.60s / 0.60s) Alternating	Tone 1	Tone 8	Tone 19
Tone 43	780/600 @ 0.96Hz (0.52s / 0.52s) Alternating	Tone 1	Tone 8	Tone 19
Tone 44	800/1000Hz @ 2Hz (0.25s / 0.25s) Alternating	Tone 5	Tone 24	Tone 19
Tone 45	970/800 @ 2Hz (0.25s / 0.25s) Alternating	Tone 1	Tone 8	Tone 19
Tone 46	800/1000 @ 0.875Hz (0.57s / 0.57s) Alternating	Tone 53	Tone 24	Tone 19
Tone 47	2400/2900Hz @ 2Hz Alternating	Tone 57	Tone 24	Tone 19
Tone 48	500/1200 @ 0.3Hz Sweeping	Tone 44	Tone 24	Tone 12
Tone 49	560/1055 @ 0.18Hz (2.73s / 2.73s) Sweeping	Tone 44	Tone 24	Tone 12
Tone 50	560/1055 @ 3.3Hz (0.15s / 0.15s) Sweeping	Tone 44	Tone 24	Tone 12
Tone 51	600/1250 @ 0.125Hz (4s / 4s) Sweeping	Tone 44	Tone 24	Tone 12
Tone 52	660/1200 @ 1Hz (0.50s / 0.50s) Sweeping	Tone 64	Tone 24	Tone 12
Tone 53	800/1000Hz @ 1Hz Sweeping	Tone 56	Tone 24	Tone 12
Tone 54	800/1000Hz @ 7Hz Sweeping	Tone 57	Tone 24	Tone 12
Tone 55	800/1000Hz @ 50Hz Sweeping	Tone 54	Tone 24	Tone 12
Tone 56	2400/2900Hz @ 7Hz Sweeping	Tone 57	Tone 24	Tone 12
Tone 57	2400/2900Hz @ 1Hz Sweeping	Tone 47	Tone 24	Tone 12
Tone 58	2400/2900Hz @ 50Hz Sweeping	Tone 54	Tone 24	Tone 12
Tone 59	2500/3000 @ 2Hz (0.25s / 0.25s) Sweeping	Tone 44	Tone 24	Tone 12
Tone 60	2500/3000 @ 7.7Hz (0.65s / 0.65s) Sweeping	Tone 44	Tone 24	Tone 12
Tone 61	Motor Siren - slow rise to 800 Hz	Tone 44	Tone 24	Tone 12
Tone 62	Motor Siren - slow rise to 1200 Hz	Tone 44	Tone 24	Tone 12
Tone 63	Motor Siren - slow rise to 2400 Hz	Tone 44	Tone 24	Tone 12
Tone 64	Simulated Bell	Tone 44	Tone 21	Tone 12