

- GA series switch disconnectors to 160A p3-1
- GAZ enclosed switch disconnectors to 160A p3-8
- GE series three pole switch disconnectors to 1600A p3-11
- GE series four pole switch disconnectors to 1600A p3-12
- GE series change-over switches p3-13
- GA/D series switch disconnecter for photovoltaic applications p3-19
- GE series switch disconnecter for photovoltaic applications p3-20
- GX series rotary cam switches p3-21

# 3



### Three-pole switch disconnectors



GA016 A...  
GA040 A  
GA063 SA



GA063 A...  
GA125 A

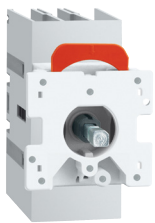
Order code	IEC conventional free air thermal current Ith AC21A (≤690V)	IEC rated operational current Ie AC22A (≤690V) AC23A (≤415V)	Qty per pack	Wt [kg]
	[A]	[A]	n°	[kg]

Direct operating version, complete with black handle.  
For door-coupling version, separately purchase the handle and shaft extension; refer to pages 3-5 and 3-7.

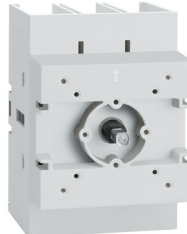
GA016 A	16	16	1	0.146
GA025 A	25	25	1	0.146
GA032 A	32	32	1	0.146
GA040 A	40	40	1	0.146
GA063 SA	63	45	1	0.148
GA063 A	63	63	1	0.388
GA080 A	80	80	1	0.388
GA100 A	100	100	1	0.388
GA125 A	125	125	1	0.388
GA160 A	160	125	1	0.388

Door-mount version, complete with shaft extension (purchase handle separately, see page 3-5).

GA016 C	16	16	1	0.170
GA025 C	25	25	1	0.170
GA032 C	32	32	1	0.170
GA040 C	40	40	1	0.170
GA063 C	63	63	1	0.404
GA080 C	80	80	1	0.404
GA100 C	100	100	1	0.404
GA125 C	125	125	1	0.404



GA016 C...  
GA040 C



GA063 C...  
GA125 C

### Fourth pole add on



GAX42...A  
GAX41...A  
GAX42 063SA  
GAX41 063SA

Order code	IEC conventional free air thermal current Ith AC21A (≤690V)	IEC rated operational current Ie AC22A (≤690V) AC23A (≤415V)	Qty per pack	Wt [kg]
	[A]	[A]	n°	[kg]

Simultaneous closing operation as switch disconnector poles. For GA...A version.

GAX42 040A <sup>①</sup>	40	40	1	0.045
GAX42 063SA <sup>②</sup>	63	45	1	0.045
GAX42 063A	63	63	1	0.126
GAX42 080A	80	80	1	0.126
GAX42 100A	100	100	1	0.126
GAX42 125A	125	125	1	0.126
GAX42 160A	160	125	1	0.126

For GA...C version.

GAX42 040C <sup>③</sup>	40	40	1	0.045
GAX42 063C	63	63	1	0.128
GAX42 080C	80	80	1	0.128
GAX42 100C	100	100	1	0.128
GAX42 125C	125	125	1	0.128

Early-make closing operation with respect to switch disconnector poles. For GA...A version.

GAX41 040A <sup>④</sup>	40	40	1	0.046
GAX41 063SA <sup>⑤</sup>	63	45	1	0.046
GAX41 125A <sup>⑥</sup>	125	125	1	0.116

For GA...C version.

GAX41 040C <sup>③</sup>	40	40	1	0.046
GAX41 125C <sup>③</sup>	125	125	1	0.128

- ① For GA016 A...GA040 A only.
- ② For GA063 SA only.
- ③ For GA016 C...GA040 C only.
- ④ For GA063 A...GA125 A only.
- ⑤ For GA063 C...GA125 C only.



GAX42 040C  
GAX41 040C

### General characteristics

- 16A to 160A
- Available versions:
  - Direct operating
  - Door mount
  - Door coupling. Use switch disconnector with direct operating handle and separately purchase the handle and shaft extension for this version. See pages 3-5 to 3-7.
- Compact and modular size
- Screw or 35mm DIN rail fixing
- IPadlockable in 0 position with no extra accessory.

### Operational characteristics

- Rated insulation voltage Ui: 1000V
- Rated impulse withstand Uimp: 8kV
- Electrical life in AC21A:
  - 100,000 cycles GA016...GA040, GAX...40A/C
  - 15,000 cycles GA063 SA, GAX...063SA
  - 30,000 cycles GA063...GA125, GAX...063...125A/C
  - 1,500 cycles GA160A, GAX42 160A.
- Mechanical life:
  - 100,000 cycles GA016...GA040 A/C, GA063 SA, GAX...40A/C, GAX...063SA
  - 30,000 cycles GA063...GA160A, GAX...063...125A/C, GAX42 160A.

### Certifications and compliance

Certifications obtained:

Type	cULus according to UL508 / CSA C22.2 no. 14	cULus according to UL98 / CSA C22.2 no. 4	EAC	KEMA
GA016 A...GA040 A	●	—	●	●
GA063 SA	●	—	●	—
GA016 C...GA040 C	●	—	●	●
GA063 A...GA125 A	—	●	●	—
GA160 A-GAX42 160A	—	—	●	—
GA063 C...GA125 C	—	●	●	—
GAX41 040A-GAX42 040A	●	—	●	—
GAX41 063SA-GAX42 063SA	●	—	●	—
GAX41 040C-GAX42 040C	●	—	●	—
GAX41 125A-GAX42 125C	—	●	●	—
GAX42 063A...GAX42 125A	—	●	●	—
GAX42 063C...GAX42 125C	—	●	●	—

● Certification obtained.

Compliant with standards: IEC/EN 60947-3, IEC/EN 60947-1, UL508, UL98, CSA C22.2.

### Strokes of GA poles (main poles and add-on pole)

	Travel 0→1	0°	30°	60°	90°
GA016A/C...GA040A/C - GA063SA	Main poles			60°	
GAX42040A/C - GAX42063SA	Simultaneous closing fourth-pole add on			60°	
GAX41040A/C - GAX41063SA	Early-make fourth-pole add on			55°	
GA063A/C...GA125A/C, GA160A	Main poles			55°	
GAX42063A/C...GAX42125A/C, GAX42160A	Simultaneous closing fourth-pole add on			55°	
GAX41125A/C	Early-make fourth-pole add on			48°	
		OFF			ON

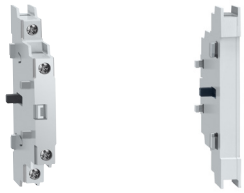
# SWITCH DISCONNECTORS & CAM SWITCHES

GA series 16A to 160A switch disconnectors

Accessories



## Add-on blocks

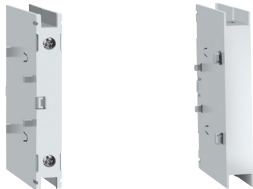


GAX10 11A

GAX10 11C



GAX11 10EA  
GAX12 10EA



GAX3...A

GAX3...C



GAX50...  
GAX60...

Order code	Characteristics	Qty per pkg	Wt
		n°	[kg]
Auxiliary contacts, simultaneous operation as switch poles.			
GAX10 11A	1NO+1NC for GA...A, GA063 SA and GA...D	1	0.030
GAX10 11C	1NO+1NC for GA...C	1	0.030
Auxiliary contacts, early-break operation with respect to switch poles.			
GAX11 10EA	1EB (NO) for GA016 A-GA040 A, GA063 SA and GA040 D	1	0.035
GAX12 10EA	1EB (NO) for GA063 A-GA125 A, GA080 D and GA125 D	1	0.035
Neutral terminal.			
GAX31 A	For GA016 A-GA040 A, GA063 SA and GA040D	1	0.040
GAX32 A	For GA063 A-GA125 A and GA080 D - GA125 D	1	0.110
GAX31 C	For GA016 C-GA040 C	1	0.040
GAX32 C	For GA063 C-GA125 C	1	0.110
Earth/Ground terminal.			
GAX33 A	For GA016 A-GA040 A, GA063 SA and GA...D	1	0.040
GAX34 A	For GA063 A-GA125 A and GA080 D - GA125 D	1	0.110
GAX33 C	For GA016 C-GA040 C	1	0.040
GAX34 C	For GA063 C-GA125 C	1	0.110
Mechanical interlock for line changeover (I-O-II).			
GAX50 00	For GA016 A-GA040 A, GA063 SA, GA...D and GAX67 B; □ 5mm/0.2" ①	1	0.050
GAX50 01	For GA063 A-GA125 A, GA080 D GA125 D and GAX67 B; □ 5mm/0.2" ①	1	0.075
Mechanical coupling system for 6-8 pole switch disconnectors.			
GAX60 00	For GA016 A-GA040 A, GA063 SA and GA...D; □ 5mm/0.2" ①	1	0.050
GAX60 01	For GA063 A-GA125 A, GA080 D, GA125 D; □ 7mm/0.3" ②	1	0.075

- ① Use GAX7... shaft extensions.
- ② Use GAX66.. handles and GAX7...A extensions for a door-coupling version.

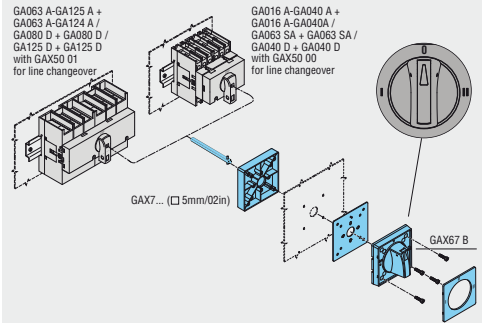
## Operational characteristics of auxiliary contacts

- IEC conventional free air thermal current Ith: 10A
- UL/CSA and IEC/EN 60947-5-1 designation: A600-Q600
- Tightening torque: 0.8Nm/7.1lbin.

## Operational characteristics for other devices

- Tightening torque:
  - GAX31A/C-GAX33A/C terminals: 1.8-2Nm/16-18lbin
  - GAX32A/C-GAX34A/C terminals: 5-6Nm/45-54lbin
  - GAX5000/5001-GAX6000/6001 fixing: 0.5Nm/4.4lbin; extension with handle: 0.8Nm/7.1lbin.

## Transformation of direct operating version into door coupling type



## Certifications and compliance

Certifications obtained:

Type	EAC	cULus per UL508 / CSA C22.2 n°14 UL Listed (File E93602)	cULus per UL98 / CSA C22.2 n°4 UL Listed (File E328470)
GAX10 11A - GAX10 11C	●	⊕	—
GAX11 10EA	●	⊕	—
GAX12 10EA	●	⊕	—
GAX31 A - GAX31 C	●	●	—
GAX32 A - GAX32 C	●	—	●
GAX33 A - GAX33 C	●	●	—
GAX34 A - GAX34 C	●	—	●
GAX50 00 - GAX60 00	●	●	—
GAX50 01 - GAX60 01	●	—	●

- Certification obtained.
- ⊕ UL Listed - cULus File E93601.

NOTE: GAX61/61B and GAX66/66B are UL/CSA Type 1, 4, 4X outdoor use with all GA switch types. GAX62/62B, GAX63/63B, GAX632/2B, GAX64/64B and GAX67B are UL/CSA Type 1, 4, 4X outdoor use with GA016A/C-GA040A/C and GA063SA types, otherwise Type 1 only.

Compliant with standards: IEC/EN 60947-1, IEC/EN 60947-3, IEC/EN 60947-5-1, UL508, UL98, CSA C22.2.

For dimensions and technical data visit [mechtronic.com.au](http://mechtronic.com.au)

## Strokes of GA poles (switch with auxiliary contact blocks)

	Travel 0→1	0°	30°	60°	90°
GA016A/C...GA040A/C - GA063SA Main poles				60°	
GAX10 11A - GAX10 11C Auxiliary contacts (1NO+1NC)				60°	
	NO				
	NC				
		40°			
GAX11 10EA Auxiliary contact (1EB - NO early break)	Travel 0→1	60°			
	Travel 1→0	70°			
GA063A/C...GA125A/C Main poles			55°		
GAX10 11A - GAX10 11C Auxiliary contacts (1NO+1NC)			45°		
	NO				
	NC				
		25°			
GAX12 10EA Auxiliary contact (1EB - NO early break)	Travel 0→1	55°			
	Travel 1→0	65°			
	OFF				ON

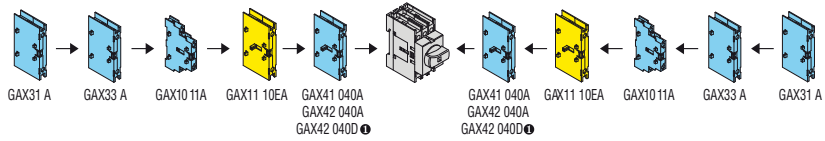
## Strokes of GA...D types (switch and add-on blocks)

	Travel 0→1	0°	30°	60°	90°
GA040 D Main poles				60°	
GA042 040D Simultaneous fourth-pole add on				60°	
GAX10 11A Auxiliary contacts (1NO+1NC)				60°	
	NO				
	NC				
		40°			
GAX11 10EA Auxiliary contact (1EB - NO early break)	Travel 0→1	60°			
	Travel 1→0	70°			
GA080 D - GA125 D Main poles			55°		
GAX42 080D - GAX42 125D Simultaneous fourth-pole add on			55°		
GAX10 11A - GAX10 11C Auxiliary contacts (1NO+1NC)			45°		
	NO				
	NC				
		25°			
GAX12 10EA Auxiliary contact (1EB - NO early break)	Travel 0→1	55°			
	Travel 1→0	65°			
	OFF				ON

#### Maximum combination

#### GA016 A...GA040 A GA040 D

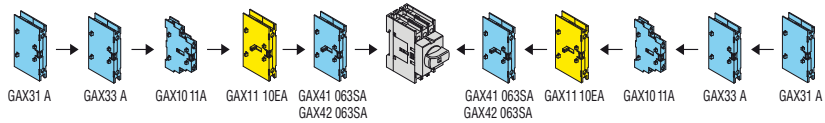
Sequence and maximum combination of add-on blocks on direct operating switch disconnectors



1	1	1	—	1	GA016 A GA025 A GA032 A GA040 A	—	—	2	1	1
1	1	2	—	—		1	—	1	1	1
1	1	1	—	1		—	1	1	1	1
1	1	1	1	—		1	—	1	1	1
1	1	1	1	—		—	—	2	1	1
1	1	2	—	—		—	—	1	1	1
1	1	2	—	—		GA040 D	—	2	1	1
1	1	—	—	—		—	1	—	1	1
1	1	—	—	1		—	—	—	1	1
1	1	—	—	—		—	—	—	1	1

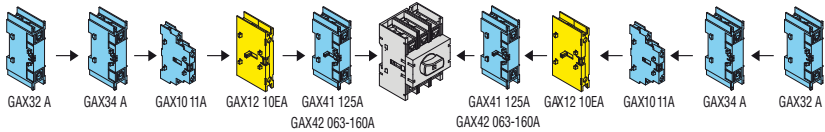
① GAX42 040D can be used with GA040 D switch only.

#### GA063 SA



1	1	1	—	1	GA063 SA	—	—	2	1	1
1	1	2	—	—		1	—	1	1	1
1	1	1	—	1		—	—	1	1	1
1	1	1	1	—		—	—	1	1	1
1	1	1	1	—		—	—	2	1	1
1	1	2	—	—		—	—	1	1	1
1	1	2	—	—		—	—	2	1	1
1	1	—	—	—		—	1	—	1	1
1	1	—	—	1		—	—	—	1	1
1	1	—	—	—		—	—	—	1	1

#### GA063 A...GA160A

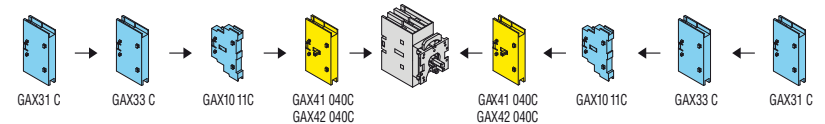


—	—	1	—	1	GA063 A GA080 A GA100 A GA125 A GA160 A*	—	—	2	—	—
—	—	2	—	—		1	—	1	—	—
—	—	1	—	1		—	—	1	—	—
—	—	1	1	—		—	1	—	—	—
—	—	1	1	—		—	—	2	—	—
—	—	2	—	—		—	—	1	—	—
—	—	2	—	—		—	—	2	—	—
1	1	—	—	—		—	1	—	—	—
1	1	—	—	1		—	—	—	1	1
1	1	—	—	—		—	—	—	1	1

\* GA160 A can be fitted with 1 single 4th pole (GAX42160 A) on one side and an auxiliary contact on the other.

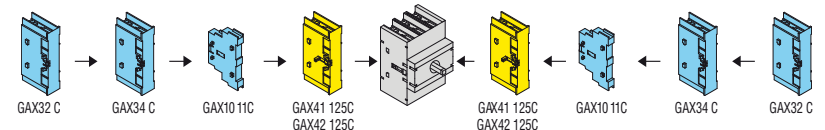
#### GA016 C...GA040 C

Sequence and maximum combination of add-on blocks on door mount switch disconnectors



1	1	1	—	1	GA016 C GA025 C GA032 C GA040 C	—	1	1	1	1
1	1	1	1	—		1	1	1	1	1
1	1	—	—	1		—	—	1	1	1
1	1	1	1	—		—	1	—	1	1
1	1	1	1	—		—	—	1	1	1
1	1	—	—	—		—	—	—	1	1

#### GA063 C...GA125 C



—	—	1	—	1	GA063 C GA080 C GA100 C GA125 C	—	1	—	—	—
—	—	1	—	—		1	1	—	—	—
1	1	—	—	1		—	—	1	—	—
—	—	1	—	—		—	1	—	1	1
—	—	1	—	—		—	—	1	—	—
1	1	—	—	—		—	—	—	1	1

# SWITCH DISCONNECTORS & CAM SWITCHES

GA series 16A to 160A switch disconnectors

Add-on blocks and accessories



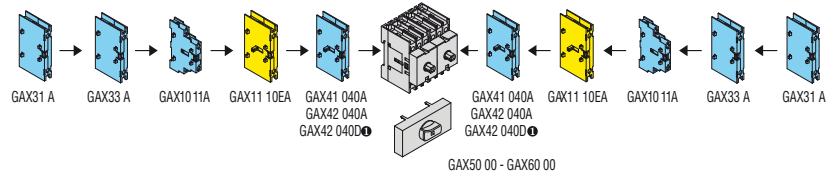
## GA016 A...GA040 A

### GA040 D

+ GAX50 00 -

GAX60 00

Sequence and maximum combination for mechanical coupling and mechanical interlock for line changeover



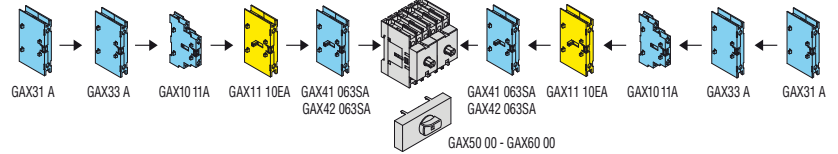
1	1	1	—	1	GA016 A + GA016 A GA025 A + GA025 A GA032 A + GA032 A GA040 A + GA040 A GA040 D + GA040 D ①	1	—	1	1	1
1	1	1	—	1		—	—	2	1	1
1	1	2	—	—		1	—	1	1	1
1	1	1	—	1		—	1	1	1	1
1	1	1	1	—		1	—	1	1	1
1	1	1	1	—		—	—	2	1	1
1	1	2	—	—		—	1	1	1	1
1	1	2	—	—		—	—	2	1	1
1	1	—	—	1		—	1	—	1	1
1	1	—	—	—		—	—	—	1	1

① GAX42 040D can be used with GA040 D switch only.

## GA063 SA

+ GAX50 00 -

GAX60 00

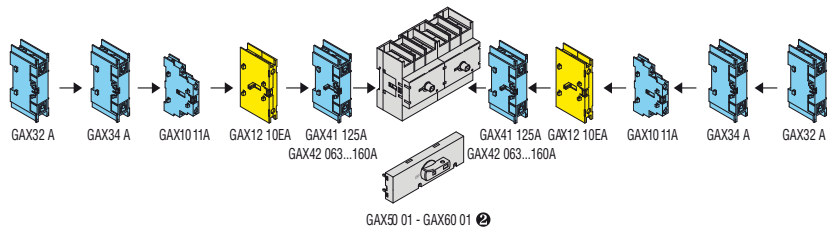


1	1	1	—	1	GA063SA + GA063SA	1	—	1	1	1
1	1	1	—	1		—	—	2	1	1
1	1	2	—	—		1	—	1	1	1
1	1	1	—	1		—	1	1	1	1
1	1	1	1	—		—	—	2	1	1
1	1	2	—	—		—	1	1	1	1
1	1	2	—	—		—	—	2	1	1
1	1	—	—	1		—	1	—	1	1
1	1	—	—	—		—	—	—	1	1

## GA063 A...GA160A

+ GAX50 01 -

GAX60 01



—	—	1	—	1	GA063 A + GA063 A GA080 A + GA080 A GA100 A + GA100 A GA125 A + GA125 A GA160 A + GA160 A ①	1	—	1	—	—
—	—	1	—	1		—	—	2	—	—
—	—	2	—	—		1	—	1	—	—
—	—	1	—	1		—	1	—	1	—
—	—	1	1	—		—	—	—	2	—
—	—	2	—	—		—	—	1	1	—
—	—	2	—	—		—	—	—	2	—
1	1	—	—	1		—	1	—	—	1
1	1	—	—	—		—	—	—	—	1

① GA160A can be fitted with a single auxiliary contact (GAX1011A) per side.

② Cannot be used with GA160A

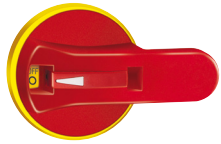
#### Handles



GAX61



GAX62



GAX66



GAX68



GAX63 B



GAX63 2B  
Low profile



GAX67 B



Order code	Characteristics	Qty per pack	Wt [kg]
DOOR COUPLING VERSION PADLOCKABLE, IP65. Red/yellow.			
GAX61	For GA...A, GA063 SA, GA...C, GA040 D and GD... Screw fixing. Handle with selector flush-mounted ①. □ 5mm/0.2".	1	0.073
GAX62	For GA...A, GA063 SA, GA...C, GA040 D and GD... Screw fixing. Handle with selector projecting ①. □ 5mm/0.2".	1	0.072
GAX63	For GA...A, GA063 SA, GA016 C... GA040 C, GA040 D and GD... Ring fixing. Handle with selector projecting ①②. □ 5mm/0.2".	1	0.068
GAX63 2	Per GA...A, GA063 SA, GA040 D and GD... Ring fixing lowered. Handle with selector projecting. □ 5mm/0.2" ①.	1	0.057
GAX64	For GA...A, GA063 SA, GA040 D and GD... Ring fixing. Handle with selector projecting - defeatable (requirement UL508A)③. □ 5mm/0.2".	1	0.064
GAX66	For GA063 A...GA160 A, and GAX60 01. Screw fixing. Lever handle - defeatable (req. UL 508A)③. □ 7mm/0.3".	1	0.140
GAX68	For GA016 A...GA063 SA, GA040 D, GA016 C...GA040 C and GD... Screw fixing. Handle with selector lowered ①. □ 5mm/0.2".	1	0.060
Black.			
GAX61 B	For GA...A, GA063 SA, GA...C, GA040 D and GD... Screw fixing. Handle with selector flush-mounted ①. □ 5mm/0.2".	1	0.073
GAX62 B	For GA...A, GA063 SA, GA...C, GA040 D and GD... Screw fixing. Handle with selector projecting ①. □ 5mm/0.2".	1	0.072
GAX63 B	For GA...A, GA063 SA, GA016 C... GA040 C, GA040 D and GD... Ring fixing. Handle with selector projecting ①②. □ 5mm/0.2".	1	0.068
GAX63 1B	For GA...A, GA063 SA, GA016 C... GA040 C, GA040 D and GD... Ring fixing. Handle with selector projecting padlockable in ON pos. (UNI 9490 and UNI EN 12845) ①②. □ 5mm/0.2".	1	0.074
GAX63 2B	For GA...A, GA063 SA, GA040 D and GD... Ring fixing lowered. Handle with selector projecting. □ 5mm/0.2" ①.	1	0.057
GAX64 B	For GA...A, GA063 SA, GA040 D and GD... Ring fixing. Handle with selector projecting - defeatable (requirement UL508A)③. □ 5mm/0.2".	1	0.064
GAX66 B	For GA063 A...GA160 A and GAX60 01. Screw fixing. Lever handle - defeatable (req. UL 508A)③. □ 7mm/0.3".	1	0.140
GAX67 B	For mechanical interlock GAX50... (I-O-II)①. □ 5mm/0.2".	1	0.078
GAX68 B	For GA016 A...GA063 SA, GA040 D, GA016 C...GA040 C and GD... Screw fixing. Handle with selector lowered ①. □ 5mm/0.2".	1	0.060
ACCESSORIES FOR DOOR COUPLING CONTROL For handle GAX66 and GAX66 B.			
GAX60 B	Adaptor □ 7mm/0.3" per GA063 A...GA160 A.	1	0.010

#### General and operational characteristics

- Choice of handle fixing: ring or screw
- Fixing handle interaxis:
  - GAX61/61B-GAX62/62B-GAX67B: 36x36mm/1.42x1.42" or 48x48mm/1.89x1.89"
  - GAX66/66B: 36x36mm/1.42x1.42"
  - GAX68/68B: 28x28mm/1.10x1.10" or 36x36mm/1.42x1.42"
- Compatible with pre-existing drillings of most common types on marketplace
- 1 to 3 padlocks Ø4...8mm/0.16...0.31" for all handles (except GAX68 only one Ø4...8mm/0.16...0.31")
- Front plate dimensions:
  - GAX61/61B-GAX62/62B-GAX63/63B-GAX64/64B-GAX67/67B: 65x65mm/2.56x2.56"
  - GAX66/66B: Ø75mm/2.95"
  - GAX68/68B: 48x48mm/1.89x1.89"
- Tightening torque:
  - Fixing ring types: 2.3Nm/20.4lbin
  - GAX60B: 0.8Nm/7lbin
  - GAX66/66B: 1.5Nm/13.3lbin
  - All others: 1Nm/9lbin
- Degree of protection for all: IP65
- Degree of protection for GAX66/66B: IP66; for UL/CSA data see detail on page 3-7.

#### Certifications and compliance

See the table on page 3-7.

- For GA...A and GA040 D switch connectors, separately purchase extension GAX7...
- Snap-on fixing of GA016 C...GA040 C switch disconnectors with the handle.
- Separately purchase GAX7...A shaft extension and GAX60 B handle having a 7mm square section, not required for GAX60 01.

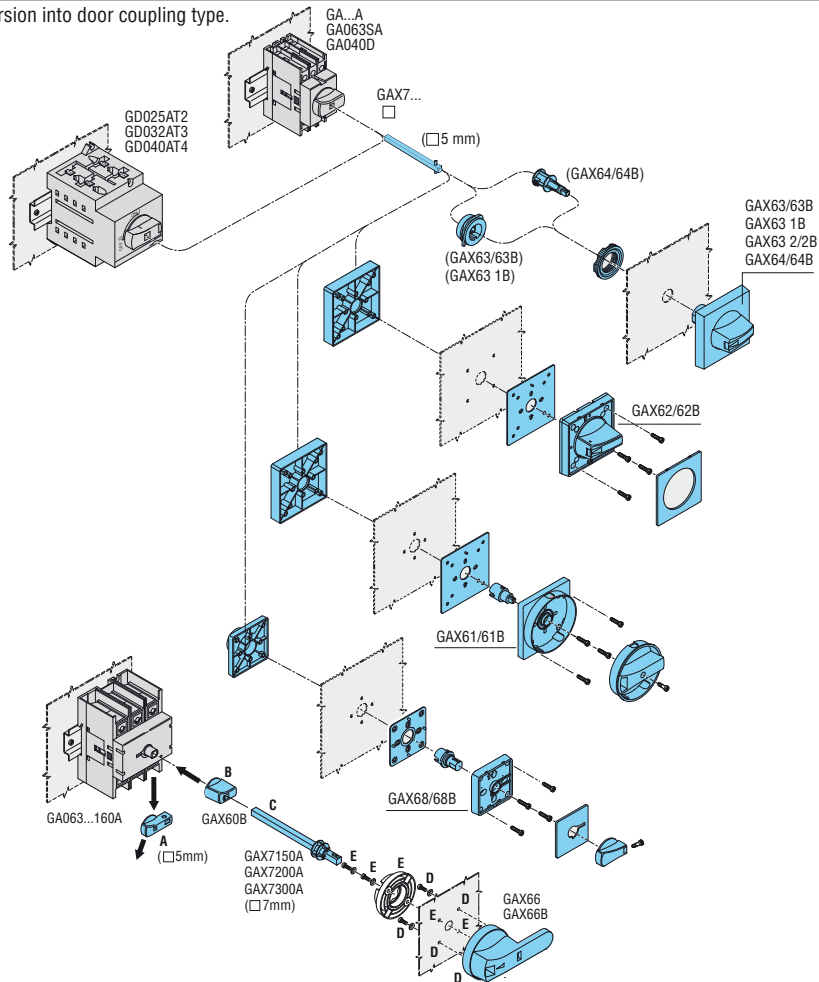
# SWITCH DISCONNECTORS & CAM SWITCHES

GA series 16A to 125A switch disconnectors

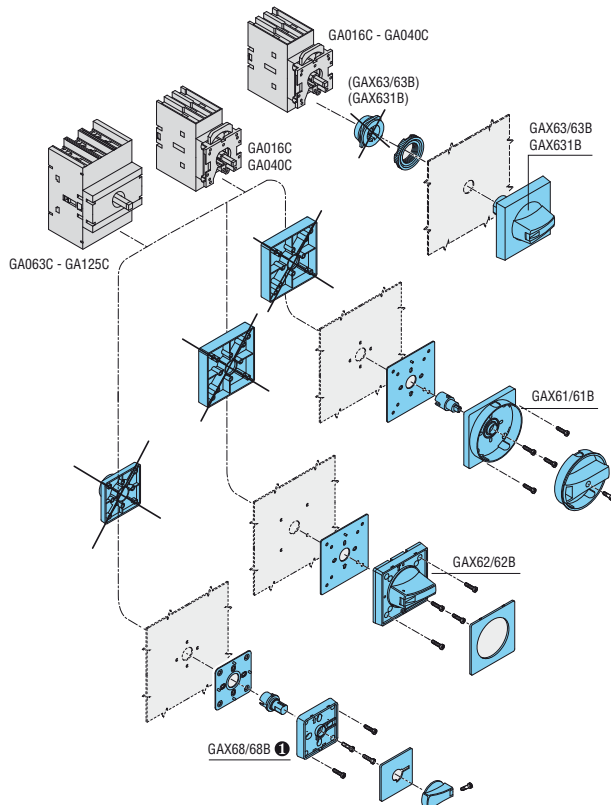
Accessories



Transformation of direct operating version into door coupling type.

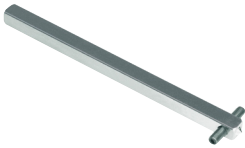


Door-mount version



① Only for GA016C...GA040C

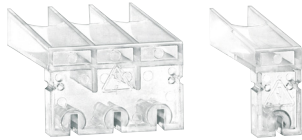
**Shaft extensions**  
**Terminal covers**  
**Fuse holders/blocks**



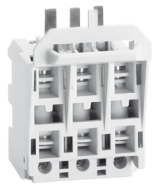
GAX7...



GAX7... A



GAX8...



GAX39 1

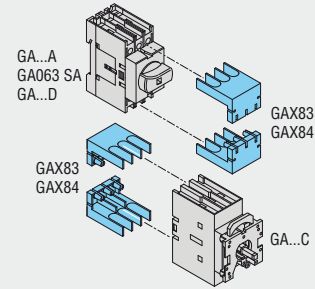
Order code	Characteristics	Qty per pkg	Wt
		n°	[kg]
Shaft extension for door-coupling handles GAX61-GAX64, GAX61 B-GAX64 B, GAX67 B and mechanical interlock type GAX50 00, GAX50 01 and coupling system GAX60 00.			
<b>GAX7 055</b>	55mm long; □ 5mm/0.2"	1	0,012
<b>GAX7 070</b>	70mm long; □ 5mm/0.2"	1	0.014
<b>GAX7 090</b>	90mm long; □ 5mm/0.2"	1	0.018
<b>GAX7 150</b>	150mm long; □ 5mm/0.2"	1	0.032
<b>GAX7 200</b>	200mm long; □ 5mm/0.2"	1	0.040
<b>GAX7 300</b>	300mm long; □ 5mm/0.2"	1	0.068
<b>GAX7 400</b>	400mm long; □ 5mm/0.2"	1	0.072
<b>GAX7 500</b>	500mm long; □ 5mm/0.2"	1	0.090
Shaft extension for door-coupling handles GAX66, GAX66 B and mechanical coupling system GAX60 01.			
<b>GAX7 150A</b>	150mm long; □ 7mm/0.3"	1	0.090
<b>GAX7 200A</b>	200mm long; □ 7mm/0.3"	1	0.112
<b>GAX7 300A</b>	300mm long; □ 7mm/0.3"	1	0.160
Set of 2 one-pole terminal covers for fourth pole.			
<b>GAX81</b>	For GAX42 040A, GAX42 040C, GAX42 040D, GAX41 040A, GAX41 040C, GAX41 063SA, GAX42 063SA	1	0.009
<b>GAX82</b>	For GAX42 063A-GAX42 125A, GAX42 063C-GAX42 125C, GAX42 080D, GAX42 125D, GAX41 125A, GAX41 125C	1	0.012
Set of 2 three-pole terminal covers.			
<b>GAX83</b>	For GA016 A-GA040 A, GA063 SA, GA016 C-GA040 C, GA040 D	1	0.018
<b>GAX84</b>	For GA063 A-GA125 A, GA063 C-GA125 C, GA080 D, GA125 D	1	0.030
Fuse holder/block for switch disconnectors.			
<b>GAX39 1</b>	For GA016 A-GA032 A Suitable for 10.3x38 fuse size	1	0.132
<b>GAX39 1UL</b>	For GA016 A-GA025 A Suitable for Class CC fuses	1	0.135

**Operational characteristics of fuse holder**

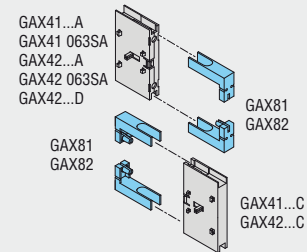
- IEC rated insulation voltage Ui: 1000V
- IEC rated impulse withstand voltage Uimp: 8kV
- The fuse holder/block connects directly to the switch disconnectors.
- Access to fuses only when the switch disconnectors are in OFF position.

**Terminal covers**

For switch disconnectors



For fourth pole



**Certifications and compliance**

Certifications obtained:

Type	EAC	cULus per UL508 / CSA C22.2 n°14 UL Listed (File E93602)	cULus per UL98 / CSA C22.2 n°4 UL Listed (File E328470)
GAX7 055...GAX7 500	●	●	●
GAX7 150A ... GAX7 300A	●	—	●
GAX81-GAX83	●	●	—
GAX82-GAX84	●	—	●
GAX39 1	●	—	—
GAX39 1UL	—	●	—

● Certification obtained.

Compliant with standards: IEC/EN 60947-1, IEC/EN 60947-3, UL508, UL98, CSA C22.2.



# SWITCH DISCONNECTORS & CAM SWITCHES

GA series 16A to 160A switch disconnectors

Empty non-metallic enclosures



## IEC/EN type IP65



GAZ1



GAZ2



GAZ3

Order code	Description	Qty per pkg	Wt
		n°	[kg]

For switch disconnectors.  
With rotating red/yellow handle. Complete with shaft extension.

**new**

<b>GAZ1</b>	For GA016 A-GA040 A and GA040 D	1	0.320
<b>GAZ2</b>	For GA063 SA, GA063 A-GA100 A and GA080 D	1	0.780
<b>GAZ3</b>	For GA125 A and GA160A	1	1.900

With rotating black handle. Complete with shaft extension.

**new**

<b>GAZ1 B</b>	For GA016 A-GA040 A and GA040 D	1	0.320
<b>GAZ2 B</b>	For GA063 SA, GA063 A-GA100 A	1	0.780
<b>GAZ3 B</b>	For GA125 A and GA160A	1	1.900

The empty enclosures are supplied with the following accessories:

Enclosure	GAZ1 GAZ1B	GAZ2 GAZ2B	GAZ3 GAZ3B
Red/yellow handle	GAX61	GAX61	GAX61
Black handle	GAX61B	GAX61B	GAX61B
Extension	1	1	1
Neutral plate terminal	1	1	-
Earth/Ground plate terminal	1	1	-

### General characteristics

- Enclosure material: ABS
- Padlockable handle
- Sealable cover
- For GAZ3/3B if any earth/ground and/or neutral terminal required, separately purchase types GAX3... given on page 3-2.
- Tightening torque for cover screws:
  - GAZ1/1B: 1.3Nm/16lbin
  - Other types: 1.5Nm/13lbin
- IEC/EN degree of protection: IP65
- Cable entry:
  - GAZ1/1B: PG16/M25 and PG13.5/M20 knockouts
  - GAX2/2B: PG29/M32 and PG16/M25 knockouts
  - GAZ3/3B: Smooth surfaces; can be drilled by customer.

### Certifications and compliance

Certifications obtained: EAC.  
Compliant with standards: IEC/EN 60947-1, IEC/EN 60947-3.

For dimensions and technical data visit [mechtric.com.au](http://mechtric.com.au)

#### IEC/EN type IP65 non-metallic enclosure



GAZ016... - GAZ040



GAZ063... 100 C



GAZ125...

Order code	IEC conventional free air thermal current Ith AC21A (≤690V)	Qty per pkg	Wt
	[A]	n°	[kg]

THREE POLE.  
With rotating red/yellow handle.

GAZ016	16	1	0.450
GAZ025	25	1	0.450
GAZ032	32	1	0.450
GAZ040	40	1	0.450
GAZ063 SA	63	1	0.870
GAZ063 C	63	1	1.220
GAZ080 C	80	1	1.220
GAZ100 C	100	1	1.220
GAZ125	125	1	2.220
GAZ160	160	1	2.220

new

With rotating black handle.

GAZ016 B	16	1	0.450
GAZ025 B	25	1	0.450
GAZ032 B	32	1	0.450
GAZ040 B	40	1	0.450
GAZ063 SAB	63	1	0.870
GAZ063 CB	63	1	1.220
GAZ080 CB	80	1	1.220
GAZ100 CB	100	1	1.220
GAZ125 B	125	1	2.220
GAZ160 B	160	1	2.220

new

FOUR POLE.  
With rotating red/yellow handle.

GAZ016 T4	16	1	0.550
GAZ032 T4	32	1	0.550
GAZ063 CT4	63	1	1.250
GAZ100 CT4	100	1	1.250
GAZ125 T4	125	1	2.500
GAZ160 T4	160	1	2.500

new

With rotating black handle.

GAZ016 T4B	16	1	0.550
GAZ032 T4B	32	1	0.550
GAZ063 CT4B	63	1	1.250
GAZ100 CT4B	100	1	1.250
GAZ125 T4B	125	1	2.500
GAZ160 T4B	160	1	2.500

new

Enclosure	Switch disconnector	Handle
GAZ1	GA016 A	GAX61
GAZ1	GA025 A	GAX61
GAZ1	GA032 A	GAX61
GAZ1	GA040 A	GAX61
GAZ2	GA063 SA	GAX61
GAZ2	GA063 A	GAX61
GAZ2	GA080 A	GAX61
GAZ2	GA100 A	GAX61
GAZ3	GA125 A	GAX61
GAZ3	GA160 A	GAX61

GAZ1 B	GA016 A	GAX61 B
GAZ1 B	GA025 A	GAX61 B
GAZ1 B	GA032 A	GAX61 B
GAZ1 B	GA040 A	GAX61 B
GAZ2 B	GA063 SA	GAX61 B
GAZ2 B	GA063 A	GAX61 B
GAZ2 B	GA080 A	GAX61 B
GAZ2 B	GA100 A	GAX61 B
GAZ3 B	GA125 A	GAX61 B
GAZ3 B	GA160 A	GAX61 B

Enclosure	Switch disconnector	Fourth pole	Handle
GAZ1	GA016 A	GAX42040A	GAX61
GAZ1	GA032 A	GAX42040A	GAX61
GAZ2	GA063 A	GAX42063A	GAX61
GAZ2	GA100 A	GAX42100A	GAX61
GAZ3	GA125 A	GAX42125A	GAX61
GAZ3	GA160 A	GAX42160A	GAX61

GAZ1 B	GA016 A	GAX42040A	GAX61 B
GAZ1 B	GA032 A	GAX42040A	GAX61 B
GAZ2 B	GA063 A	GAX42063A	GAX61 B
GAZ2 B	GA100 A	GAX42100A	GAX61 B
GAZ3 B	GA125 A	GAX42125A	GAX61 B
GAZ3 B	GA160 A	GAX42160A	GAX61 B

#### General characteristics

- Enclosure material: ABS
- For four-pole types not indicated, separately purchase corresponding fourth pole GAX42...A and install on enclosed 3-pole version
- Possible accessories to mount afterwards, if required:
  - GAZ016-GAZ040 types: 1 contact block both on right and left disconnector side unless 4th pole is installed
  - All other types: 2 contact blocks both on the right and left disconnector side unless 4th pole is installed
- For GAZ125 types: if any earth/ground and/or neutral terminal required, separately purchase types GAX3... given on page 3-2.
- Padlockable handle
- Sealable cover
- Tightening torque for cover screws:
  - GAZ016-GAZ040 types: 1.3Nm/16lbin
  - All other types: 1.5Nm/13lbin
- IEC/EN degree of protection: IP65
- Cable entry:
  - GAZ016-GAZ040 types: PG16/M25 and PG13.5/M20 knockouts
  - GAZ063SA-GAZ100 types: PG29/M32 and PG16/M25 knockouts
  - GAZ125 types: Smooth surfaces; can be drilled by customer.

#### Certifications and compliance

Certifications obtained: EAC.  
Compliant with standards: IEC7EN 60947-1, IEC/EN 60947-3.

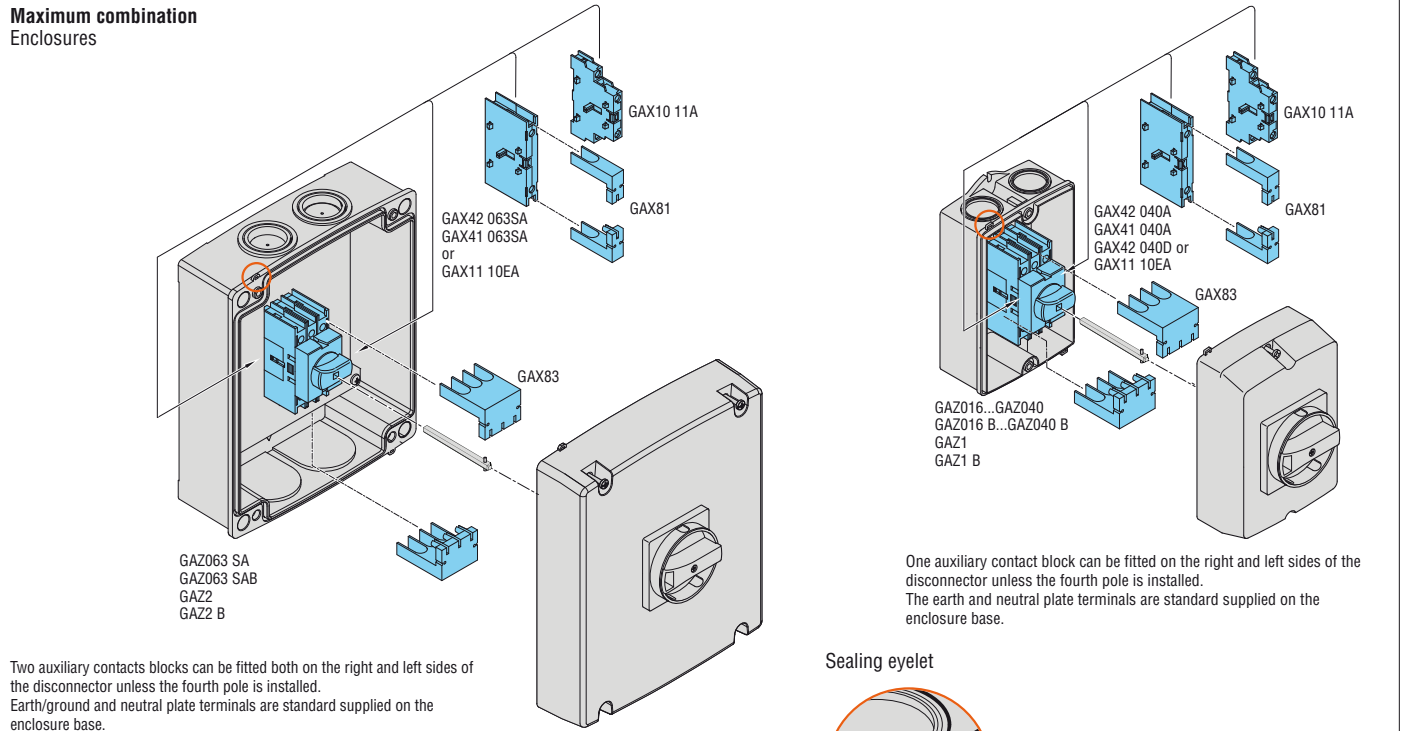
For dimensions and technical data visit [mechtric.com.au](http://mechtric.com.au)

# SWITCH DISCONNECTORS & CAM SWITCHES

GA series 16A to 160A switch disconnectors

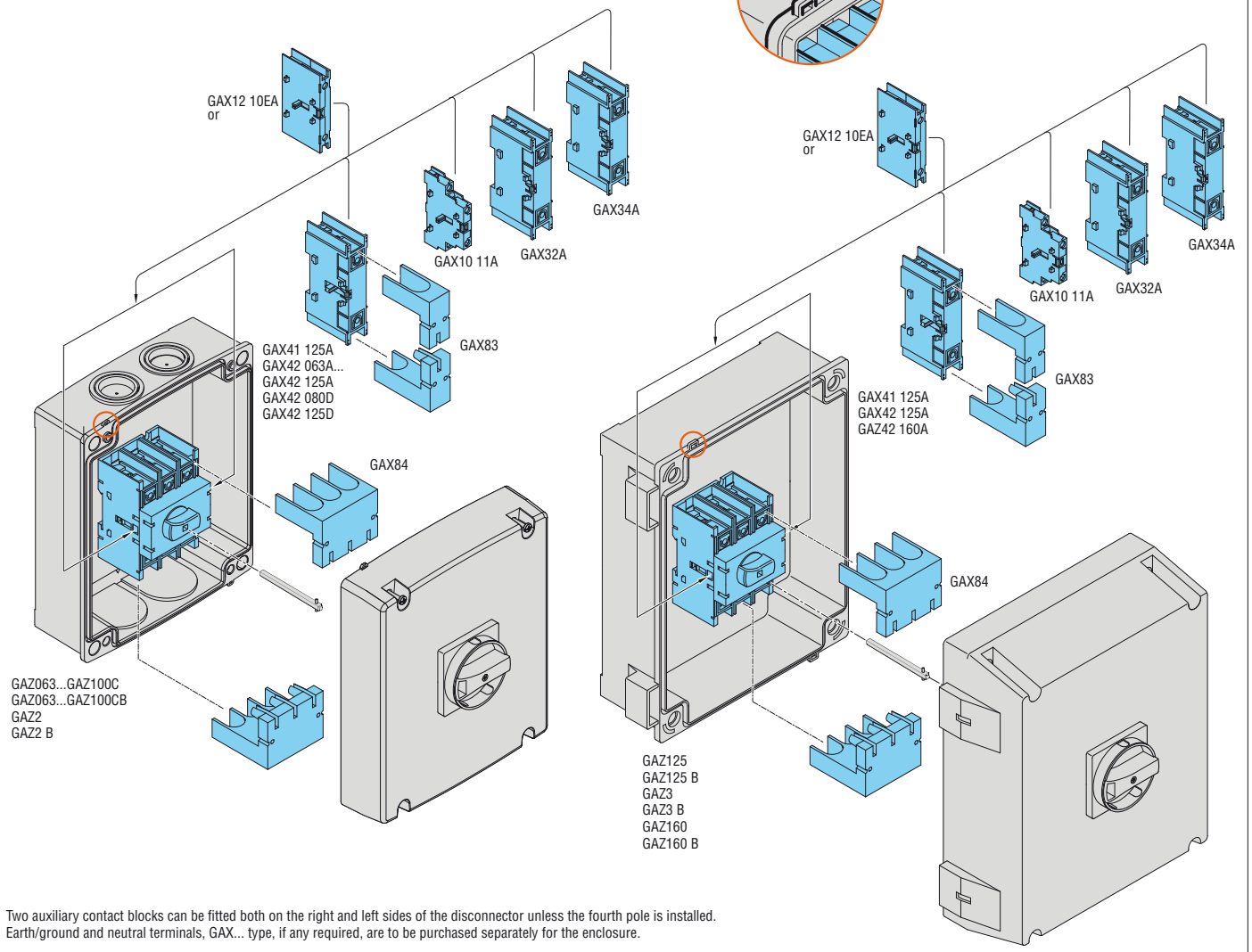
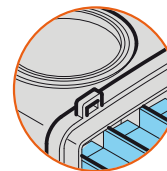


## Maximum combination Enclosures



Two auxiliary contacts blocks can be fitted both on the right and left sides of the disconnector unless the fourth pole is installed. Earth/ground and neutral plate terminals are standard supplied on the enclosure base.

## Sealing eyelet



### Three-pole switch disconnectors



GE...

Order code	IEC conventional free air thermal current Ith AC21A (≤500V)	IEC rated operational current Ie		Qty per pkg	Wt [kg]
		AC23A (≤400V)	AC23A (≤500V)		
	[A]	[A]	[A]	n°	[kg]
Separately purchase the handle and shaft extension ❶.					
<b>GE0160 P</b> ❷	160	160	125	1	0.850
<b>GE0160</b>	160	160	125	1	0.850
<b>GE0200</b>	200	160	125	1	0.900
<b>GE0250</b>	250 ❸	160	125	1	0.900
<b>GE0251</b>	250	250	200	1	1.700
<b>GE0315</b>	315	315	250	1	1.700
<b>GE0400</b>	400	400	315	1	1.900
<b>GE0500</b>	500	500	400	1	4.200
<b>GE0630</b>	630	630	500	1	4.200
<b>GE0800</b>	800	800	500	1	4.200
<b>GE1000</b>	1000	800	800	1	7.600
<b>GE1250</b>	1250	800	800	1	7.600
<b>GE1600</b>	1600	1000	900	1	20.800

### Three-pole switch disconnectors with fuse holder



GE...F - GE...N - GE...B

With NFC fuse holder ❸❹.					
Separately purchase the handle and shaft extension ❶❷.					
Order code	Ith	Ie	Ie	Qty	Wt
<b>GE0050 F</b> ❷	50	50	50	1	1.250
<b>GE0125 F</b> ❷	125	125	125	1	1.700
With NH fuse holder ❸.					
Separately purchase the handle and shaft extension ❶❷.					
<b>GE0160 N</b>	160	160	125	1	1.700
<b>GE0161 N</b>	160	160	160	1	3.100
<b>GE0250 N</b>	250	250	250	1	6.600
<b>GE0400 N</b>	400	400	400	1	6.600
<b>GE0630 N</b>	630	630	630	1	13.000
<b>GE0800 N</b>	800	630	630	1	13.000
With BS fuse holder ❸.					
Separately purchase the handle and shaft extension ❶❷.					
<b>GE0160 B</b>	160	160	160	1	3.500
<b>GE0200 B</b>	200	200	200	1	3.500
<b>GE0250 B</b>	250	250	250	1	6.600
<b>GE0315 B</b>	315	315	315	1	6.600
<b>GE0400 B</b>	400	400	400	1	6.600
<b>GE0630 B</b>	630	630	630	1	13.000
<b>GE0800 B</b>	800	630	630	1	13.000

- ❶ Refer to the side table for the selection of the handle. A shaft insert is standard-supplied with all direct operating handles so no other shaft extension is required in this case.
- ❷ See table on page 3-17 also for the types of fuses.
- ❸ The switch disconnector is standard-supplied with fuse protection shield.
- ❹ Standard supplied with IEC IP20 terminal protection.
- ❺ IEC 250A Ith; IEC 200A AC21A ≤500V.

### Selection of handle and accessories

Types of handle to use per type are given below. Also refer to pages 3-14 and 3-17 for other accessories.

Direct operating	Door coupling	
	Black	Red/yellow
Black	Black	Red/yellow
GEX65D	GAX66B	GAX66
GEX66ND	GEX66NB	GEX66N
GEX67ND	GEX67NB	GEX67N
GEX68ND	GEX68NB	GEX68N

Direct operating	Door coupling	
	Black	Red/yellow
Black	Black	Red/yellow
GEX61D	GEX61NB	GEX61N
GEX62D	GEX66NB	GEX66N
GEX63D	GEX67NB	GEX67N
GEX64D	GEX68NB	GEX68N
Direct operating	Door coupling	
	Black	Red/yellow
Black	Black	Red/yellow
GEX62D	GEX66NB	GEX66N
GEX63D	GEX67NB	GEX67N
GEX64D	GEX68NB	GEX68N

### General characteristics

- IEC 50A to 1600A ratings
- Available versions: direct operating and door coupling
- Screw fixing: 35mm DIN rail mount adapter kit for GE0160 P on p. 3-14
- Padlockable at 0 position with no extra accessory.

### Operational characteristics

- IEC rated insulation voltage Ui:
  - 1000V for GE0160 P, GE0160-GE1600, GE0250 N/B-GE0800 N/B
  - 800V for GE0050 F, GE0125 F, GE0160 N/B, GE0161 N, and GE0200 B
- Mechanical life:
  - 30,000 cycles for GE0160 P, GE0160-GE0250,
  - 20,000 cycles for GE0251-GE0400
  - 10,000 cycles for GE0500-GE1600, GE0050 F, GE0125 F, GE0160 N/B-GE0400 N/B
  - 5,000 cycles for GE0630 N/B-GE0800 N/B.

### Certifications and compliance

Certifications obtained: EAC.  
Compliant with standards: IEC/EN 60947-1, IEC/EN 60947-3.

For dimensions and technical data visit [mechtric.com.au](http://mechtric.com.au)

### Four-pole switch disconnectors



GE...T4...

Order code	IEC conventional free air thermal current I <sub>th</sub>		IEC rated operational current I <sub>e</sub>		Qty per pkg	Wt [kg]
	AC21A (≤500V)	AC23A (≤400V)	AC23A (≤500V)			
	[A]	[A]	[A]	n°		[kg]
Separately purchase the handle and shaft extension ❶.						
GE0160 T4P❷	160	160	125	1	1.000	
GE0160 T4	160	160	125	1	1.000	
GE0200 T4	200	160	125	1	1.000	
GE0250 T4	250❸	160	125	1	1.000	
GE0251 T4	250	250	200	1	1.900	
GE0315 T4	315	315	250	1	1.900	
GE0400 T4	400	400	315	1	2.100	
GE0500 T4	500	500	400	1	4.500	
GE0630 T4	630	630	500	1	4.500	
GE0800 T4	800	800	500	1	4.500	
GE1000 T4	1000	800	800	1	7.600	
GE1250 T4	1250	800	800	1	7.600	
GE1600 T4	1600	1000	900	1	20.800	

### Four-pole switch disconnectors with fuse holder



GE...FT4 - GE...NT4 - GE...BT4

With NFC fuse holder ❸❹.						
Separately purchase the handle and shaft extension ❶❷.						
GE0050 FT4❸	50	50	50	1	1.250	
GE0125 FT4❸	125	125	125	1	1.700	
With NH fuse holder ❸.						
Separately purchase the handle and shaft extension ❶❷.						
GE0160 NT4	160	160	125	1	2.200	
GE0161 NT4	160	160	160	1	8.000	
GE0250 NT4	250	250	250	1	8.000	
GE0400 NT4	400	400	400	1	8.000	
GE0630 NT4	630	630	630	1	15.000	
GE0800 NT4	800	630	630	1	15.000	
With BS fuse holder ❸.						
Separately purchase the handle and shaft extension ❶❷.						
GE0160 BT4	160	160	160	1	4.000	
GE0200 BT4	200	200	200	1	4.000	
GE0250 BT4	250	250	250	1	4.000	
GE0315 BT4	315	315	315	1	8.000	
GE0400 BT4	400	400	400	1	8.000	
GE0630 BT4	630	630	630	1	15.000	
GE0800 BT4	800	630	630	1	15.000	

- ❶ Refer to the side table for the selection of the handle. A shaft insert is standard-supplied with all direct operating handles so no other shaft extension is required in this case.
- ❷ See table on page 3-18 also for the types of fuses.
- ❸ The switch disconnector is standard-supplied with fuse protection shield.
- ❹ Standard supplied with IEC IP20 terminal protection.
- ❺ IEC 250A I<sub>th</sub>; IEC 200A AC21A  $\approx$ 500V.

### Selection of handles and accessories

Types of handle to use per type are given below. Also refer to pages 3-14 and 3-18 for other accessories.

Direct operating	Door coupling	
	Black	Red/yellow
GEX65D	GAX66B	GAX66
GEX66ND	GEX66NB	GEX66N
GEX67ND	GEX67NB	GEX67N
GEX68ND	GEX68NB	GEX68N

Direct actuator	Door coupling	
	Black	Red/yellow
GEX61D	GEX61NB	GEX61N
GEX62D	GEX66NB	GEX66N
GEX63D	GEX67NB	GEX67N
GEX64D	GEX68NB	GEX68N
Direct actuator	Door coupling	
	Black	Red/yellow
GEX62D	GEX66NB	GEX66N
GEX63D	GEX67NB	GEX67N
GEX64D	GEX68NB	GEX68N

### General characteristics

- IEC 50A to 1600A ratings
- 4-pole types (3P+N) with early-make late-break neutral pole
- Available versions: direct operating and door coupling
- Screw fixing: 35mm DIN rail mount adapter kit for GE0160 T4P on p. 3-14
- Padlockable at 0 position with no extra accessory.

### Operational characteristics

- IEC rated insulation voltage U<sub>i</sub>:
  - 1000V for GE1600 T4P, GE0160 T4-GE1600 T4, GE0250 NT4/BT4-GE0800 NT4/BT4
  - 800V for GE0050 FT4, GE0125 FT4, GE0160 NT4/BT4, GE0161 NT, GE0200 BT4
- Mechanical life:
  - 30,000 cycles for GE1600 T4P, GE0160 T4-GE0250 T4
  - 20,000 cycles for GE0251 T4-GE0400 T4
  - 10,000 cycles for GE0500 T4-GE1600 T4, GE0050 FT4, GE0125 FT4, GE0160 NT4/BT4-GE0400 NT4/BT4
  - 5,000 cycles for GE0630 NT4/BT4, GE0800 NT4/BT4.

### Certifications and compliance

Certifications obtained: EAC.  
Compliant with standards: IEC/EN 60947-1, IEC/EN 60947-3.  
For dimensions and technical data visit [mechtric.com.au](http://mechtric.com.au)

### Three-pole changeover switches



GE...E

Order code	IEC conventional free air thermal current Ith AC21A (≤500V)	IEC rated operational current Ie		Qty per pkg	Wt [kg]
		AC23B (≤400V)	AC23B (≤500V)		
	[A]	[A]	[A]	n°	
Separately purchase the handle and shaft extension❶.					
<b>GE0160 E</b>	160	160	125	1	1.800
<b>GE0200 E</b>	200	160	125	1	1.900
<b>GE0201 E</b>	200	160	125	1	4.800
<b>GE0250 E</b>	250	180	150	1	4.800
<b>GE0315 E</b>	315	200	160	1	5.000
<b>GE0400 E</b>	400	250	200	1	5.000
<b>GE0500 E</b>	500	400	250	1	11.500
<b>GE0630 E</b>	630	500	315	1	11.500
<b>GE0800 E</b>	800	630	400	1	11.900
<b>GE1000 E</b>	1000	1000	800	1	21.800
<b>GE1250 E</b>	1250	1000	900	1	23.600
<b>GE1600 E</b>	1600	1000	900	1	50.000

### Four-pole changeover switches



GE...ET4

Order code	IEC conventional free air thermal current Ith AC21A (≤500V)	IEC rated operational current Ie		Qty per pkg	Wt [kg]
		AC23B (≤400V)	AC23B (≤500V)		
	[A]	[A]	[A]	n°	[kg]
Separately purchase the handle and shaft extension❶.					
<b>GE0160 ET4</b>	160	160	125	1	2.100
<b>GE0200 ET4</b>	200	160	125	1	2.200
<b>GE0201 ET4</b>	200	160	125	1	5.300
<b>GE0250 ET4</b>	250	180	150	1	5.300
<b>GE0315 ET4</b>	315	200	160	1	5.500
<b>GE0400 ET4</b>	400	250	200	1	5.500
<b>GE0500 ET4</b>	500	400	250	1	12.600
<b>GE0630 ET4</b>	630	500	315	1	12.600
<b>GE0800 ET4</b>	800	630	400	1	13.200
<b>GE1000 ET4</b>	1000	1000	800	1	24.300
<b>GE1250 ET4</b>	1250	1000	900	1	26.700
<b>GE1600 ET4</b>	1600	1000	900	1	55.000

❶ Refer to the side table for the selection of the handle. A shaft insert is standard-supplied with all direct operating handles so no other shaft extension is required in this case.

#### Selection of handles and accessories

Types of handle to use per type are given below. Also refer to pages 3-14 and 3-18 for other accessories.

Direct actuator	Door coupling
Black	Black
GE0160E	GE0160NC
GE0200E	GE0200NC
GE0201E	GE0201NC
GE0250E	GE0250NC
GE0315E	GE0315NC
GE0400E	GE0400NC
GE0500E	GE0500NC
GE0630E	GE0630NC
GE0800E	GE0800NC
GE1000E	GE1000NC
GE1250E	GE1250NC
GE1600E	GE1600NC

#### Selection of handles and accessories

Types of handle to use per type are given below. Also refer to pages 3-14 and 3-18 for other accessories.

Direct actuator	Door coupling
Black	Black
GE0160ET4	GE0160NC
GE0200ET4	GE0200NC
GE0201ET4	GE0201NC
GE0250ET4	GE0250NC
GE0315ET4	GE0315NC
GE0400ET4	GE0400NC
GE0500ET4	GE0500NC
GE0630ET4	GE0630NC
GE0800ET4	GE0800NC
GE1000ET4	GE1000NC
GE1250ET4	GE1250NC
GE1600ET4	GE1600NC

#### General characteristics

- IEC 160A to 1600A ratings
- 4-pole types (3P+N) with early-make late-break neutral pole
- Available versions: direct operating and door coupling
- Screw fixing
- Padlockable at 0 position with no extra accessory.

#### Operational characteristics

- IEC rated insulation voltage Ui: 1000V
- Mechanical life: 30,000 cycles for GE0160 E/ET4 and GE0200 E/ET4 only; 10,000 cycles for other types.

#### Certifications and compliance

Certifications obtained: EAC.  
Compliant with standards: IEC/EN 60947-1, IEC/EN 60947-3.

For dimensions and technical data visit [mechtric.com.au](http://mechtric.com.au)

# SWITCH DISCONNECTORS & CAM SWITCHES

GE series 50A to 1600A switch disconnectors

Add-on blocks and accessories



## Auxiliary contacts

### Terminal covers

### Motorised unit



GEX10...



GEX89 00



GEX8...



GEX69...

For the correct choice of auxiliary contacts, terminals covers and motorised unit for the switch disconnector, refer to tables on pages 3-16 to 3-20.

Order code	Characteristics	Qty	Wt
		per pkg	
		n°	[kg]

Auxiliary contacts<sup>①②</sup>.

<b>GEX10 11</b> <sup>②</sup>	1NO/1NC changeover/SPDT	1	0.032
------------------------------	-------------------------	---	-------

Auxiliary contacts for switch disconnector types GE0050 F, GE0050 FT4, GE0125 F, GE0125 FT4, GE0160 N and GE0160 NT4.

<b>GEX10 11N</b> <sup>②</sup>	1NO/1NC changeover/SPDT	1	0.024
-------------------------------	-------------------------	---	-------

Auxiliary contacts for switch disconnector types GE0160 E, GE0200 E, GE0160 ET4, GE0200 ET4, GE1600 E and GE1600 ET4.

<b>GEX10 11M</b> <sup>②</sup>	1NO/1NC changeover/SPDT	1	0.016
-------------------------------	-------------------------	---	-------

Adapter kit for 35mm DIN fixing.

<b>GEX89 00</b>	For GE...P types only	1	0.040
-----------------	-----------------------	---	-------

Set of terminal covers consisting of pieces given below. See tables on pages 3-16 to 3-20 for the selection based on the switch disconnector type. Screw fixing.

<b>GEX81 01</b>	1-piece set, transparent sheet covering four poles	1	0.048
-----------------	--	---	-------

<b>GEX81 11</b>	2-piece set, each covers two poles	1	0.080
-----------------	------------------------------------	---	-------

<b>GEX81 21</b>	2-piece set, each covers two poles	1	0.140
-----------------	------------------------------------	---	-------

<b>GEX81 31</b>	2-piece set, each covers two poles	1	0.170
-----------------	------------------------------------	---	-------

<b>GEX81 41</b>	2-piece set, each covers two poles	1	0.440
-----------------	------------------------------------	---	-------

Snap-on fixing.

<b>GEX82 01</b>	3-piece set, each covers one pole	1	0.090
-----------------	-----------------------------------	---	-------

<b>GEX82 03</b>	4-piece set, each covers one pole	1	0.120
-----------------	-----------------------------------	---	-------

<b>GEX82 11</b>	3-piece set, each covers one pole	1	0.120
-----------------	-----------------------------------	---	-------

<b>GEX82 12</b>	3-piece set, each covers one pole	1	0.120
-----------------	-----------------------------------	---	-------

<b>GEX82 13</b>	4-piece set, each covers one pole	1	0.160
-----------------	-----------------------------------	---	-------

<b>GEX82 21</b>	3-piece set, each covers one pole	1	0.240
-----------------	-----------------------------------	---	-------

<b>GEX82 22</b>	3-piece set, each covers one pole	1	0.240
-----------------	-----------------------------------	---	-------

<b>GEX82 23</b>	4-piece set, each covers one pole	1	0.320
-----------------	-----------------------------------	---	-------

<b>GEX82 31</b>	3-piece set, each covers one pole	1	0.340
-----------------	-----------------------------------	---	-------

<b>GEX82 32</b>	3-piece set, each covers one pole	1	0.340
-----------------	-----------------------------------	---	-------

<b>GEX82 33</b>	4-piece set, each covers one pole	1	0.440
-----------------	-----------------------------------	---	-------

<b>GEX83 11</b>	3-piece set, each covers one pole	1	0.120
-----------------	-----------------------------------	---	-------

<b>GEX83 12</b>	4-piece set, each covers one pole	1	0.160
-----------------	-----------------------------------	---	-------

<b>GEX83 21</b>	3-piece set, each covers one pole	1	0.260
-----------------	-----------------------------------	---	-------

<b>GEX83 22</b>	4-piece set, each covers one pole	1	0.340
-----------------	-----------------------------------	---	-------

<b>GEX83 31</b>	3-piece set, each covers one pole	1	0.360
-----------------	-----------------------------------	---	-------

<b>GEX83 32</b>	4-piece set, each covers one pole	1	0.460
-----------------	-----------------------------------	---	-------

Motorised control unit for changeover switches.

Rated auxiliary supply voltage 230VAC/DC.

Complete with control handle, shaft extension and fixing elements.

<b>GEX69 0C</b>	For GE0160 E...GE0200 E and GE0160 ET4...GE0200 ET4	1	3.000
-----------------	---	---	-------

<b>GEX69 1C</b>	For GE0201 E...GE0400 E and GE0201 ET4...GE0400 ET4	1	3.000
-----------------	---	---	-------

<b>GEX69 2</b>	For GE0500 E-GE0800 E and GE0500 ET4-GE0800 ET4	1	5.340
----------------	---	---	-------

<b>GEX69 3</b>	For GE1000 E-GE1600 E and GE1000 ET4-GE1600 ET4	1	5.753
----------------	---	---	-------

<b>GEX69 3</b>	For GE1000 E-GE1600 E and GE1000 ET4-GE1600 ET4	1	5.753
----------------	---	---	-------

<b>GEX69 3</b>	For GE1000 E-GE1600 E and GE1000 ET4-GE1600 ET4	1	5.753
----------------	---	---	-------

<b>GEX69 3</b>	For GE1000 E-GE1600 E and GE1000 ET4-GE1600 ET4	1	5.753
----------------	---	---	-------

<sup>①</sup> Suitable for all types except switch disconnectors GE0050 F, GE0050 FT4, GE0125 F, GE0125 FT4, GE0160 N, GE0160 NT4, GE0160 E, GE0200 E, GE0160 ET4, GE0200 ET4, GE1600 E and GE1600 ET4.

<sup>②</sup> Changeover contact/SPDT.

## Selection of add-on contacts and accessories

Refer to the combinations given on pages 3-16 to 3-20 for a correct choice based on the switch disconnector type used.

## General characteristics for auxiliary contacts

IEC conventional free air thermal current Ith: 16A.

## General characteristics for motorised control unit

- IEC rated auxiliary supply voltage: 230VAC/DC
- 4 static outputs, 24VDC 120mA total
- 4 inputs, contacts powered at 24VDC or 5VDC (500mA) for changeover control (pulsed or continuous)
- RS485 Modbus serial port for control, monitoring, programming
- Padlockable at 0 position
- Programming by position inputs
- 4-digit display for status-error indications.

## Certifications and compliance

Certifications obtained: EAC.  
Compliant with standards: IEC/EN 60947-1, IEC/EN 60947-3.

For dimensions and technical data visit [mechtronic.com.au](http://mechtronic.com.au)

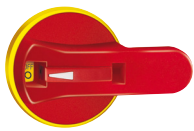
#### Handles and Shaft extension



GEX...D - GEX...E



GEX6 2NE



GAX66



GEX6 6N



GEX6 8N



GEX6 7NB



GAX7...A



GEX7...

new

new

new

new

new

new

new

Order code	Characteristics	Qty per pkg	Wt
		n°	[kg]

**DIRECT OPERATING LEVER HANDLE, PADLOCKABLE ①.**  
Rotating type with screw fixing on switch disconnector.  
Complete with shaft insert.

GEX6 1D	95mm/3.7" black	1	0.340
GEX6 1E	50mm/2" black	1	0.052
GEX6 2D	105mm/4.1" black	1	0.268
GEX6 2NE	143mm/5.6" black	1	0.266
GEX6 3D	145mm/5.7" black	1	0.536
GEX6 3NE	360mm/14.2" black	1	0.424
GEX6 4D	360mm/14.2" black	1	0.612
GEX6 4NE	396mm/15.6" black	1	0.612
GEX6 5D	50mm/2" black	1	0.054
GEX6 6ND	115mm/4.5" black	1	0.216
GEX6 7ND	143mm/5.6" black	1	0.322
GEX6 8ND	396mm/15.6" black	1	0.328

**DOOR COUPLING LEVER HANDLE, PADLOCKABLE ①.**  
Red/yellow rotating type with screw fixing on door.  
Shaft extension to order separately.

GAX66 ②	Pistol grip, 65mm/2.6" □7mm/0.3" ②. IEC IP66	1	0.140
GEX6 1N	94mm/3.7" □7mm/0.3".	1	0.326
GEX6 6N	115mm/4.5" □10mm/0.4". IEC IP65	1	0.248
GEX6 7N	143mm/5.6" □14mm/0.6". IEC IP65	1	0.302
GEX6 8N	396mm/15.6" □14mm/0.6". IEC IP65	1	0.312

**DOOR COUPLING LEVER HANDLE, PADLOCKABLE ①.**  
Black rotating type with screw fixing on door.  
Shaft extension to order separately.

GAX66 B ②	Pistol grip, 65mm/2.6" □7mm/0.3" ②. IEC IP66	1	0.075
GEX6 1NB	94mm/3.7" □7mm/0.3". IEC IP65	1	0.334
GEX6 1NC	94mm/3.7" □7mm/0.3". IEC IP65	1	0.074
GEX6 2NC	143mm/5.6" □10mm/0.4". IEC IP65	1	0.252
GEX6 3NC	176mm/6.9" □14mm/0.6". IEC IP65	1	0.302
GEX6 4NC	396mm/15.6" □14mm/0.6". IEC IP65	1	0.488
GEX6 6NB	115mm/4.5" □10mm/0.4". IEC IP65	1	0.246
GEX6 7NB	143mm/5.6" □14mm/0.6". IEC IP65	1	0.298
GEX6 8NB	396mm/15.6" □14mm/0.6". IEC IP65	1	0.310

SHAFT EXTENSION for door coupling lever handles.

GAX7 150A	150mm/5.9in; □7mm/0.3"	1	0.090
GAX7 200A	200mm/7.9in; □7mm/0.3"	1	0.112
GAX7 300A	300mm/11.8in; □7mm/0.3"	1	0.160
GEX7 162N	177mm/6.97"; □7mm/0.3"	1	0.056
GEX7 195N	195mm/7.7"; □14mm/0.6"	1	0.248
GEX7 227N	227mm/8.9"; □10mm/0.4"	1	0.154
GEX7 239N	239mm/9.4"; □14mm/0.6"	1	0.310
GEX7 250N	250mm/9.8"; □7mm/0.3"	1	0.084
GEX7 345N	345mm/13.6"; □14mm/0.6"	1	0.480
GEX7 375N	375mm/14.7"; □10mm/0.4"	1	0.274
GEX7 387N	387mm/15.2"; □7mm/0.3"	1	0.142
GEX7 536N	536mm/21.1"; □10mm/0.4"	1	0.408
GEX7 535N	535mm/21.06"; □14mm/0.6"	1	0.784
GEX7 485N	485mm/19.1"; □14mm/0.6"	1	0.930

#### Certifications and compliance

Certifications obtained: EAC for all types; cULus to UL98 / CSA C22.2 n°4 for GAX66... and GAX7...A types

Compliant with standards: IEC/EN 60947-1, IEC/EN 60947-3.

Handle shape and length	Type of handle
50mm (2")	GEX61E-GEX65D
65mm (2.6")	GAX66-GAX66B
94mm (3.7")	GEX61N-GEX61NB GEX61NC
95mm (3.74")	GEX61D
105mm (4.1")	GEX62D
115mm (4.5")	GEX66ND-GEX66NB GEX66N
143mm (5.6")	GEX62NC-GEX62NE GEX67N-GEX67NB GEX67ND
176mm (6.9")	GEX63NC-GEX63NE
245mm (9.6")	2-hand GEX63D
360mm (14.2")	2-hand GEX64D
396mm (15.6")	2-hand GEX64NC-GEX64NE GEX68N-GEX68NB GEX68ND

① See tables on pages 3-16 to 3-20 for the correct choice based on the switch disconnector type used.

② Use with GAX7...A extension types only.

For the correct choice of handle and shaft extension for the switch disconnector, refer to tables on pages 3-16 to 3-20.



### Summary table of combinations - Three and four-pole changeover switches

Type	IEC rated operational current Ie		Door-coupling handles			Shaft extension for door-coupling handles (the last 3 digits of GEX code indicate length in mm/in)		Auxiliary contacts 1NO/1NC	Motorised control unit	Terminal covers for:				
	Conventional free air thermal current Ith	AC21A (≤500V)	AC23B (≤400V)	AC23B (≤500V)	Direct operating handle	Door-coupling handles	Shaft section [mm/in]			Max panel depth [mm/in]	Line 1	Line 2	Load	
Order code	[A]	[A]	[A]	Black	Black	Red/Yellow								

Changeover switches. Three poles.


<b>GE0160 E</b>	160	160	125	<b>GEX61E</b>	<b>GEX61NC</b>	—	<b>GEX7162N</b>	7mm/	269/10.59"	<b>GEX1011M</b>	<b>GEX690C</b>	<b>GEX8101</b>	①	<b>GEX8101</b>							
<b>GE0200 E</b>	200	160	125			<b>GEX7250N</b>		0.3"	342/13.36"						<b>GEX7387N</b>	479/18.86"					
<b>GE0201 E</b>	200	160	125	<b>GEX62NE</b>	<b>GEX62NC</b>	—	<b>GEX7227N</b>	10mm/	279/10.98"	<b>GEX1011</b>	<b>GEX691C</b>	<b>GEX8212</b>	<b>GEX8211</b>	<b>GEX8311</b>							
<b>GE0250 E</b>	250	180	150			<b>GEX7375N</b>		0.4"	427/16.81"						<b>GEX7536N</b>	588/23.15"					
<b>GE0315 E</b>	315	200	160			<b>GEX63NE</b>		<b>GEX63NC</b>	—						<b>GEX7195N</b>	14mm/	257/10.12"	<b>GEX692</b>	<b>GEX8222</b>	<b>GEX8221</b>	<b>GEX8321</b>
<b>GE0400 E</b>	400	250	200						<b>GEX7345N</b>							0.6"	407/16.02"				
<b>GE0500 E</b>	500	400	250	<b>GEX64NE</b>	<b>GEX64NC</b>	—	<b>GEX7195N</b>	14mm/	280/11.02"	<b>GEX693</b>	<b>GEX8232</b>	<b>GEX8231</b>	<b>GEX8331</b>								
<b>GE0630 E</b>	630	500	315			<b>GEX7535N</b>			0.6"					430/16.93"	620/24.41"						
<b>GE0800 E</b>	800	630	400			<b>GEX7239N</b>			<b>GEX7485N</b>					14mm/	579/22.79"	<b>GEX1011M</b>	<b>GEX8141</b>	—	<b>GEX8141</b>		
<b>GE1000 E</b>	1000	1000	800	0.6"	825/32.48"																
<b>GE1250 E</b>	1250	1000	900																		

Changeover switches. Four poles.

<b>GE0160 ET4</b>	160	160	125	<b>GEX61E</b>	<b>GEX61NC</b>	—	<b>GEX7162N</b>	7mm/	269/10.59"	<b>GEX1011M</b>	<b>GEX690C</b>	<b>GEX8101</b>	①	<b>GEX8101</b>							
<b>GE0200 ET4</b>	200	160	125			<b>GEX7250N</b>		0.3"	342/13.36"						<b>GEX7387N</b>	479/18.86"					
<b>GE0201 ET4</b>	200	200	160	<b>GEX62NE</b>	<b>GEX62NC</b>	—	<b>GEX7227N</b>	10mm/	279/10.98"	<b>GEX1011</b>	<b>GEX691C</b>	<b>GEX8213</b>	<b>GEX8213</b>	<b>GEX8312</b>							
<b>GE0250 ET4</b>	250	200	160			<b>GEX7375N</b>		0.4"	427/16.81"						<b>GEX7536N</b>	588/23.15"					
<b>GE0315 ET4</b>	315	250	200			<b>GEX63NE</b>		<b>GEX63NC</b>	—						<b>GEX7195N</b>	14mm/	257/10.12"	<b>GEX692</b>	<b>GEX8223</b>	<b>GEX8223</b>	<b>GEX8322</b>
<b>GE0400 ET4</b>	400	250	200						<b>GEX7345N</b>							0.6"	407/16.02"				
<b>GE0500 ET4</b>	500	400	315	<b>GEX64NE</b>	<b>GEX64NC</b>	—	<b>GEX7195N</b>	14mm/	280/11.02"	<b>GEX693</b>	<b>GEX8233</b>	<b>GEX8233</b>	<b>GEX8332</b>								
<b>GE0630 ET4</b>	630	400	315			<b>GEX7535N</b>			0.6"					430/16.93"	620/24.41"						
<b>GE0800 ET4</b>	800	630	400			<b>GEX7239N</b>			<b>GEX7485N</b>					14mm/	579/22.79"	<b>GEX1011M</b>	<b>GEX8141</b>	—	<b>GEX8141</b>		
<b>GE1000 ET4</b>	1000	1000	800	0.6"	825/32.48"																
<b>GE1250 ET4</b>	1250	1000	900																		

① GEX8101 terminal cover protects the input of both Line 1 and Line 2.

### Summary table of combinations - Three-pole switch disconnectors

Three-pole type ①	IEC Conventional free air thermal		IEC rated operational current Ie		Direct operating handle	Door-coupling handles		Shaft extensions for door-coupling handles (the last 3 digits of GEX code indicate length in mm/in)		Auxiliary contacts 1NO/1NC (SPDT)	Type of fuse	Terminal covers for:	
	AC21A (≤500V)	AC23A (≤400V)	AC23A (≤500V)		Black	Black	Red/Yellow	Shaft section	Max panel depth			Line	Load
Order code	[A]	[A]	[A]		Order code	Order code	Order code	Order code	<input type="checkbox"/> [mm/in]	[mm/in]	Order code	Order code	Order code

#### Switch disconnectors.

GE0160 P <sup>②</sup>	160	160	125	GEX65D	GAX66B	GAX66	GAX7150A <sup>③</sup> GAX7200A <sup>③</sup> GAX7300A <sup>③</sup>	7mm/ 0.3"	214/8.42" 264/10.39" 364/14.33"	GEX1011	—	②	②
GE0160	160	160	125										
GE0200	200	160	125										
GE0250 <sup>④</sup>	250 <sup>④</sup>	160	125										
GE0251	250	250	200	GEX66ND	GEX66NB	GEX66N	GEX7227N GEX7375N GEX7536N	10mm/ 0.4"	267/10.51" 415/16.34" 576/22.68"	GEX1011	—	②	②
GE0315	315	315	250										
GE0400	400	400	315										
GE0500	500	500	400	GEX67ND	GEX67NB	GEX67N	GEX7195N GEX7345N GEX7535N	14mm/ 0.6"	251/9.88" 401/15.79" 591/23.27"	GEX1011	—	②	②
GE0630	630	630	500										
GE0800	800	630	500										
GE1000	1000	800	800	GEX68ND	GEX68NB	GEX68N	GEX7195N GEX7345N GEX7535N	14mm/ 0.6"	267/10.51" 417/16.42" 607/23.90"	GEX1011	—	②	②
GE1250	1250	800	800										
GE1600	1600	1000	900					GEX7239N GEX7485N	14mm/ 0.6"				

#### Switch disconnectors with NFC fuse holder.

GE0050 F <sup>④</sup>	50	50	50	GEX61D	GEX61NB	GEX61N	GEX7162N GEX7250N GEX7387N	7mm/ 0.3"	192/7.56" 265/10.43" 402/15.83"	GEX1011N	14x51 22x58	④	④
GE0125 F <sup>④</sup>	125	125	125										

#### Switch disconnectors with NH fuse holder.

GE0160 N	160	160	125	GEX61D	GEX61NB	GEX61N	GEX7162N GEX7250N GEX7387N	7mm/ 0.3"	192/7.56" 265/10.43" 402/15.83"	GEX1011N	00	GEX8201	GEX8201
GE0161 N	160	160	160					GEX62D	GEX66NB		GEX66N		
GE0250 N	250	250	250	GEX63D	GEX67NB	GEX67N	GEX7195N GEX7345N GEX7535N	14mm/ 0.6"	271/10.67" 421/16.57" 611/24.05"	GEX1011	1 2	GEX8221	GEX8222
GE0400 N	400	400	400										
GE0630 N	630	630	630					GEX64D	GEX68NB		GEX68N		
GE0800 N	800	630	630										

#### Switch disconnectors with BS fuse holder.

GE0160 B	160	160	160	GEX62D	GEX66NB	GEX66N	GEX7227N GEX7375N GEX7536N	10mm/ 0.4"	302/11.89" 450/17.72" 611/24.05"	GEX1011	A4 B1-B2	GEX8211	GEX8212
GE0200 B	200	200	200										
GE0250 B	250	250	250										
GE0315 B	315	315	315	GEX63D	GEX67NB	GEX67N	GEX7195N GEX7345N GEX7535N	14mm/ 0.6"	271/10.67" 421/16.57" 611/24.05"	GEX1011	B1-B2-B3 B1-B2-B3-B4	GEX8221	GEX8222
GE0400 B	400	400	400										
GE0630 B	630	630	630					GEX64D	GEX68NB		GEX68N		
GE0800 B	800	630	630										

① The motorised control unit cannot be installed.

② Standard supplied with IP20 terminal protection warranted by wired equipment with only maximum conductor section of 95mm<sup>2</sup>. Suitable for mounting on 35mm DIN (IEC/EN 60715) rail, adapters kit is available on page 3-14.

③ IEC 250A Ith; IEC 200A AC21A ≤500V.

④ Standard supplied with IEC IP20 terminal protection warranted by wired equipment with only maximum conductor section of 35mm<sup>2</sup> for GE0050 F and of 95mm<sup>2</sup> for GE0125 F.

# SWITCH DISCONNECTORS & CAM SWITCHES

GE series 50A to 1600A switch disconnectors



## Summary table of combinations - Four-pole switch disconnectors

Four-pole type ①	IEC conventional free air thermal	IEC rated operational current Ie		Direct operating handle	Door-coupling handles		Shaft extensions for door-coupling handles (the last 3 digits of GEX code indicate length in mm/in)		Auxiliary contacts 1NO/1NC (SPDT)	Type of fuse	Terminal covers for:	
		AC21A (≤500V)	AC23A (≤400V)	AC23A (≤500V)	Black	Black	Red/Yellow	Shaft section			Max panel depth	Line
Order code	[A]	[A]	[A]	Order code	Order code	Order code	Order code	[mm/in]	[mm/in]	Order code	Order code	Order code

Switch disconnectors.

<b>GE0160 T4P</b> ②	160	160	125	<b>GEX65D</b>	<b>GAX66B</b>	<b>GAX66</b>	<b>GAX7150A</b> ③ <b>GAX7200A</b> ③ <b>GAX7300A</b> ③	7mm/ 0.3"	214/8.42" 264/10.39" 364/14.33"	<b>GEX1011</b>	—	④ <b>GEX8101</b>	④ <b>GEX8101</b>
<b>GE0160 T4</b>	160	160	125										
<b>GE0200 T4</b>	200	160	125										
<b>GE0250 T4</b> ③	250	160	125										
<b>GE0251 T4</b>	250	250	200	<b>GEX66ND</b>	<b>GEX66NB</b>	<b>GEX66N</b>	<b>GEX7227N</b> <b>GEX7375N</b> <b>GEX7536N</b>	10mm/ 0.4"	267/10.51" 415/16.34" 576/22.68"			<b>GEX8111</b>	<b>GEX8111</b>
<b>GE0315 T4</b>	315	315	250										
<b>GE0400 T4</b>	400	400	315										
<b>GE0500 T4</b>	500	500	400	<b>GEX67ND</b>	<b>GEX67NB</b>	<b>GEX67N</b>	<b>GEX7195N</b> <b>GEX7345N</b> <b>GEX7535N</b>	14mm/ 0.6"	251/9.88" 401/15.79" 591/23.27"			<b>GEX8121</b>	<b>GEX8121</b>
<b>GE0630 T4</b>	630	630	500										
<b>GE0800 T4</b>	800	630	500										
<b>GE1000 T4</b>	1000	800	800	<b>GEX68ND</b>	<b>GEX68NB</b>	<b>GEX68N</b>			267/10.51" 417/16.42" 607/23.90"			<b>GEX8131</b>	<b>GEX8131</b>
<b>GE1250 T4</b>	1250	800	800										
<b>GE1600 T4</b>	1600	1000	900				<b>GEX7239N</b> <b>GEX7485N</b>	14mm/ 0.6"	399/15.71" 645/25.39"			<b>GEX8141</b>	<b>GEX8141</b>

Switch disconnectors with NFC fuse holder.

<b>GE0050 FT4</b> ④	50	50	50	<b>GEX61D</b>	<b>GEX61NB</b>	<b>GEX61N</b>	<b>GEX7162N</b> <b>GEX7250N</b> <b>GEX7387N</b>	7mm/ 0.3"	192/7.56" 265/10.43" 402/15.83"	<b>GEX1011N</b>	14x51 22x58	④	④
<b>GE0125 FT4</b> ④	125	125	125										

Switch disconnectors with NH fuse holder.

<b>GE0160 NT4</b>	160	160	125	<b>GEX61D</b>	<b>GEX61NB</b>	<b>GEX61N</b>	<b>GEX7162N</b> <b>GEX7250N</b> <b>GEX7387N</b>	7mm/ 0.3"	192/7.56" 265/10.43" 402/15.83"	<b>GEX1011N</b>	00	<b>GEX8203</b>	<b>GEX8203</b>
<b>GE0161 NT4</b>	160	160	160	<b>GEX62D</b>	<b>GEX66NB</b>	<b>GEX66N</b>	<b>GEX7227N</b> <b>GEX7375N</b> <b>GEX7536N</b>	10mm/ 0.4"	302/11.89" 450/17.72" 611/24.05"	<b>GEX1011</b>	0	<b>GEX8213</b>	<b>GEX8213</b>
<b>GE0250 NT4</b>	250	250	250	<b>GEX63D</b>	<b>GEX67NB</b>	<b>GEX67N</b>	<b>GEX7195N</b> <b>GEX7345N</b> <b>GEX7535N</b>	14mm/ 0.6"	271/10.67" 421/16.57" 611/24.05"		1	<b>GEX8223</b>	<b>GEX8223</b>
<b>GE0400 NT4</b>	400	400	400								2		
<b>GE0630 NT4</b>	630	630	630	<b>GEX64D</b>	<b>GEX68NB</b>	<b>GEX68N</b>			285/11.22" 435/17.12" 625/24.61"		3	<b>GEX8233</b>	<b>GEX8233</b>
<b>GE0800 NT4</b>	800	630	630										

Switch disconnectors with BS fuse holder.

<b>GE0160 BT4</b>	160	160	160	<b>GEX62D</b>	<b>GEX66NB</b>	<b>GEX66N</b>	<b>GEX7227N</b> <b>GEX7375N</b> <b>GEX7536N</b>	10mm/ 0.4"	302/11.89" 450/17.72" 611/24.05"	<b>GEX1011</b>	A4 B1-B2	<b>GEX8213</b>	<b>GEX8213</b>
<b>GE0200 BT4</b>	200	200	200										
<b>GE0250 BT4</b>	250	250	250										
<b>GE0315 BT4</b>	315	315	315	<b>GEX63D</b>	<b>GEX67NB</b>	<b>GEX67N</b>	<b>GEX7195N</b> <b>GEX7345N</b> <b>GEX7535N</b>	14mm/ 0.6"	271/10.67" 421/16.57" 611/24.05"		B1-B2-B3 B1-B2-B3-B4	<b>GEX8223</b>	<b>GEX8223</b>
<b>GE0400 BT4</b>	400	400	400										
<b>GE0630 BT4</b>	630	630	630	<b>GEX64D</b>	<b>GEX68NB</b>	<b>GEX68N</b>			285/11.22" 435/17.12" 625/24.61"		C1-C2 C1-C2-C3	<b>GEX8233</b>	<b>GEX8233</b>
<b>GE0800 BT4</b>	800	630	630										

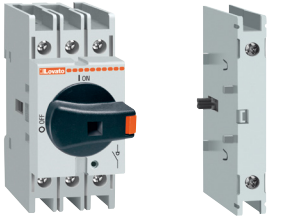
① The motorised control unit cannot be installed.

② Standard supplied with IP20 terminal protection warranted by wired equipment with only maximum conductor section of 95mm<sup>2</sup>. Suitable for mounting on 35mm DIN (IEC/EN 60715) rail, adapter kit is available on page 3-14.

③ IEC 250A Ith; IEC 200A AC21A ≤500V.

④ Standard supplied with IEC IP20 terminal protection warranted by wired equipment with only maximum conductor section of 35mm<sup>2</sup> for GE0050 FT4 and of 95mm<sup>2</sup> for GE0125 FT4.

## GA series switch disconnectors



GA040 D GAX42...D

Order code	IEC conventional free air thermal current Ith	IEC rated operational current Ie DC21B①②			Qty per pack	Wt [kg]
		3 poles	4 poles	500V		
		800V	1000V	1200V	n°	[kg]

Switch disconnector complete with black handle.

GA040 D	40	12	—	—	1	0.135
---------	----	----	---	---	---	-------

Fourth pole.

GAX42 040D	40	—	20	15	1	0.040
------------	----	---	----	----	---	-------

- ① Connection of 4 poles in series.
- ② For other operational voltages, refer to technical characteristics on [www.mechtric.com.au](http://www.mechtric.com.au)

### General characteristics

- Up to 40A, 1000VDC and 32A, 1200VDC
- Modular construction
- Jumpers for connecting the poles in series supplied as standard with disconnectors GD series...
- Available versions:
  - Direct operating
  - Door coupling. Use switch disconnector with direct actuator and separately purchase the handle and shaft extension for this version. See pages 3-5 to 3-7.
- Screw or 35mm DIN rail fixing
- Padlockable in 0 position with no extra accessory.

### Operational characteristics

- Rated insulation voltage for GA...D and GD...  
U<sub>i</sub>: 1000V (pollution degree 3)
- Rated insulation voltage for GD...  
U<sub>i</sub>: 1500V (pollution degree 2)
- Rated impulse withstand U<sub>imp</sub>: 8kV
- Mechanical life:
  - 100,000 cycles GA040 D
  - 10,000 cycles GD...
- Operating temperature: -25°C...+55°C
- Storage temperature: -40°C...+70°C
- Degree of protection: IP20.

### Certifications and compliance

Certifications obtained: EAC for GA...D; cULus according to UL508 / CSA C22.2 no. 14 for versions GA040 D and GAX42 040D.  
Compliant with standards: IEC/EN 60947-3, IEC/EN 60947-1, UL508, UL98, CSA C22.2.

Strokes of GA...D types (main poles and add-on pole)

	Travel 0→1	0°	30°	60°	90°
GA040 D Main poles				60°	
GAX420 40D Simultaneous fourth-pole add on			60°		

## GD series switch disconnectors



GD040 AT4



Order code	IEC conventional free air thermal current Ith	IEC rated operational current Ie DC21B②			Qty per pack	Wt [kg]
		800V	1000V	1200V		
		[A]	[A]	[A]	n°	[kg]

Switch disconnector complete with black handle.

GD025 AT2	25	25	16	—	1	0.100
-----------	----	----	----	---	---	-------

GD032 AT3	32	32	32	—	1	0.110
-----------	----	----	----	---	---	-------

GD040 AT4	40	40	40	32	1	0.120
-----------	----	----	----	----	---	-------

- ② For other operational voltages, refer to technical characteristics on [www.mechtric.com.au](http://www.mechtric.com.au)

## Enclosed GD series switch disconnectors type IEC/EN IP65



GAZ016 DT2



GAZ040 DT4

Order code	IEC conventional free air thermal current Ith	IEC rated operational current Ie DC21B②			Qty per pack	Wt [kg]
		800V	1000V	1200V		
		[A]	[A]	[A]	n°	[kg]

With red/yellow handle.

GAZ025 DT2	25	25	16	—	1	0.450
------------	----	----	----	---	---	-------

GAZ032 DT3	32	32	32	—	1	1.050
------------	----	----	----	---	---	-------

GAZ040 DT4	40	40	40	32	1	1.050
------------	----	----	----	----	---	-------

With black handle.

GAZ025 DT2B	25	25	16	—	1	0.450
-------------	----	----	----	---	---	-------

GAZ032 DT3B	32	32	32	—	1	1.050
-------------	----	----	----	---	---	-------

GAZ040 DT4B	40	40	40	32	1	1.050
-------------	----	----	----	----	---	-------

- ② For other operational voltages, refer to technical characteristics on [www.mechtric.com.au](http://www.mechtric.com.au)

### Components

Enclosure	Switch disconnector	Handle
GAZ1	GD025 AT2	GAX61
GAZ2③	GD032 AT3	GAX61
GAZ2③	GD040 AT4	GAX61
GAZ1B	GD025 AT2	GAX61B
GAZ2B③	GD032 AT3	GAX61B
GAZ2B③	GD040 AT4	GAX61B

- ③ For further details contact our Customer Service office 1 800 252 995 or [sales@mechtric.com.au](mailto:sales@mechtric.com.au)

### General characteristics

- Enclosure material: ABS
- Possible accessories to mount afterwards, if any required:
  - GAX30 to provide shielded cable connection continuity (e.g. with static converters)
- Padlockable handles
- Sealable cover
- Tightening torque for cover screws:
  - GAZ025...: 1.3Nm/16lbin
  - Other types: 1.5Nm/13lbin.
- Degree of protection: IP65
- Cable entries:
  - GAZ025... types: PG16/M25 and PG13.5/M20 knockouts
  - GAZ032... and GAZ040... types: PG16/M25 and PG29/M32 knockouts.

### Certifications and compliance

Certifications obtained: EAC  
Compliant with standards: IEC/EN 60947-3, IEC/EN 60947-1.

# SWITCH DISCONNECTORS & CAM SWITCHES

For photovoltaic applications



## Four-pole switch disconnectors



GE...DT4 - GE...DT4P

Order code	IEC free air thermal	IEC rated operational current Ie DC21B <sup>②③</sup>			Qty pkg	Wt per [kg]
		220V	800V	1000V		
	[A]	[A]	[A]	[A]	n°	[kg]

Version for photovoltaic applications. Separately purchase the handle and shaft extension<sup>①</sup>.

<b>GE0160 DT4</b>	160	160	70	30	1	1.000
<b>GE0160 DT4P<sup>④</sup></b>	160	160	70	30	1	1.000
<b>GE0125 DT4</b>	125	125	125	100	1	1.900
<b>GE0250 DT4</b>	250	250	250	200	1	2.000
<b>GE0315 DT4</b>	315	315	280	250	1	4.000
<b>GE0630 DT4</b>	630	630	600	500	1	4.500
<b>GE0800 DT4</b>	800	800	630	630	1	4.500
<b>GE1250 DT4</b>	1250	1250	1000	850	1	8.900

- ① Refer to the side table for the selection of the handle. A shaft insert is standard-supplied with all direct operating handles so no other shaft extension is required in this case.
- ② Connection of four poles in series.
- ③ For other operational voltages, refer to technical characteristics available at [mechtric.com.au](http://mechtric.com.au)
- ④ Standard supplied with IEC IP20 terminal protection.

### Selection of handles and accessories

Types of handle to use per type are given below. Also refer to pages 3-14 or 3-15 and at page bottom for other accessories.

Direct operating	Door coupling	
	Black	Red/yellow
GEX65D	GAX66B	GAX66
GEX66ND	GEX66NB	GEX66N
GEX67ND	GEX67NB	GEX67N
GEX68ND	GEX68NB	GEX68N

### General characteristics

- IEC 160A to 1250A ratings
- Available versions:
  - Direct operating
  - Door coupling. Use switch disconnector with direct operation and separately purchase the handle and shaft extension. See page 3-15 and at page bottom.
- Screw fixing: 35mm DIN rail mount adapter kit for GE0160 DT4P on p. 3-14
- Padlockable at 0 position with no extra accessory.

### Operational characteristics

- IEC rated insulation voltage Ui: 1000V
- Mechanical life:
  - 30,000 cycles for GE0160 DT4, GE0160 DT4P
  - 20,000 cycles for GE0125 DT4, GE0250 DT4, GE0315 DT4
  - 10,000 cycles for GE0630 DT4, GE0800 DT4, GE1250 DT4.

### Certifications and compliance

Certifications obtained: EAC.  
Compliant with standards: IEC/EN 60947-1, IEC/EN 60947-3.

For dimensions and technical data visit [mechtric.com.au](http://mechtric.com.au)

## Summary table of combinations

Four-pole type <sup>⑤</sup>	Conventional free air thermal current Ith	Rated operational current Ie DC21B <sup>③</sup>			Direct operating handle			Door-coupling handles			Shaft extension for door-coupling handles (the last 3 digits of GEX code indicate length in mm/in)		Auxiliary contacts 1NO/1NC (SPDT)	Terminal covers for:	
		600V	800V	1000V	Black	Black	Red/Yellow	Shaft section	Max panel depth	Line	Load				
Order code	[A]	[A]	[A]	[A]	Order code	Order code	Order code	Order code	[mm/in]	[mm/in]	Order code	Order code	Order code		
<b>GE0160 DT4</b>	160	160	70	30	<b>GEX65D</b>	<b>GAX66B</b>	<b>GAX66</b>	<b>GAX7150A</b>	7mm/0.3"	214/8.42"	<b>GEX1011</b>	<b>GEX8101</b>	<b>GEX8101</b>		
<b>GE0160 DT4P<sup>④</sup></b>	160	160	70	30				<b>GAX7200A</b>		236/9.29"		<sup>⑦</sup>	<sup>⑦</sup>		
								<b>GAX7300A</b>		336/13.22"					
<b>GE0125 DT4</b>	125	125	125	100	<b>GEX66ND</b>	<b>GEX66NB</b>	<b>GEX66N</b>	<b>GEX7227N</b>	10mm/0.4"	267/10.51"		<b>GEX8111</b>	<b>GEX8111</b>		
<b>GE0250 DT4</b>	250	250	250	200				<b>GEX7375N</b>		415/16.34"					
<b>GE0315 DT4</b>	315	315	280	250				<b>GEX7536N</b>		576/22.68"					
<b>GE0630 DT4</b>	630	630	600	500	<b>GEX67ND</b>	<b>GEX67NB</b>	<b>GEX67N</b>	<b>GEX7195N</b>	14mm/0.8"	251/9.88"		<b>GEX8121</b>	<b>GEX8121</b>		
<b>GE0800 DT4</b>	800	800	630	630				<b>GEX7345N</b>		401/15.79"					
								<b>GEX7535N</b>		591/23.27"					
<b>GE1250 DT4</b>	1250	1250	1000	850	<b>GEX68ND</b>	<b>GEX68NB</b>	<b>GEX68N</b>			267/10.51"		<b>GEX8131</b>	<b>GEX8131</b>		
										417/16.42"					
										607/23.90"					

⑤ The motorised control unit cannot be installed.

③ Connection of four poles in series.

④ Standard supplied with IEC IP20 terminal protection warranted by wired equipment with only maximum conductor section of 95mm<sup>2</sup>. Suitable for mounting on 35mm DIN (IEC/EN 60715) rail, adapter kit is available on page 3-14.

### U version front mounting. ON/OFF switches



Order code	Rated current AC1	Front plate size	Qty per pkg	Weight
	[A]	[mm]	n°	[kg]

#### ON/OFF SWITCHES.

One-pole – 1 wafer – scheme 90.

<b>GX16 90 U</b>	16	□ 48	1	0.093
<b>GX20 90 U</b>	20	□ 48	1	0.096
<b>GX32 90 U</b>	32	□ 65	1	0.222
<b>GX40 90 U</b>	40	□ 65	1	0.223

Two-pole – 1 wafer – scheme 91.

<b>GX16 91 U</b>	16	□ 48	1	0.097
<b>GX20 91 U</b>	20	□ 48	1	0.101
<b>GX32 91 U</b>	32	□ 65	1	0.244
<b>GX40 91 U</b>	40	□ 65	1	0.256

Three-pole – 2 wafers – scheme 10.

<b>GX16 10 U</b>	16	□ 48	1	0.113
<b>GX20 10 U</b>	20	□ 48	1	0.120
<b>GX32 10 U</b>	32	□ 65	1	0.296
<b>GX40 10 U</b>	40	□ 65	1	0.312

Four-pole – 2 wafers – scheme 92.

<b>GX16 92 U</b>	16	□ 48	1	0.110
<b>GX20 92 U</b>	20	□ 48	1	0.124
<b>GX32 92 U</b>	32	□ 65	1	0.301
<b>GX40 92 U</b>	40	□ 65	1	0.326

#### General characteristics

- 16 to 40A conventional free air thermal current Ith ratings
- Extended mechanical and electrical life
- Rotation angles: 30°, 45°, 60° and 90°
- Silver-alloy dual-breaking contacts
- Direct opening action ⊖; safety function according to IEC/EN 60947-5-1
- IP65 front degree of protection; IP20 protection of contacts
- Legend marking is standard supplied as illustrated in the order code table; any other on request.

#### Selection guide

See [www.mechtric.com.au](http://www.mechtric.com.au)

#### Optional

Enlarged front plate for GX16-GX20 (65x65mm instead of standard 48x48):

Add "H" after the switch rating in the order code  
E.g. GX16H 10 U.

Enlarged front plate for GX32-GX40 (90x90mm instead of standard 65x65):

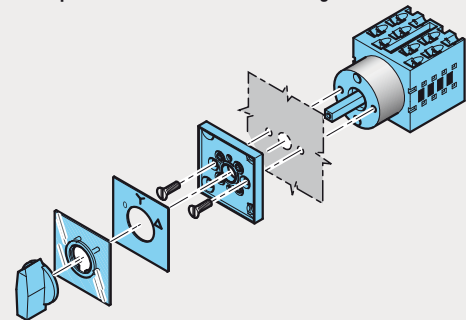
Add "H" after the switch rating in the order code  
E.g. GX32H 10 U.

#### Special versions

In addition to standard types, particular versions are available with special operating circuit schemes.

A special circuit scheme form is available from [mechtric.com.au](http://mechtric.com.au)

#### Example of U version switch mounting



#### Certifications and compliance

Certifications obtained: cULus, GOST.  
Compliant with standards: IEC/EN 60947-1, IEC/EN 60947-3, IEC/EN 60947-5-1, IEC/EN 61058-1, UL508, CSA C22.2 n° 14.

For dimensions and technical data visit [mechtric.com.au](http://mechtric.com.au)

**U version front mounting.**  
**Changeover switches with 0 position.**  
**Changeover switches without 0 position**



Order code	Rated current AC1	Front plate size	Qty per pkg	Weight
	[A]	[mm]	n°	[kg]
<b>CHANGEOVER SWITCHES WITH 0.</b>				
One-pole – 1 wafer – scheme 51.				
<b>GX16 51 U</b>	16	□ 48	1	0.097
<b>GX20 51 U</b>	20	□ 48	1	0.101
<b>GX32 51 U</b>	32	□ 65	1	0.236
<b>GX40 51 U</b>	40	□ 65	1	0.239
Two-pole – 2 wafers – scheme 52.				
<b>GX16 52 U</b>	16	□ 48	1	0.120
<b>GX20 52 U</b>	20	□ 48	1	0.124
<b>GX32 52 U</b>	32	□ 65	1	0.309
<b>GX40 52 U</b>	40	□ 65	1	0.326
Three-pole – 3 wafers – scheme 53.				
<b>GX16 53 U</b>	16	□ 48	1	0.138
<b>GX20 53 U</b>	20	□ 48	1	0.146
<b>GX32 53 U</b>	32	□ 65	1	0.371
<b>GX40 53 U</b>	40	□ 65	1	0.402
Four-pole – 4 wafers – scheme 75.				
<b>GX16 75 U</b>	16	□ 48	1	0.157
<b>GX20 75 U</b>	20	□ 48	1	0.171
<b>GX32 75 U</b>	32	□ 65	1	0.440
<b>GX40 75 U</b>	40	□ 65	1	0.472
<b>CHANGEOVER SWITCHES WITHOUT 0.</b>				
One-pole – 1 wafer – scheme 54.				
<b>GX16 54 U</b>	16	□ 48	1	0.098
<b>GX20 54 U</b>	20	□ 48	1	0.102
<b>GX32 54 U</b>	32	□ 65	1	0.121
Two-pole – 2 wafers – scheme 55.				
<b>GX16 55 U</b>	16	□ 48	1	0.117
<b>GX20 55 U</b>	20	□ 48	1	0.126
<b>GX32 55 U</b>	32	□ 65	1	0.155
Three-pole – 3 wafers – scheme 56.				
<b>GX16 56 U</b>	16	□ 48	1	0.137
<b>GX20 56 U</b>	20	□ 48	1	0.146
<b>GX32 56 U</b>	32	□ 65	1	0.186
Four-pole – 4 wafers – scheme 69.				
<b>GX16 69 U</b>	16	□ 48	1	0.158
<b>GX20 69 U</b>	20	□ 48	1	0.171
<b>GX32 69 U</b>	32	□ 65	1	0.224

### General characteristics

- 16 to 40A conventional free air thermal current Ith ratings
- Extended mechanical and electrical life
- Rotation angles: 30°, 45°, 60° and 90°
- Silver-alloy dual-breaking contacts
- Direct opening action ⚡; safety function according to IEC/EN 60947-5-1
- IP65 front degree of protection; IP20 protection of contacts
- Legend marking is standard supplied as illustrated in the order code table; any other on request.

### Selection guide

See [www.mechtronic.com.au](http://www.mechtronic.com.au)

### Optional

Enlarged front plate for GX16-GX20 (65x65mm instead of standard 48x48):

Add "H" after the switch rating in the order code  
E.g. GX16H 52 U.

Enlarged front plate for GX32-GX40 (90x90mm instead of standard 65x65):

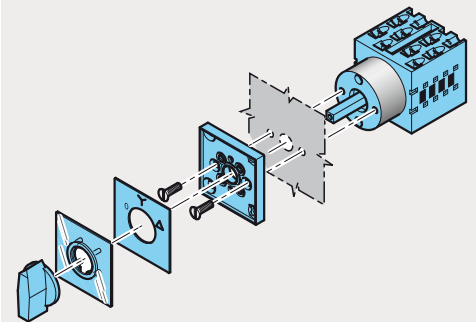
Add "H" after the switch rating in the order code  
E.g. GX32H 52 U.

### Special versions

In addition to standard types, particular versions are available with special operating circuit schemes.

A special circuit scheme form is available from [mechtronic.com.au](http://mechtronic.com.au)

### Example of U version switch mounting



### Certifications and compliance

Certifications obtained: cULus, GOST.

Compliant with standards: IEC/EN 60947-1, IEC/EN 60947-3, IEC/EN 60947-5-1, IEC/EN 61058-1, UL508, CSA C22.2 n° 14.

For dimensions and technical data visit [mechtronic.com.au](http://mechtronic.com.au)

### U version front mounting. Motor switches



Order code	Ith AC1	Max power AC23A	Front plate size	Qty per pkg	Wt.
	[A]	[kW]	[mm]	n°	[kg]

#### MOTOR SWITCHES.

Reversing switches. Three-pole – 3 wafers – scheme 11.

<b>GX16 11 U</b>		16	5	□ 48	1	0.133
<b>GX20 11 U</b>		20	7.5	□ 48	1	0.141
<b>GX32 11 U</b>		32	15	□ 65	1	0.362
<b>GX40 11 U</b>		40	15	□ 65	1	0.383

Pole-changing switches. 4 wafers – scheme 13.

<b>GX16 13 U</b>		16	5	□ 48	1	0.161
<b>GX20 13 U</b>		20	7.5	□ 48	1	0.171
<b>GX32 13 U</b>		32	15	□ 65	1	0.447
<b>GX40 13 U</b>		40	15	□ 65	1	0.478

Star-delta switches. 4 wafers – scheme 12.

<b>GX16 12 U</b>		16	5	□ 48	1	0.158
<b>GX20 12 U</b>		20	7.5	□ 48	1	0.171
<b>GX32 12 U</b>		32	15	□ 65	1	0.448
<b>GX40 12 U</b>		40	15	□ 65	1	0.478

3-pole motor reversing switches with spring return to 0.  
3 wafers – scheme 26.

<b>GX16 26 U</b>		16	5	□ 48	1	0.134
<b>GX20 26 U</b>		20	7.5	□ 48	1	0.141
<b>GX32 26 U</b>		32	15	□ 65	1	0.185

#### General characteristics

- 16 to 40A conventional free air thermal current Ith ratings
- Extended mechanical and electrical life
- Rotation angles: 30°, 45°, 60° and 90°
- Silver-alloy dual-breaking contacts
- Direct opening action ⊖; safety function according to IEC/EN 60947-5-1
- IP65 front degree of protection; IP20 degree of protection of contacts
- Legend marking is standard supplied as illustrated in the order code table; any other on request.

#### Selection

See [www.mechtric.com.au](http://www.mechtric.com.au)

#### Optional

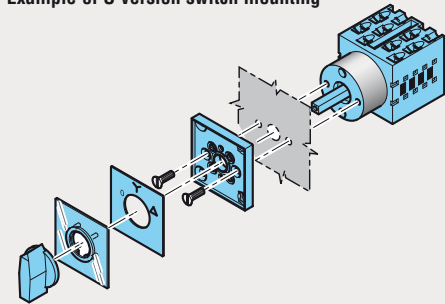
Enlarged front plate for GX16-GX20 (65x65mm instead of standard 48x48): Add "H" after the switch rating in the order code E.g. GX16H 11 U.

Enlarged front plate for GX32-GX40 (90x90mm instead of standard 65x65): Add "H" after the switch rating in the order code E.g. GX32H 11 U.

#### Special versions

In addition to standard types, particular versions are available with special operating circuit schemes. A special circuit scheme form is available from [mechtric.com.au](http://mechtric.com.au)

#### Example of U version switch mounting



#### Certifications and compliance

Certifications obtained: cULus, GOST.  
Compliant with standards: IEC/EN 60947-1, IEC/EN 60947-3, IEC/EN 60947-5-1, IEC/EN 61058-1, UL508, CSA C22.2 n° 14.

For dimensions and technical data visit [mechtric.com.au](http://mechtric.com.au)

### U version front mounting. Voltmeter switches. Ammeter switches



Order code	Rated current AC1	Front plate size	Qty per pkg	Weight
	[A]	[mm]	n°	[kg]

#### VOLTMETER SWITCHES.

Phase-Neutral L1-N/L2-N/L3-N – 2 wafers – scheme 68.

<b>GX16 68 U</b>		16	□ 48	1	0.118
------------------	--	----	------	---	-------

Phase-Phase L1-L2/L2-L3/L3-L1 – 2 wafers – scheme 67.

<b>GX16 67 U</b>		16	□ 48	1	0.118
------------------	--	----	------	---	-------

For 3 phase to phase voltage and 3 phase voltage readings  
3 wafers – scheme 66.

<b>GX16 66 U</b>		16	□ 48	1	0.128
------------------	--	----	------	---	-------

For 1 phase voltage and 3 phase to phase voltage readings  
3 wafers – scheme 60.

<b>GX16 60 U</b>		16	□ 48	1	0.133
------------------	--	----	------	---	-------

#### AMMETER SWITCHES.

Direct L1-L2-L3 current readings – 5 wafers – scheme 97.

<b>GX16 97 U</b>		16	□ 48	1	0.169
------------------	--	----	------	---	-------

For L1-L2-L3 readings via 3 CTs – 3 wafers – scheme 98.

<b>GX16 98 U</b>		16	□ 48	1	0.146
------------------	--	----	------	---	-------

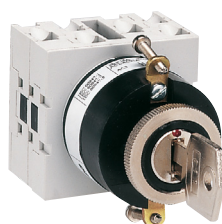


### U11 version front mounting with handle operation, for central 22mm fixing. ON/OFF switches



Order code		Rated current AC1	Front plate size	Qty per pkg	Weight
		[A]	[mm]	n°	[kg]
ON/OFF SWITCHES. One-pole – 1 wafer – scheme 90.					
GX16 90 U11		16	—	1	0.097
Two-pole – 1 wafer – scheme 91.					
GX16 91 U11		16	—	1	0.100
Three-pole – 2 wafers – scheme 10.					
GX16 10 U11		16	—	1	0.116
Four-pole – 2 wafers – scheme 92.					
GX16 92 U11		16	—	1	0.118

### U12 version front mounting with key operation, for central 22mm fixing. ON/OFF switches



Order code		Rated current AC1	Front plate size	Qty per pkg	Weight
		[A]	[mm]	n°	[kg]
ON/OFF SWITCHES. One-pole – 1 wafer – scheme 90.					
GX16 90 U12		16	—	1	0.126
Two-pole – 1 wafer – scheme 91.					
GX16 91 U12		16	—	1	0.137
Three-pole – 2 wafers – scheme 10.					
GX16 10 U12		16	—	1	0.165
Four-pole – 2 wafers – scheme 92.					
GX16 92 U12		16	—	1	0.169

### U25-U65 versions front mounting with red/yellow padlock system. ON/OFF switches



Order code		Rated current AC1	Front plate size	Qty per pkg	Weight
		[A]	[mm]	n°	[kg]
ON/OFF SWITCHES. Three-pole – 2 wafers – scheme 10.					
GX16 10 U25		16	□ 48	1	0.207
GX20 10 U25		20	□ 48	1	0.212
GX32 10 U25		32	□ 65	1	0.361
GX40 10 U65		40	□ 65	1	0.383
Four-pole – 2 wafers – scheme 92.					
GX16 92 U25		16	□ 48	1	0.211
GX20 92 U25		20	□ 48	1	0.218
GX32 92 U25		32	□ 65	1	0.371
GX40 92 U65		40	□ 65	1	0.388

#### General characteristics

- 16 to 40A conventional free air thermal current Ith ratings
- Extended mechanical and electrical life
- Rotation angles: 30°, 45°, 60° and 90°
- Silver-alloy dual-breaking contacts
- Direct opening action (⊖); safety function according to IEC/EN 60947-5-1
- IP65 front degree of protection for U25 and U65, IP40 for U11 and U12; IP20 protection of contacts
- Legend marking for U11 and U12 versions is only for reference while for U25 and U65 types standard supplied as illustrated in the order code table; any other on request.

#### Selection

See [www.mechtronic.com.au](http://www.mechtronic.com.au)

#### Optional

Enlarged front plate for GX16-GX20 (65x65mm instead of standard 48x48):

Add "H" after the switch rating in the order code  
E.g. GX16H 10 U25.

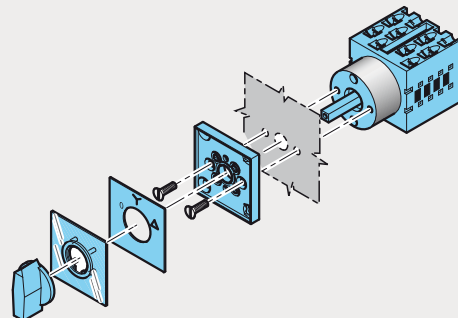
Enlarged front plate for GX32-GX40 (90x90mm instead of standard 65x65):

Add "H" after the switch rating in the order code  
E.g. GX32H 10 U25.

#### Special versions

In addition to standard types, particular versions are available with special operating circuit schemes. A special circuit scheme form is available from [mechtronic.com.au](http://mechtronic.com.au)

#### Example of U25-U65 switch mounting



#### Certifications and compliance

Certifications obtained: cULus, GOST.  
Compliant with standards: IEC/EN 60947-1, IEC/EN 60947-3, IEC/EN 60947-5-1, IEC/EN 61058-1, UL508, CSA C22.2 n° 14.

For dimensions and technical data visit [mechtronic.com.au](http://mechtronic.com.au)

**U47 version**  
front snap on mount  
with handle operation,  
for Ø22mm/Ø0.88" fixing.  
ON/OFF switches



**new**

Order code	IEC current AC1 [A]	Front plate size [mm]	Qty per pkg n°	Weight [kg]
ON/OFF SWITCHES.				
One-pole – 1 wafer – scheme 90.				
<b>GX20 90 U47</b>	20	48	1	0.100
Two-pole – 1 wafer – scheme 91.				
<b>GX20 91 U47</b>	20	48	1	0.100
Three-pole – 2 wafers – scheme 10.				
<b>GX20 10 U47</b>	20	48	1	0.120
Four-pole – 2 wafers – scheme 92.				
<b>GX20 92 U47</b>	20	48	1	0.123

### General characteristics

- IEC 20A conventional free air thermal current Ith ratings
- Conductivity: 10mA 5V
- Extended mechanical and electrical life
- Rotation angles: 30°, 45°, 60° and 90°
- Silver-alloy dual-breaking contacts
- Direct (positive) opening action ⊖; safety function according to IEC/EN 60947-5-1
- IEC IP65 front degree of protection; IEC IP20 protection of contacts.

### Selection

See [www.mechtric.com.au](http://www.mechtric.com.au)

### Optional

Enlarged front plate for GX20 (65x65mm instead of standard 48x48):  
Add "H" after the switch rating in the order code  
E.g. GX20H 10 U47.

### Special versions

In addition to standard types, particular versions are available with special operating circuit schemes.  
A special circuit scheme form is available from [mechtric.com.au](http://mechtric.com.au)

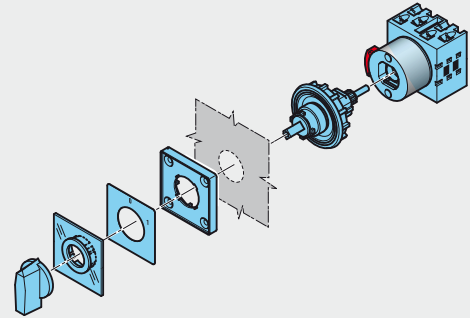
**U29D version**  
front snap on mount  
with key operation,  
for Ø22mm/Ø0.88" fixing.  
ON/OFF switches



**new**

Order code	IEC current AC1 [A]	Front plate size [mm]	Qty per pkg n°	Weight [kg]
ON/OFF SWITCHES.				
One-pole – 1 wafer – scheme 90.				
<b>GX20 90 U29D</b>	20	48	1	0.122
Two-pole – 1 wafer – scheme 91.				
<b>GX20 91 U29D</b>	20	48	1	0.122
Three-pole – 2 wafers – scheme 10.				
<b>GX20 10 U29D</b>	20	48	1	0.140
Four-pole – 2 wafers – scheme 92.				
<b>GX20 92 U29D</b>	20	48	1	0.146

### Example of U47 switch mounting



### Certifications and compliance

Certifications obtained: EAC; UL Listed, for USA and Canada (File E155982) as Manual Motor Controllers.  
Compliant with standards: IEC/EN 60947-1, IEC/EN 60947-3, IEC/EN 60947-5-1, IEC/EN 61058-1, UL508, CSA C22.2 n°14.

Type	UL/CSA general use [A]	UL/CSA horsepower ratings						Max IEC AC23 power [kW] at 400V
		1 phase		3 phases				
		120V	230V	200V	230V	480V	600V	
GX20	15	3/4	1 1/2	1 1/2	3	5	5	7.5

### 088 - 098 versions door coupling with red/yellow padlock system. ON/OFF switches



Order code	Rated current AC1	Front plate size	Qty per pkg	Weight
	[A]	[mm]	n°	[kg]
ON/OFF SWITCHES. Three-pole – 2 wafers – scheme 10.				
<b>GX16 10 088</b>	16	□ 48	1	0.263
<b>GX20 10 088</b>	20	□ 48	1	0.289
<b>GX32 10 088</b>	32	□ 65	1	0.404
<b>GX40 10 098</b>	40	□ 65	1	0.429
Four-pole – 2 wafers – scheme 92.				
<b>GX16 92 088</b>	16	□ 48	1	0.289
<b>GX20 92 088</b>	20	□ 48	1	0.302
<b>GX32 92 088</b>	32	□ 65	1	0.427
<b>GX40 92 098</b>	40	□ 65	1	0.445

#### General characteristics

- 16 to 40A conventional free air thermal current Ith ratings
- Extended mechanical and electrical life
- Rotation angles: 30°, 45°, 60° and 90°
- Silver-alloy dual-breaking contacts
- Direct opening action ⊖; safety function according to IEC/EN 60947-5-1
- IP65 front degree of protection; IP20 degree of protection of contacts
- Legend marking is standard supplied as illustrated in the order code table; any other on request.

#### Selection

See [www.mechtronic.com.au](http://www.mechtronic.com.au)

#### Optional

Enlarged front plate for GX16-GX20 (65x65mm instead of standard 48x48):

Add "H" after the switch rating in the order code  
E.g. GX16H 10 088.

Enlarged front plate for GX32-GX40 (90x90mm instead of standard 65x65):

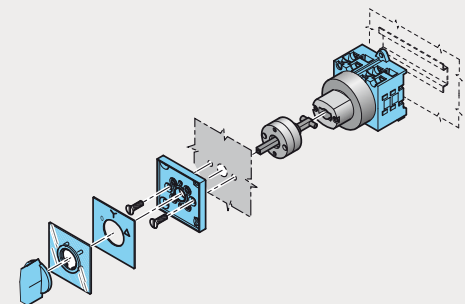
Add "H" after the switch rating in the order code  
E.g. GX32H 10 088.

#### Special versions

In addition to standard types, particular versions are available with special operating circuit schemes.

A special circuit scheme form is available from [mechtronic.com.au](http://mechtronic.com.au)

#### Example of 0 version switch mounting



#### Certifications and compliance

Certifications obtained: cULus, GOST.

Compliant with standards: IEC/EN 60947-1, IEC/EN 60947-3, IEC/EN 60947-5-1, IEC/EN 61058-1, UL508, CSA C22.2 n° 14.

For dimensions and technical data visit [mechtronic.com.au](http://mechtronic.com.au)

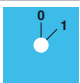
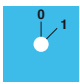

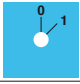
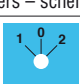
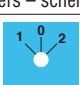
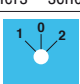
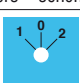
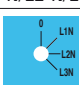
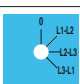
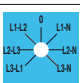
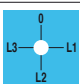
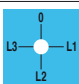
### 068 - 078 versions door coupling. ON/OFF switches



Order code	Rated current AC1	Front plate size	Qty per pkg	Weight
	[A]	[mm]	n°	[kg]
ON/OFF SWITCHES. Three-pole – 2 wafers – scheme 10.				
<b>GX16 10 068</b>	16	□ 48	1	0.219
<b>GX20 10 068</b>	20	□ 48	1	0.227
<b>GX32 10 068</b>	32	□ 65	1	0.431
<b>GX40 10 078</b>	40	□ 65	1	0.404
Four-pole – 2 wafers – scheme 92.				
<b>GX16 92 068</b>	16	□ 48	1	0.219
<b>GX20 92 068</b>	20	□ 48	1	0.230
<b>GX32 92 068</b>	32	□ 65	1	0.445
<b>GX40 92 078</b>	40	□ 65	1	0.447

**048 version modular,  
35mm DIN rail mounting.  
ON/OFF switches.  
Changeover switches.  
Voltmeter switches.  
Ammeter switches.**



Order code		Rated current AC1 [A]	Front plate size [mm]	Qty per pkg n°	Weight [kg]
<b>ON/OFF SWITCHES.</b>					
One-pole – 3 wafers – scheme 90.					
<b>GX16 90 048</b>		16	45x54	1	0.124
Two-pole – 3 wafers – scheme 91.					
<b>GX16 91 048</b>		16	45x54	1	0.130
Three-pole – 3 wafers – scheme 10.					
<b>GX16 10 048</b>		16	45x54	1	0.145
Four-pole – 3 wafers – scheme 92.					
<b>GX16 92 048</b>		16	45x54	1	0.147
<b>CHANGEOVER SWITCHES WITH 0.</b>					
One-pole – 3 wafers – scheme 51.					
<b>GX16 51 048</b>		16	45x54	1	0.132
Two-pole – 3 wafers – scheme 52.					
<b>GX16 52 048</b>		16	45x54	1	0.150
Three-pole – 3 wafers – scheme 53.					
<b>GX16 53 048</b>		16	45x54	1	0.175
Four-pole – 4 wafers – scheme 75.					
<b>GX16 75 048</b>		16	45x54	1	0.192
<b>VOLTMETER SWITCHES.</b>					
Phase-Neutral L1-N/L2-N/L3-N – 3 wafers – scheme 68.					
<b>GX16 68 048</b>		16	45x54	1	0.150
Phase-Phase L1-L2/L2-L3/L3-L1 – 3 wafers – scheme 67.					
<b>GX16 67 048</b>		16	45x54	1	0.150
For 3 phase to phase voltage and 3 phase voltage readings 3 wafers – scheme 66					
<b>GX16 66 048</b>		16	45x54	1	0.175
<b>AMMETER SWITCHES.</b>					
Direct L1-L2-L3 current readings – 5 wafers – scheme 97.					
<b>GX16 97 048</b>		16	45x54	1	0.212
For L1-L2-L3 readings via 3 CTs – 4 wafers – scheme 98.					
<b>GX16 98 048</b>		16	45x54	1	0.171

#### General characteristics

- 16A conventional free air thermal current Ith ratings
- Extended mechanical and electrical life
- Rotation angles: 30°, 45°, 60° and 90°
- Silver-alloy dual-breaking contacts
- Direct opening action  $\ominus$ ; safety function according to IEC/EN 60947-5-1
- IP40 front degree of protection; IP20 degree of protection of contacts
- Suitable for screw fixing or mounting on 35mm DIN rail (IEC/EN 60175)
- Legend marking is standard supplied as illustrated in the order code table; any other on request.

#### Selection guide

See [www.mechtric.com.au](http://www.mechtric.com.au)

#### Special versions

In addition to standard types, particular versions are available with special operating circuit schemes. A special circuit scheme form is available from [mechtric.com.au](http://mechtric.com.au)

#### Certifications and compliance

Certifications obtained: cULus, GOST.  
Compliant with standards: IEC/EN 60947-1, IEC/EN 60947-3, IEC/EN 60947-5-1, IEC/EN 61058-1, UL508, CSA C22.2 n° 14.

For dimensions and technical data visit [mechtric.com.au](http://mechtric.com.au)

# SWITCH DISCONNECTORS & CAM SWITCHES

16A to 125A switch disconnectors

Three pole - Fourth pole add on



**P version in enclosure with rotating handle. ON/OFF switches. Changeover switches**



Order code	IEC current AC1	Housing size	Qty per pkg	Wt
	[A]	[mm]	n°	[kg]

ON/OFF SWITCHES.  
Three poles - scheme 10.

Order code	IEC current AC1	Housing size	Qty per pkg	Wt
GX16 10 P	16	90x90	1	0.330
GX20 10 P	20	90x90	1	0.330
GX32 10 P	32	110x110	1	0.560
GX40 10 P	40	110x110	1	0.560



ON/OFF SWITCHES.  
Four poles - scheme 92.

Order code	IEC current AC1	Housing size	Qty per pkg	Wt
GX16 92 P	16	90x90	1	0.340
GX20 92 P	20	90x90	1	0.340
GX32 92 P	32	110x110	1	0.575
GX40 92 P	40	110x110	1	0.575



CHANGEOVER SWITCHES.  
Three poles - scheme 53.

Order code	IEC current AC1	Housing size	Qty per pkg	Wt
GX16 53 P	16	90x90	1	0.415
GX20 53 P	20	90x90	1	0.415
GX32 53 P	32	110x110	1	0.710
GX40 53 P	40	110x110	1	0.710



Four poles - scheme 75.

Order code	IEC current AC1	Housing size	Qty per pkg	Wt
GX16 75 P	16	90x90	1	0.430
GX20 75 P	20	90x90	1	0.430
GX32 75 P	32	110x110	1	0.760
GX40 75 P	40	110x110	1	0.760



## General characteristics

- IEC 16...40A conventional free air thermal current Ith ratings
- Conductivity: 10mA 5V
- Extended mechanical and electrical life
- Rotation angles: 30°, 45°, 60° and 90°
- Silver-alloy dual-breaking contacts
- Direct (positive) opening action ⊖; safety function according to IEC/EN 60947-5-1
- IP65 degree of protection
- Top and bottom entry: 4 PG16 threaded knockouts for 90x90mm types and 4 PG21 for 110x110mm
- Legend marking is standard supplied as illustrated in the order code table; any other on request.

## Selection guide

See [www.mechtronic.com.au](http://www.mechtronic.com.au)

## Special versions

In addition to standard types, particular versions are available with special operating circuit schemes. A special circuit scheme form is available from [mechtronic.com.au](http://mechtronic.com.au)

## Certifications and compliance

Certifications obtained: EAC.  
Compliant with standards: IEC/EN 60947-1, IEC/EN 60947-3, IEC/EN 60947-5-1, IEC/EN 61058-1.

Valid for P - P25 versions:

Housing size:  
90x90mm = 3.5x3.5"  
110x110mm = 4.3x4.3"

**P version in enclosure with rotating handle. Motor switches**



Order code	Ith AC1 IEC	IEC power AC23A	Housing size	Qty per pkg	Wt.
	[A]	[A]	[mm]	n°	[kg]

MOTOR SWITCHES.  
Three-pole reversing switches - scheme 11.

Order code	Ith AC1 IEC	IEC power AC23A	Housing size	Qty per pkg	Wt.
GX16 11 P	16	5	90x90	1	0.405
GX20 11 P	20	7.5	90x90	1	0.425
GX32 11 P	32	15	110x110	1	0.695
GX40 11 P	40	15	110x110	1	0.700



**P25 version in enclosure with padlockable rotating handle. ON/OFF switches**



Order code	IEC current AC1	Housing size	Qty per pkg	Wt
	[A]	[mm]	n°	[kg]

ON/OFF SWITCHES.  
Three poles - scheme 10.

Order code	IEC current AC1	Housing size	Qty per pkg	Wt
GX16 10 P25	16	90x90	1	0.340
GX20 10 P25	20	90x90	1	0.345
GX32 10 P25	32	110x110	1	0.586



Four poles - scheme 92.

Order code	IEC current AC1	Housing size	Qty per pkg	Wt
GX16 92 P25	16	90x90	1	0.350
GX20 92 P25	20	90x90	1	0.350
GX32 92 P25	32	110x110	1	0.605



For indication and reference purposes only - No UL/CSA approval

Type	UL/CSA general use [A]	UL/CSA horsepower ratings						Max IEC AC23 power [kW] at 400V
		1 phase		3 phases				
		120V	230V	200V	230V	480V	600V	
GX16	12	3/4	1	1 1/2	3	5	5	6.5
GX20	15	3/4	1 1/2	1 1/2	3	5	5	7.5
GX32	32	1 1/2	3	3	7 1/2	15	15	15
GX40	40	2	5	5	10	15	15	18.5

### Accessories for GX switches



7 A014 - 7 AR114 - 7 A114 - 7 AR214



7 A0124 - 7 A124 - 7 AR224



7 APRBP



GX M1 - GX M2



GX M5 - GX M6



GX A01 - GX A01H - GX A11

Order code	Description	Q.ty per pkg	Weight
		n.	[kg]
Black operating handle❶.			
7 A014	For 48x48mm front plate	1	0.005
7 AR114	For GX16 - GX20 65x65mm front plate	1	0.010
7 A114	For GX32 - GX40 65x65mm front plate	1	0.010
7 AR214	For 90x90mm front plate	1	0.015
Black operating lever❶.			
7 AR124	For GX16 - GX20 65x65mm front plate	1	0.019
7 A124	For GX32 - GX40 65x65mm front plate	1	0.019
7 AR224	For 90x90mm front plate	1	0.038
Adjustable door-coupling extension shaft. 70mm long max❶.			
7 APRBP	For GX16 to GX40	1	0.027
IP40 face plate❶.			
GX M1	48x48mm blank face plate	1	0.011
GX M2	65x65mm blank face plate	1	0.027
IP40 face plate with legend plate.			
GX M5	48x60mm blank face plate with legend plate	1	0.013
GX M6	65x80mm blank face plate with legend plate	1	0.029
Padlockable handle❶.			
GX A01	48x48mm yellow/red 0-1 padlockable handle for 2-position GX16-GX20	1	0.030
GX A01H	65x65mm yellow/red 0-1 padlockable handle for 2-position GX16-GX20	1	0.047
GX A11	65x65mm yellow/red 0-1 padlockable handle for 2-position GX32-GX40	1	0.047

❶ Also suitable for GN series.

For dimensions and technical data visit [mechtric.com.au](http://mechtric.com.au)